

- GB** **Forced draught gas burners**
- E** **Quemadores de gas de aire soplado**
- PT** **Queimadores a gás com ar insuflado**

Progressive two-stage or modulating operation
Funcionamiento a dos llamas progresivas o modulante
Funcionamento a duas chamas progressivas ou modulante



CODE - CÓDIGO	MODEL - MODELO	TYPE - TIPO
3788700 - 3788710	RS 34/M MZ	874 T
3788701 - 3788711	RS 34/M MZ	874 T
3788800 - 3788810	RS 44/M MZ	875 T
3788801 - 3788811	RS 44/M MZ	875 T
3788830 - 3788840	RS 44/M MZ	875 T
3788831 - 3788841	RS 44/M MZ	875 T

DECLARATION page 1

TECHNICAL DATA 2

Structural versions 2

Gas categories 2

Accessories 3

Burner description 4

Packaging - Weight 4

Max dimensions 4

Standard equipment 4

Firing rates 5

Test boiler 5

Commercial boilers 5

Gas pressure 6

INSTALLATION 7

Working position 7

Boiler plate 7

Blast tube length 7

Fixing the burner to the boiler 7

Combustion head setting 8

Gas feeding line 9

Adjustment prior to ignition 10

Servomotor 10

Burner start-up 10

Burner ignition 10

Burner calibration: 11

Determination of output upon ignition (minimum) 11

1 - Output upon ignition (minimum) 11

2 - Maximum output 12

3 - Intermediate outputs 12

4 - Air pressure switch 13

5 - Minimum gas pressure switch 13

Flame presence check 13

Burner operation 14

Final checks 15

Maintenance 15

Switchboard maintenance 16

Fault - Probable cause - Suggested remedy 18

Normal operation / flame detection time 19

Appendix 20

Switchboard layout 22

N.B.
 Figures mentioned in the text are identified as follows:

- 1)(A) = part 1 of figure A, same page as text;
- 1)(A)p.3 = part 1 of figure A, shown on page 3.

INTRODUCTION

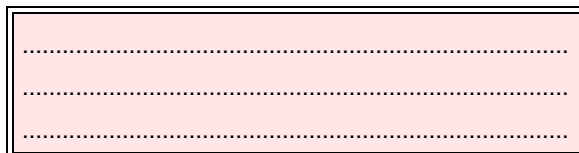
- The instruction manual supplied with the burner:
- is an integral and essential part of the product and must not be separated from it; it must therefore be kept carefully for any necessary consultation and must accompany the burner even if it is transferred to another owner or user, or to another system. If the manual is lost or damaged, another copy must be requested from the Technical Assistance Service of the area;
 - is designed for use by qualified personnel;
 - offers important indications and instructions relating to the installation safety, start-up, use and maintenance of the burner.

DELIVERY OF THE SYSTEM AND THE INSTRUCTION MANUAL

- When the system is delivered, it is important that:
- The instruction manual is supplied to the user by the system manufacturer, with the recommendation to keep it in the room where the heat generator is to be installed.
 - The instruction manual shows:
 - the serial number of the burner;



- the address and telephone number of the nearest Assistance Centre;



- The system supplier carefully informs the user about:
 - the use of the system,
 - any further tests that may be necessary before the system is started up,
 - maintenance and the need to have the system checked at least once a year by the manufacturer or another specialised technician.

To ensure a periodic check, the manufacturer recommends the drawing up of a Maintenance Contract.

Declaration of conformity in accordance with ISO / IEC 17050-1

Manufacturer: RIELLO S.p.A.
Address: Via Pilade Riello, 7
37045 Legnago (VR)
Product: Forced draught gas burners
Model: RS 34-44/M MZ

These products are in compliance with the following Technical Standards:

EN 676

EN 12100

and according to the European Directives:

GAD	90/396/EEC	Gas Devices Directive
MD	2006/42/EC	Machine Directive
LVD	2006/95/EC	Low Voltage Directive
EMC	2004/108/EC	Electromagnetic Compatibility

Such products are marked as follows:



CE-0085BR0378

The quality is guaranteed by a quality and management system certified in accordance with UNI EN ISO 9001.

Manufacturer's Declaration

RIELLO S.p.A. declares that the following products comply with the NOx emission limits specified by German standard "1. BImSchV release 26.01.2010".

Product	Type	Model	Power
Forced draught gas burners	875 T	RS 44/M MZ	80 - 550 kW

Declaration of Conformity A.R. 8/1/2004 & 17/7/2009 – Belgium

Manufacturer: RIELLO S.p.A.
37045 Legnago (VR) Italy
Tel. ++39.0442630111
www.rielloburners.com

Distributed by: RIELLO NV
Ninovesteeuweg 198
9320 Erembodegem
Tel. (053) 769 030
Fax. (053) 789 440
e-mail. info@riello.be
URL. www.riello.be

It is hereby certified that the apparatuses specified below conform with the model of the type described in the CE conformity declaration and they are produced and placed in circulation in conformity with the provisions defined in L.D. dated January 8, 2004 and July 17, 2009.

Type of product:	Forced draught gas burners	
Model:	RS 34-44/M MZ	
Regulation applied:	EN 267 and A.R. dated January 8, 2004 - July 17, 2009	
Control body:	TÜV Industrie Service GmbH TÜV SÜD Gruppe Ridlerstrasse, 65 80339 München DEUTSCHLAND	
Measured value:	RS 34/M MZ	RS 44/M MZ
	CO max: 7 mg/kWh	CO max: 2 mg/kWh
	NOx max: 103 mg/kWh	NOx max: 89 mg/kWh

Legnago, 19.11.2012

Executive Director
RIELLO S.p.A. - Burner Department
Mr. I. Zinna

Research & Development Director
RIELLO S.p.A. - Burner Department
Mr. R. Cattaneo

TECHNICAL DATA

MODEL		RS 34/M MZ		RS 44/M MZ		RS 44/M MZ	
TYPE		874 T		875 T		875 T	
OUTPUT (1) MAX.	kW	125 - 390		203 - 550		203 - 550	
	Mcal/h	108 - 336		175 - 473		175 - 473	
MIN.	kW	45		80		80	
	Mcal/h	39		69		69	
FUEL		NATURAL GAS: G20 - G21 - G22 - G23 - G25					
		G20	G25	G20	G25	G20	G25
- net calorific value	kWh/Sm ³	9.45	8.13	9.45	8.13	9.45	8.13
	Mcal/Sm ³	8.2	7.0	8.2	7.0	8.2	7.0
- absolute density	kg/Sm ³	0.71	0.78	0.71	0.78	0.71	0.78
- max. delivery	Sm ³ /h	41	48	58	67.6	58	67.6
- pressure at max. delivery (2)	mbar	13.1	18.4	16.7	23.2	16.7	23.2
OPERATION		<ul style="list-style-type: none"> • On-Off (1 stop min each 24 hours). • Progressive two-stage or modulating by kit (see ACCESSOIRES). 					
STANDARD APPLICATIONS		Boilers: water, steam, diathermic oil					
AMBIENT TEMPERATURE	°C	0 - 40					
COMBUSTION AIR TEMPERATURE	°C max	60					
ELECTRICAL SUPPLY	V Hz	230 - +/-10% 50/60 - single-phase				230 - 400 with neutral ~ +/- 10% 50/60 - three-phase	
ELECTRIC MOTOR	rpm	2800		2800		2780	
	W	300		420		450	
	V	220 - 240		220 - 240		220/240-380/415	
ACCELERATION CURRENT	A	15		17		14 - 10	
WORKING CURRENT	A	3.2		3.5		2 - 1.4	
MOTOR CAPACITOR	µF/V	12.5/260		12.5/420		-	
IGNITION TRANSFORMER	V1 - V2 I1 - I2	230 V - 1 x 15kV 1 A - 25mA					
ELECTRICAL POWER CONSUMPTION	W max	600		700		750	
PROTECTION LEVEL		IP40					
NOISE (3)	SOUND PRESSURE	68		70		70	
	SOUND POWER	79		81		81	

(1) Reference conditions: Room temperature 20°C - Gas temperature 15°C - Barometric pressure 1013 mbar - Altitude 0m above sea level.

(2) Socket pressure 7)(A)p.4 with zero pressure in the combustion chamber.

(3) Noise emission tests carried out as specified in EN 15036-1 with measurement accuracy $\sigma = \pm 1.5$ dB, in the manufacturer's combustion chamber with burner operating on test boiler at maximum output.

STRUCTURAL VERSIONS

Model	ELECTRICAL POWER SUPPLY	BLAST TUBE LENGTH mm
RS 34/M MZ	single-phase	216
	single-phase	351
RS 44/M MZ	single-phase	216
	single-phase	351
	three-phase	216
	three-phase	351

GAS CATEGORIES

DESTINATION COUNTRY	GAS CATEGORY
SE - FI - AT - GR - DK - ES - GB IT - IE - PT - IS - CH - NO	I _{2H}
DE	I _{2ELL}
NL	I _{2L}
FR	I _{2Er}
BE	I _{2E(R)B}
LU - PL	I _{2E}

ACCESSORIES (optional):

• RADIO DISTURBANCE PROTECTION KIT

If the burner is installed in places particularly subject to radio disturbance (emission of signals exceeding 10 V/m) owing to the presence of an INVERTER, or in applications where the length of the thermostat connections exceeds 20 metres, a protection kit is available as an interface between the control box and the burner.

BURNER	RS 34-44/M MZ
Code	3010386

• KIT LONG HEAD

BURNER	RS 34/M MZ	RS 44/M MZ
Code	3010428	3010429

• **KIT FOR LPG OPERATION:** the kit allows the RS 34-44/M MZ burners to burn LPG.

BURNER	RS 34/M MZ	RS 44/M MZ
Output kW	80/125 - 390 kW	120/200 - 530 kW
Blast tube length mm	216 - 351	216 - 351
Code	3010423	3010424

• KIT FOR MODULATING OPERATION

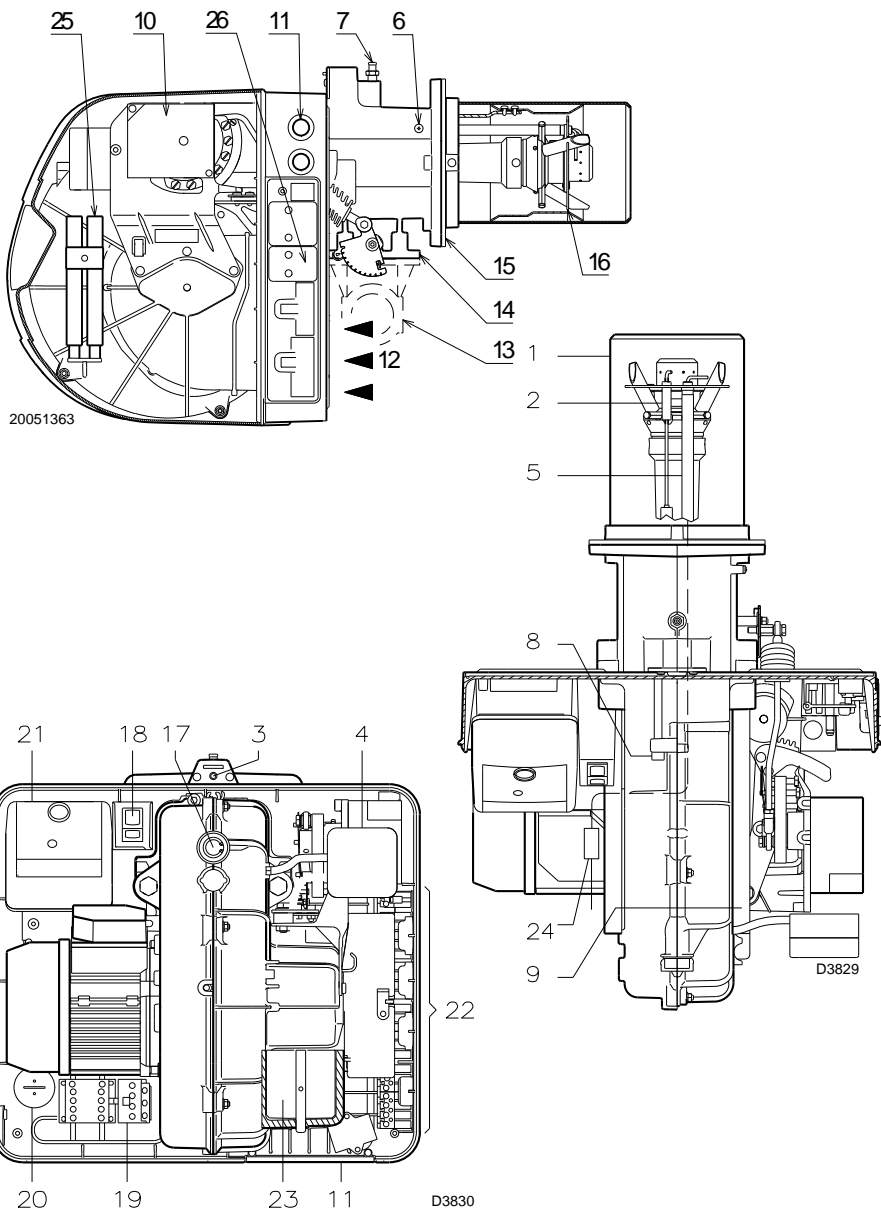
OUTPUT POWER REGULATOR KIT RWF40					OUTPUT POWER REGULATOR WITH SIGNAL 4-20 mA, 0-10V				
Two components should be ordered: • the Output power regulator to install on the burner; • the Probe to install on the heat generator					Two components should be ordered: • the Analogical signal converter; • the Potentiometer				
Parameter to control		Probe		Output power regulator		Potentiometer		Analogical Signal Converter	
	Adjustment field	Type	Code	Type	Code	Type	Code	Type	Code
Temperature	- 100...+500°C	PT 100	3010110	RWF40	3010417	ASZ...	3010420	E5202	3010410
Pressure	0...2.5 bar 0...16 bar	Output probe 4...20 mA	3010213 3010214						

• POTENTIOMETER KIT FOR THE INDICATION OF LOAD POSITION	Code 3010420
• MAXIMUM GAS PRESSURE SWITCH	Code 3010418
• KIT CLEAN CONTACTS	Code 3010419
• KIT POST-PURGING	Code 3010451

• KIT GROUND FAULT INTERRUPTER	Code 3010448
• KIT CONTINUOUS PURGING	Code 3010449
• KIT HOURCOUNTER	Code 3010450
• KIT INTERFACE ADAPTER RMG TO PC	Code 3002719

• **GAS TRAINS TO COUPLE WITH THE BURNER, ACCORDING TO REGULATION EN 676 (complete with valves, pressure adjuster and filter):** see page 9.

NOTE: The installer is responsible for the addition of any safety device not foreseen in this manual.



BURNER DESCRIPTION (A)

- 1 Combustion head
- 2 Ignition electrode
- 3 Screw for combustion head adjustment
- 4 Minimum air pressure switch (differential operating type)
- 5 Flame sensor probe
- 6 Air pressure socket
- 7 Gas pressure test point and head fixing screw
- 8 Screws securing fan to sleeve
- 9 Slide bars for opening the burner and inspecting the combustion head
- 10 Servomotor controlling the gas butterfly valve and the air damper (by means of a variable profile cam mechanism).
When the burner is stopped, the air damper will be completely closed to reduce heat loss due to the flue draught, which tends to draw air from the fan air inlet.
- 11 Areas for passage of electric cables
- 12 Air inlet to fan
- 13 Gas input pipework
- 14 Gas butterfly valve
- 15 Boiler mounting flange
- 16 Flame stability disc
- 17 Flame inspection window
- 18 Power switch for different operations:
automatic - manual - off
Button for:
power increase - power reduction
- 19 Motor contact maker and thermal cutout with reset button (RS 44/M MZ three-phase)
- 20 Motor capacitor (RS 34-44/M MZ single-phase)
- 21 Control box with lockout pilot light and lockout reset button
- 22 Sockets for electrical connection
- 23 Air damper
- 24 Plug-socket on ionisation probe cable
- 25 Guide extensions (long head version)
- 26 4-pole socket cover (see electrical panel appendix)

Two types of burner failure may occur:

- **CONTROL BOX LOCKOUT:**
if the control box 21)(A) pushbutton lights up, it indicates that the burner is in lockout. To reset, press the push button.
- **MOTOR LOCKOUT** (RS 44/M MZ three-phase):
three-phase electrical supply; to unblock, press the thermal cutout switch 19)(A).

PACKAGING - WEIGHT (B) - Approximate measurements

- The burners are shipped in cardboard boxes with the maximum dimensions shown in tab. (B).
- The weight of the burner complete with packaging is indicated in tab. (B).

MAX. DIMENSIONS (C) - approximate measurements

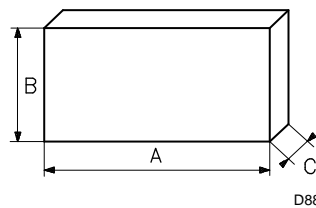
The maximum dimensions of the burner are given in (C).

Bear in mind that, in order to inspect the combustion head, the burner must be pulled back.

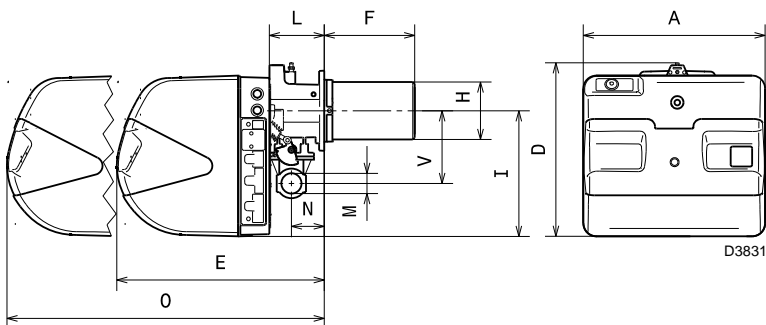
STANDARD EQUIPMENT

- 1 - Gas train flange
- 1 - Flange gasket
- 4 - Flange fixing screws M 8 x 25
- 4 - Screws to secure the burner flange to the boiler: M 8 x 25
- 1 - Thermal insulation screen
- 3 - Plugs for electrical connection (RS 34-44/M MZ single-phase)
- 4 - Plugs for electrical connection (RS 44/M MZ three-phase)
- 1 - Instruction booklet
- 1 - Spare parts list

mm	A	B	C	kg
RS 34/M MZ	1000	500	485	32
RS 44/M MZ	1000	500	485	33



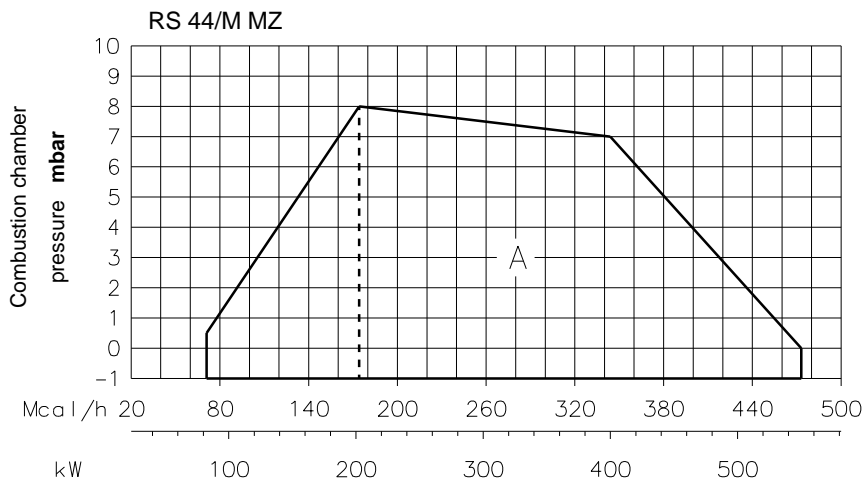
(B)



(C)

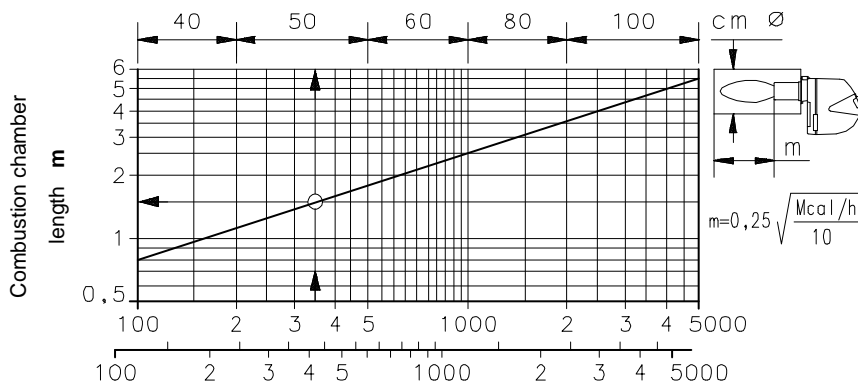
mm	A	D	E	F (1)	H	I	L	O	N	V	M
RS 34/M MZ	442	422	508	216-351	140	305	138	780	84	177	1"1/2
RS 44/M MZ	442	422	508	216-351	152	305	138	780	84	177	1"1/2

(1) Blast tube: short-long



(A)

D9304



(B)

D497

FIRING RATES (A)

During operation, burner output varies between:

- a **MAXIMUM OUTPUT**, selected within area A,
- and a **MINIMUM OUTPUT**, which must not be lower than the minimum limit in the diagram:

RS 34/M MZ = 45 kW
RS 44/M MZ = 80 kW

Important

The FIRING RATE values have been obtained considering an ambient temperature of 20°C, an atmospheric pressure of 1013 mbar (approx.0m above sea level), and with the combustion head adjusted as shown on page 8.

TEST BOILER (B)

The firing rates were set in relation to special test boilers, according to EN 676 regulations.

Figure (B) indicates the diameter and length of the test combustion chamber.

Example

Output 350 Mcal/h:
diameter = 50 cm - length 1.5 m.

COMMERCIAL BOILERS

The burner/boiler combination does not pose any problems if the boiler is CE approved and its combustion chamber dimensions are similar to those indicated in diagram (B).

If the burner must be combined with a commercial boiler that has not been CE approved and/or its combustion chamber dimensions are clearly smaller than those indicated in diagram (B), consult the manufacturer.

In addition, for inversion boilers you are advised to check the length of the combustion head, as indicated by the boiler manufacturer.

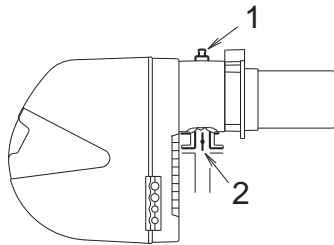
RS 34/M MZ

kW	1 Δp (mbar)	2 Δp (mbar)
	G20	G20
130	1,5	0,1
140	2,0	0,1
160	2,9	0,1
180	3,8	0,2
200	4,6	0,2
220	5,5	0,3
240	6,4	0,3
260	7,3	0,4
280	8,2	0,4
300	9,1	0,5
320	10,0	0,5
340	10,9	0,6
360	11,8	0,7
380	12,7	0,8
390	13,1	0,8

RS 44/M MZ

kW	1 Δp (mbar)	2 Δp (mbar)
	G20	G20
200	3,0	0,2
225	4,0	0,3
250	4,9	0,3
275	5,9	0,4
300	6,9	0,5
325	7,9	0,6
350	8,9	0,6
375	9,8	0,7
400	10,8	0,8
425	11,8	1,0
450	12,8	1,1
475	13,8	1,2
500	14,7	1,3
525	15,7	1,5
550	16,7	1,6

(A)



(B)

S8738

GAS PRESSURE

The adjacent tables show minimum pressure losses along the gas supply line depending on the maximum burner output operation.

Column 1

Pressure loss at combustion head.

Pressure of the gas at the socket 1)(B), with combustion chamber at 0 mbar.

Column 2

Pressure loss at gas butterfly valve 2)(B) with maximum opening: 90°.

The values shown in the various tables refer to: natural gas G 20 PCI 9.45 kWh/Sm³ (8.2 Mcal/Sm³)

Calculate the approximate maximum output of the burner in this way:

- subtract the combustion chamber pressure from the gas pressure measured at test point 1)(B).
- Find, in the table relating to the burner concerned, the pressure value closest to the result of the subtraction.
- Read the corresponding output on the left.

Example - RS 34/M MZ:

- Maximum output operation
 - Natural gas G 20 PCI 9.45 kWh/Sm³
 - Gas pressure at test point 1)(B) = 9.3 mbar
 - Pressure in combustion chamber = 2 mbar
- $9.3 - 2 = 7.3$ mbar

A pressure of 9.3 mbar (column 1) corresponds in the table RS 34/M MZ to an output of 260 kW.

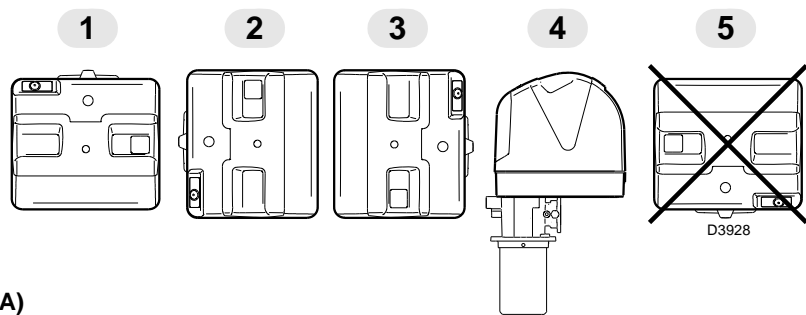
This value serves as a rough guide; the effective output must be measured at the gas meter.

To calculate the required gas pressure at test point 1)(B), set the maximum output required from the burner operation:

- find the nearest output value in the table for the burner in question.
- Read, on the right (column 1) the socket pressure 1)(B).
- Add this value to the estimated pressure in the combustion chamber.

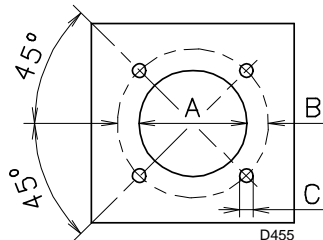
Example - RS 34/M MZ:

- Required burner maximum output operation: 260 kW
 - Natural gas G 20 PCI 9.45 kWh/Sm³
 - Pressure of the gas at an output of 260 kW, from the table RS 34/M MZ, column 1 = 7.3 mbar
 - Pressure in combustion chamber = 2 mbar
- $7.3 + 2 = 9.3$ mbar
- pressure required at test point 1)(B).

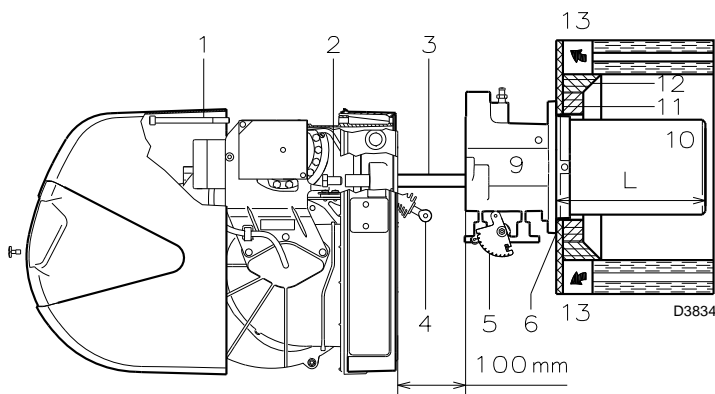


(A)

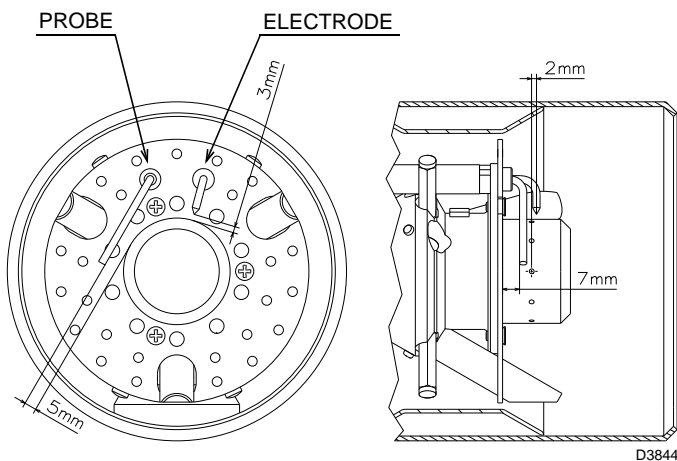
mm	A	B	C
RS 34/M MZ	160	224	M8
RS 44/M MZ	160	224	M8



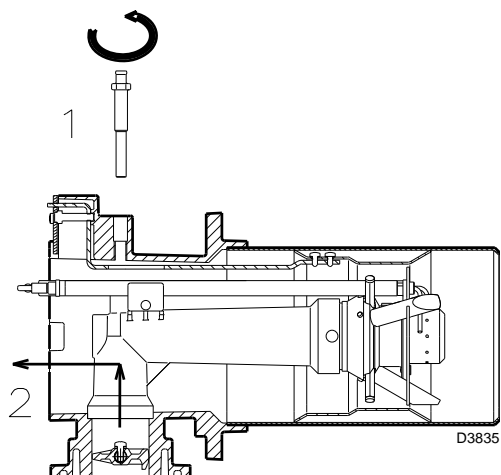
(B)



(C)



(D)



(E)

INSTALLATION

⚠ THE BURNER MUST BE INSTALLED IN CONFORMITY WITH LEGISLATION AND LOCAL STANDARDS.

WORKING POSITION (A)

⚠ The burner is designed to work only in the positions 1, 2, 3 and 4.

Installation 1 is preferable, as it is the only one that allows the maintenance operations as described in this manual. Installations 2, 3 and 4 allow the working, but make the operations of maintenance and checking of the combustion head more difficult page 15.

⊘ Any other position could compromise the correct working of the appliance. Installation 5 is forbidden, for safety reasons.

BOILER PLATE (B)

Pierce the closing plate of the combustion chamber, as in (B). The position of the threaded holes can be marked using the thermal screen supplied with the burner.

BLAST TUBE LENGTH (C)

The length of the blast tube must be selected according to the indications provided by the manufacturer of the boiler, and in any case it must be greater than the thickness of the boiler door complete with its fettling.

The range of lengths available, L (mm), is as follows:

blast tube 10)	RS 34/M MZ	RS 44/M MZ
• short	216	216
• long	351	351

For boilers with front flue passes 13) or flame inversion chambers, protective fettling in refractory material 11), must be inserted between the boiler fettling 12) and the blast tube 10).

This protective fettling must not compromise the extraction of the blast tube.

For boilers with a water-cooled frontpiece, a heat-resistant cover is not necessary 11)-12)(C), unless expressly requested from the boiler manufacturer.

FIXING THE BURNER TO THE BOILER (C)

Before fixing the burner to the boiler, check (from the opening of the blast tube) that the probe and the electrode are correctly positioned, as in (D).

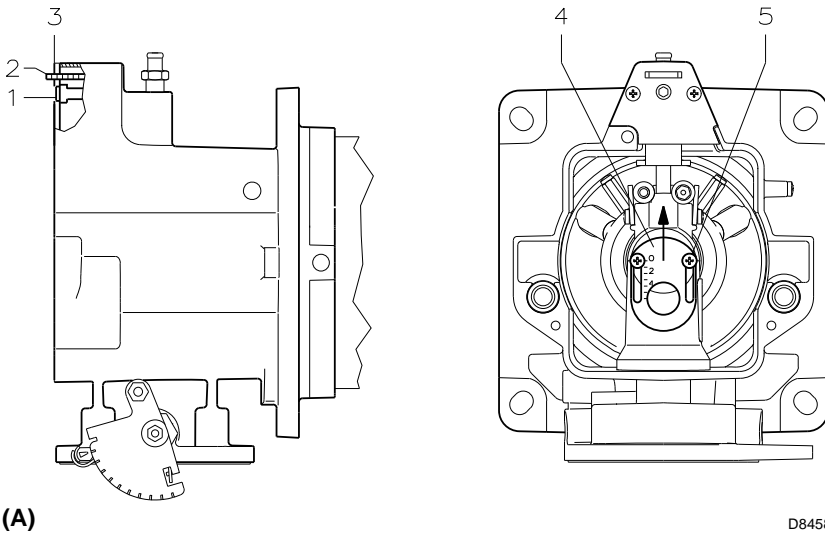
Separate the combustion head from the rest of the burner, fig. (C):

- disengage the articulated coupling 4) from the graduated sector 5);
- remove the screws 2) from the two side bars 3);
- remove screw 1) and pull the burner back on slide bars 3) by about 100 mm;
- disconnect the probe and electrode leads, then unthread the burner completely from the guides.

Fix the unit 9)(C) to the boiler plate, inserting the supplied insulating gasket 6)(C). Use the 4 screws, also supplied with the unit, after first protecting the thread with an anti-locking product. The seal between burner and boiler must be airtight.

If, in the previous check, the position of the probe or electrode was not correct, remove the screw 1)(E), extract the inner part 2)(E) of the head, and adjust them. Do not rotate the probe: leave it as in (D). If it is located too close to the ignition electrode, the control box amplifier may be damaged.

⚠ ATTENTION
Proceed with the assembly of the inner part 2)(E) of the combustion head, tightening the screw 1)(E) with a tightening torque of $4 \div 6 \text{ Nm}$.



(A)

D8458

COMBUSTION HEAD SETTING

Installation operations are now at the stage where the blast tube and sleeve are secured to the boiler as shown in fig. (A). It is therefore particularly easy to adjust the combustion head.

Air adjustment (A - B)

Rotate the screw 1)(A) until the notch on the lamina 2)(A) corresponds with the surface of the plate 3)(A).

Example:

RS 44/M MZ burner, output = 300 kW.

From diagram (B) you can see that, for the MAX output of 300 kW, the air should be adjusted at notch 3, subtracted from the value of the pressure in the chamber. In this case, the loss of pressure in the combustion head is shown in column 1 on page 6.

Note

If the pressure in the chamber is equal to 0 mbar, the air is adjusted with reference to the broken line of the diagram (B).

Central air adjustment (A - C)

In case the application needs a particular setup, it is possible to modify the central air delivery using the ring nut 4)(A) up to the notch indicated in diagram (C).

In order to carry out this operation, unscrew the screws 5)(A) and lift up the ring nut 4)(A). At the end, tighten the screws 5)(A) again.

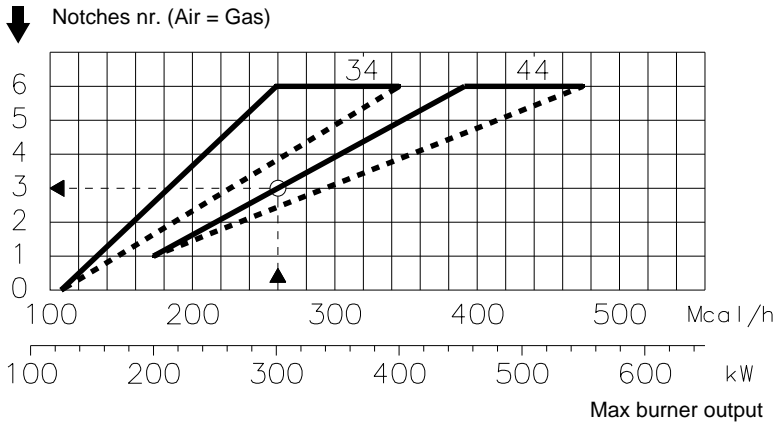
Once you have finished adjusting the head, reassemble the burner 4)(D) on the guides 3)(D) at about 100mm from the pipe coupling 5)(D) - burner in the position shown in fig. (C)p. 7 - insert the cable of the probe and the cable of the electrode, then slide the burner as far as the pipe coupling, burner in the position shown in fig. (D).

Refit screws 2) on slide bars 3).

Fix the burner to the pipe coupling with the screw 1).

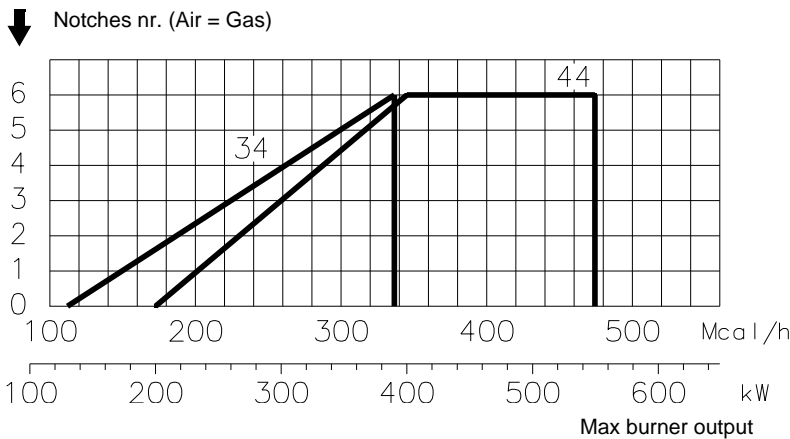
Important

When fitting the burner on the two slide bars, it is advisable to gently draw out the high tension cable and flame detection probe cable until they are slightly stretched.



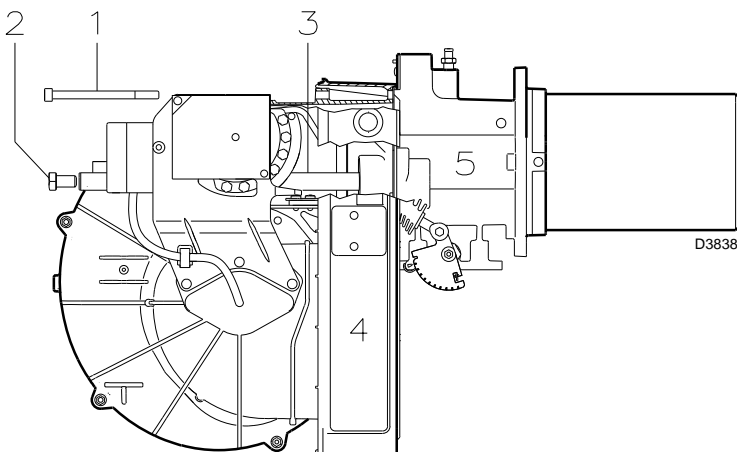
(B)

D3837



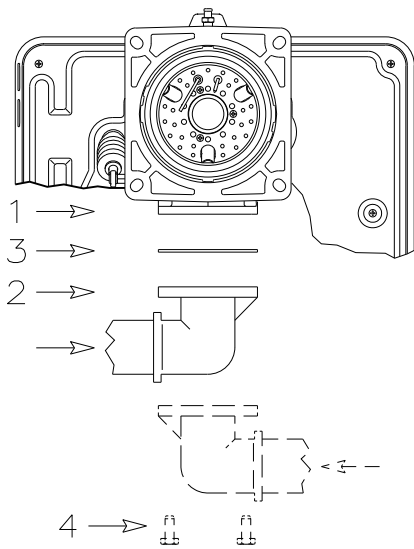
(C)

D8577



(D)

D3838



(A)

D3839

GAS FEEDING LINE

- The gas train must be connected to the gas attachment 1)(A), using the flange 2), gasket 3) and screws 4) supplied with the burner.
- The gas train can enter the burner from the right or left side, depending on which is the most convenient, see fig. (A).
- The gas solenoids must be as close as possible to the burner, to ensure that the gas reaches the combustion head within the safety time of 3s.

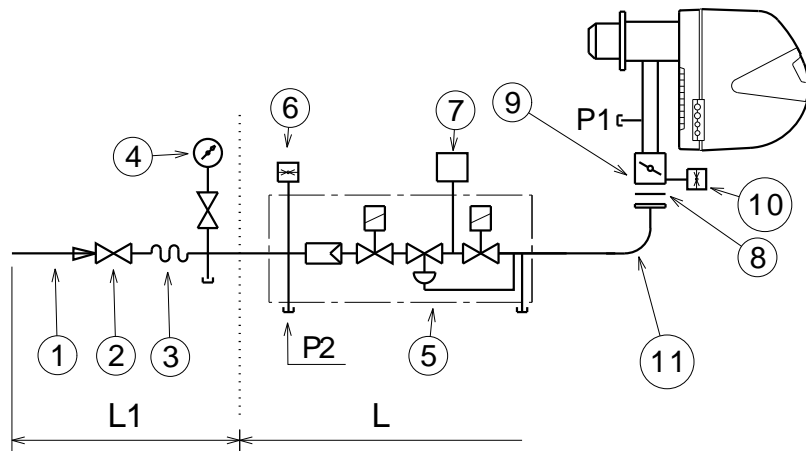
GAS TRAIN (B)

Approved, together with the burner, according to the regulation EN 676, and supplied separately from the burner, with the code indicated in the table (C).

KEY (B)

- 1 - Gas input pipe
 - 2 - Manual valve
 - 3 - Vibration damping joint
 - 4 - Pressure gauge with pushbutton cock
 - 5 - Multibloc, including:
 - filter (replaceable)
 - working valve
 - pressure adjuster
 - 6 - Minimum gas pressure switch
 - 7 - Valve seal checking device.

In accordance with the standard EN 676, gas valve leak detection control devices are compulsory for burners with maximum outputs of more than 1200 kW.
 - 8 - Gasket
 - 9 - Gas adjustment butterfly valve
 - 10 - Max gas pressure switch (accessory)
 - 11 - Gas train/burner adaptor
- P1 - Pressure at combustion head
 P2 - Up-line pressure of valves/adjuster
- L - Gas train supplied separately with the code indicated in table (C)
 L1 - The responsibility of the installer



(B)

D3791

KEY TO TABLE (C)

- C.T.= Checking device for gas valves seal:
- = Gas train without gas valve leak detection control device; device that can be ordered separately and assembled subsequently (see Column 7).
 - ◆ = Train with seal checking device already assembled.
- 7 = VPS valve leak detection control device. Supplied separately from gas train on request.
- 11 = Gas train/burner adaptor. Supplied separately from gas train on request.

Note

See the accompanying instructions for the adjustment of the gas train.

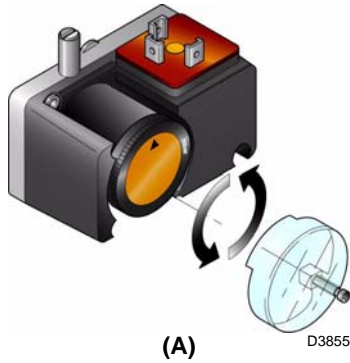
BURNERS AND RELATIVE GAS TRAINS APPROVED ACCORDING TO REGULATION EN 676

GAS TRAINS L				BURNER		7	11
Code	Model	∅	C.T.	RS 34/M	RS 44/M	Code	Model
3970599	MB 407/1 - RT 52	3/4"	-	-	•	-	3000824
3970553	MB 407/1 - RT 20	3/4"	-	•	•	3010123	3000824
3970229*	MB 407/1 - RSM 20	3/4"	-	•	•	3010123	3000824
3970554	MB 410/1 - RT 20	1"	-	•	•	3010123	3000824
3970230*	MB 410/1 - RSM 20	1"	-	•	•	3010123	3000824
3970144	MB 412/1 - RT 20	1 1/4"	-	•	•	3010123	-
3970231*	MB 412/1 - RSM 20	1 1/4"	-	•	•	3010123	-
3970180	MB 415/1 - RT 30	1 1/2"	-	•	•	3010123	-
3970232*	MB 415/1 - RSM 30	1 1/2"	-	•	•	3010123	-
3970181	MB 420/1 - RT 30	2"	-	•	•	3010123	3000822
3970233*	MB 420/1 - RSM 30	2"	◆	•	•	3010123	3000822
3970182	MB 420/1 CT RT 30	2"	◆	•	•	-	-
3970234*	MB 420/1 CT RSM 30	2"	◆	•	•	-	-

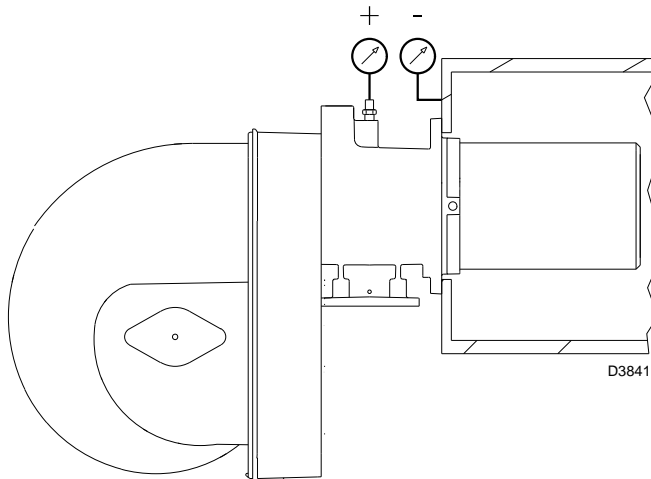
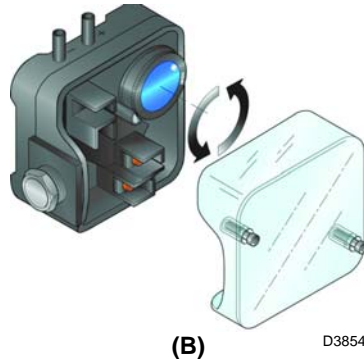
* Trains complete with 6-pin plug for connection to burner.

(C)

MIN GAS PRESSURE SWITCH

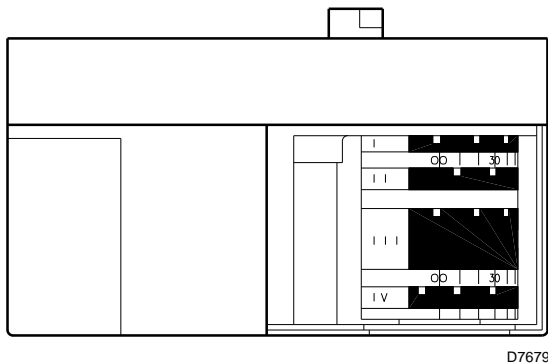


AIR PRESSURE SWITCH

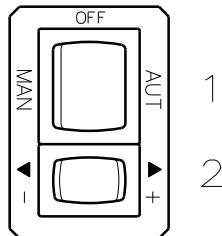


(C)

SERVOMOTOR



(D)



(E)

! In the event of a burner lockout, more than two consecutive burner reset operations could cause damage to the installation. On the third lockout, contact the After-sales Service.

If further lockouts or burner faults occur, interventions must only be made by qualified, authorised personnel (as indicated in this manual, and in compliance with the laws and regulations currently in force).

ADJUSTMENTS PRIOR TO IGNITION

! **WARNING**
THE FIRST IGNITION MUST BE CARRIED OUT BY QUALIFIED PERSONNEL WITH THE RIGHT INSTRUMENTS.

The adjustment of the combustion head, air, was described on page 8. In addition, the following adjustments must also be made:

- open manual valves up-line from the gas train.
- Adjust the minimum gas pressure switch to the start of the scale (A).
- Adjust the air pressure switch to the start of the scale (B).
- Purge the air from the gas line.
 Continue to purge the air (we recommend using a plastic tube routed outside the building) until gas is smelt.
- Assemble a pressure gauge (C) on the gas pressure socket of the pipe coupling.
 The manometer readings are used to calculate MAX. burner power using the tables on page 6.
- Connect two lamps or testers to the two gas line solenoid valves VR and VS, to check the exact moment at which voltage is supplied.
 This operation is unnecessary if each of the two solenoid valves is equipped with a pilot light that signals voltage passing through.

Before starting up the burner, it is good practice to adjust the gas train so that ignition takes place in conditions of maximum safety, i.e. with gas delivery at the minimum.

SERVOMOTOR (D)

The servomotor provides simultaneous adjustment of the air damper, by means of the variable profile cam and the gas butterfly valve. The angle of rotation of the servomotor is equal to the angle on the graduated sector controlling the gas butterfly valve. The servomotor rotates through 90° degrees in 24 seconds. Do not alter the factory setting for the 4 cams; simply check that they are set as indicated below:

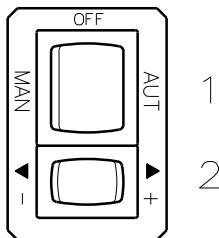
- Cam I** : 90°
 Limits rotation toward maximum position. When the burner is at max output, the gas butterfly valve must be fully open: 90°.
- Cam II** : 0°
 Limits rotation toward the minimum position. When the burner is shut down, the air damper and gas butterfly valve must be closed: 0°.
- Cam III** : 15°
 Adjusts the ignition position and the MIN output.
- Cam IV** : Integral with cam III

BURNER START-UP

Switch off the remote controls and place the switch 1)(E) in position "MAN". As soon as the burner starts, check the direction of rotation of the fan blade, looking through the flame inspection window 17)(A)p.4. Make sure that the lamps or testers connected to the solenoids, or pilot lights on the solenoids themselves, indicate that no voltage is present. If voltage is present, stop the burner immediately and check the electrical connections.

BURNER IGNITION

Having completed the checks indicated in the previous heading, ignition of the burner should be achieved. If the motor starts but the flame does not appear and the control box goes into lockout, reset and wait for a new firing attempt. If ignition is still not achieved, it may be that gas is not reaching the combustion head within the safety time period of 3 seconds. In this case, increase gas ignition delivery. The arrival of gas to the pipe coupling is shown by the pressure gauge (C). Once ignition has taken place, proceed with global calibration operations.



D3883

(A)

BURNER CALIBRATION

The optimum calibration of the burner requires an analysis of the flue gases at the boiler outlet.

Adjust successively:

- 1 - Output upon ignition (minimum)
- 2 - Max. burner output
- 3 - Intermediate outputs between Min. and Max.
- 4 - Air pressure switch
- 5 - Minimum gas pressure switch

DETERMINATION OF OUTPUT UPON IGNITION (MINIMUM)

According to the regulation EN 676.

Burners with MAX output up to 120 kW

Ignition can be performed at the maximum operation output level. Example:

- max. operation output : 120 kW
- max. ignition output : 120 kW

Burners with MAX output above 120 kW

Ignition must be performed at a lower output than the max. operation output.

If ignition output does not exceed 120 kW, no calculations are required. If ignition output exceeds 120 kW, the regulations prescribe that the value be defined according to the control box safety time "ts":

for "ts" = 3s, ignition output must be equal to, or lower than, 1/3 of max. operation output.

Example

MAX operation output of 450 kW.

The ignition output must be equal to, or less than, 150 kW with ts = 3s

In order to measure the ignition output:

- disconnect the plug-socket 24)(A)p.4 on the ionisation probe cable (the burner will fire and then go into lockout after the safety time has elapsed).
- Perform 10 ignitions with consecutive lock-outs.
- Read, on the meter, the quantity of gas burned.

This quantity must be equal to, or lower than, the quantity given by the formula, for ts = 3s:

$$Vg = \frac{Qa \text{ (max. burner output)} \times n \times ts}{3600}$$

Vg: volume supplied upon ignitions carried out (Sm³)

Qa: ignition output (Sm³/h)

n: number of ignitions (10)

ts: safety time (sec)

Example for gas G 20 (9.45 kWh/Sm³):

ignition output 150 kW

corresponding to 15.87 Sm³/h.

After 10 ignitions with lockout, the output indicated on the meter must be equal to, or less than:

$$Vg = \frac{15.87 \times 10 \times 3}{3600} = 0.132 \text{ Sm}^3$$

1 - OUTPUT UPON IGNITION (MINIMUM)

Min output must be selected within the firing rate range shown on page 5.

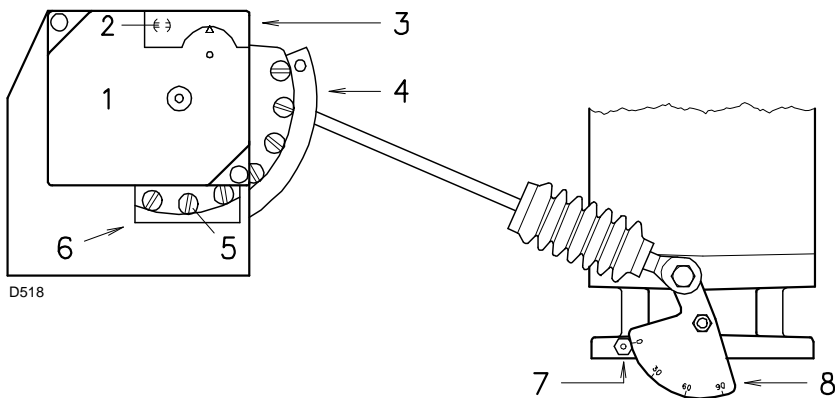
Press the button 2)(A) "output reduction", and keep it pressed until the servomotor has closed the air damper and the gas butterfly valve at 15° (adjustment made in the factory).

Adjusting gas delivery

Measure the delivery of gas from the gas meter.

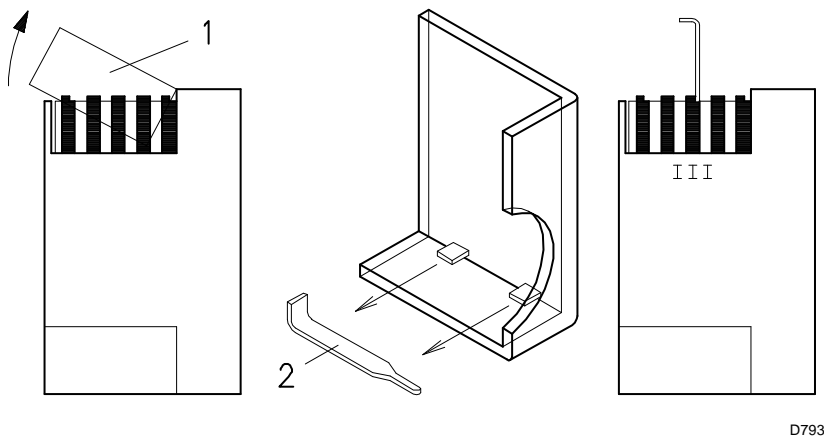
- If it is necessary to reduce it, reduce slightly the angle of cam III fig.(B)p.12 with small, regular movements, i.e. bring it from an angle of 15° to 13° - 11°....
- If it is necessary to increase it, press slightly the button "output increase" 2)(A) (open by 10-15° the gas butterfly valve), increase the angle of cam III fig.(B)p.12 with small, regular movements, i.e. bring it from an angle of 15° to 17° - 19°....

Then press the button "output reduction" until the servomotor is in the position of minimum opening, and measure the gas output.



- | | |
|-------------------------------------|---|
| 1 Servomotor | 5 Screws for adjusting the variable profile |
| 2 ⊖ Constraint / ⊕ Release of cam 4 | 6 Slit to access the screws 5 |
| 3 Cam cover | 7 Index of graduated sector 8 |
| 4 Variable profile cam | 8 Gas butterfly valve graduated sector |

(A)



(B)

NOTE

The servomotor follows the adjustment of cam III only when the angle of the cam is reduced. If it is necessary to increase the angle of the cam, you must first increase the angle of the servomotor by means of the "output increase" key, then increase the angle of cam III, and finally bring the servomotor to the position of MIN output, with the "output reduction" key.

If it is necessary to adjust cam III, remove the cover 1) (inserted with a trigger catch, as indicated in fig. (B)), extract the special key 2) from inside, and insert it in the notch of cam III.

Adjustment of air delivery

Progressively adjust the starting profile of cam 4)(A) by turning the screws working through the access hole 6)(A). It is preferable not to turn the first screw since this is used to set the air damper to its fully closed position.

2 - MAX. OUTPUT

Max. output of the burner must be set within the firing rate range shown on page 5.

In the above description, we left the burner switched on, working at MIN output. Now press the button 2)(A)p.11 "output increase", and keep it pressed until the servomotor has opened the air damper and the gas butterfly valve at 90°.

Adjusting gas delivery

Measure the delivery of gas from the gas meter. As a general rule, it can be seen from the table on page 6, just read the gas pressure on the pressure gauge, see fig.(C)p.10, and follow the indications given on page 6.

- If delivery needs to be reduced, diminish outlet gas pressure and, if it is already very low, slightly close adjustment valve VR.
- If delivery needs to be increased, increase outlet gas pressure.

Adjustment of air delivery

Progressively adjust the end profile of cam 4)(A) by turning the cam adjustment screws as they appear through the access opening 6)(A).

- Turn the screws clockwise to increase air delivery.
- Turn the screws anti-clockwise to reduce air delivery.

3 - INTERMEDIATE OUTPUTS

Adjusting gas delivery

No adjustment of gas delivery is required.

Adjustment of air delivery

Press the key 2)(A)p.11 "output increase" a little so that a new screw 5)(A) appears in the opening 6)(A). Adjust it until optimal combustion is obtained. Proceed in the same way with the other screws.

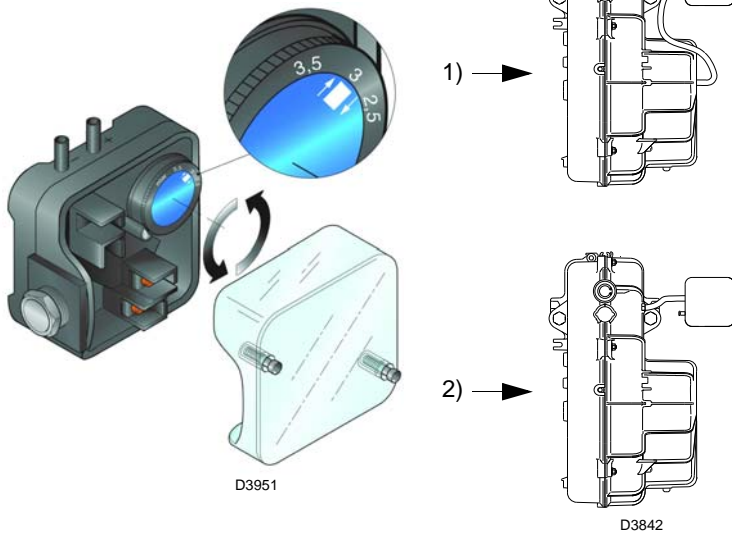
Take care that the cam profile variation is progressive.

Switch the burner off with the switch 1)(A)p.11. Release the variable profile cam by putting the servomotor slot 2)(A) in a vertical position and check more than once, rotating the cam forward and backward by hand, that the movement is soft and smooth, without sticking.

As far as is possible, try not to move those screws at the ends of the cam that were previously adjusted for the opening of the air damper to MAX and MIN output.

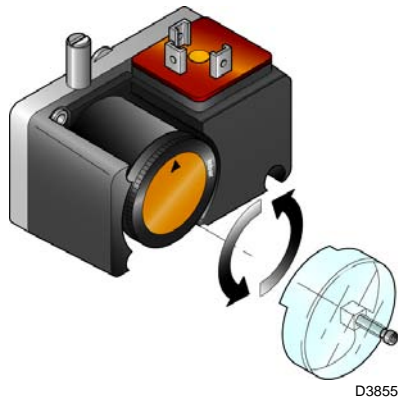
NOTE

Once you have finished adjusting outputs MAX - MIN - INTERMEDIATE, check ignition once again: noise emission at this stage must be identical to the following stage of operation. If you notice any sign of pulsations, reduce the ignition stage delivery.

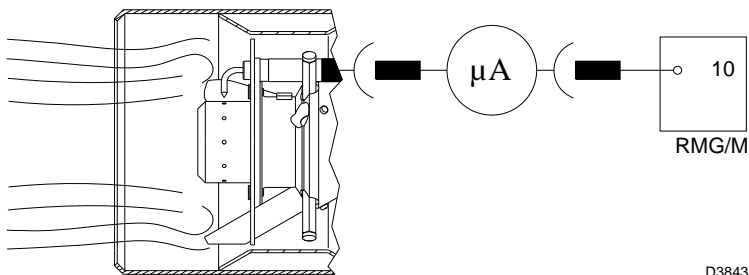


(A)

MINIMUM GAS PRESSURE SWITCH



(B)



(C)

4 - AIR PRESSURE SWITCH (A)

Adjust the air pressure switch after having performed all other burner adjustments with the air pressure switch set to the start of the scale (A).

With the burner working at MIN output, insert a combustion analyser in the stack, slowly close the suction inlet of the fan (for example, with cardboard) until the CO value does not exceed 100 ppm.

Then slowly turn the appropriate knob clockwise until the burner reaches the lockout position.

Check the indication of the arrow pointing upwards on the graduated scale (A). Turn the knob clockwise again, until the value shown on the graduated scale corresponds with the arrow pointing downwards (A), and so recovering the hysteresis of the pressure switch (shown by the white mark on a blue background, between the two arrows).

Now check the correct start-up of the burner.

If the burner locks out again, turn the knob anti-clockwise a little bit more.

The incorporated air pressure switch can work in a "differential" way if connected with two pipes; see 1)(A). If a strong depression in the combustion chamber during the pre-purging phase does not allow the air pressure switch to commute, commutation can be obtained by applying a second tube between the air pressure switch and the suction inlet of the fan. In this way, the pressure switch will work in differential mode.

5 - MINIMUM GAS PRESSURE SWITCH (B)

With the burner operating at MAX output, increase adjustment pressure by slowly turning the relative knob clockwise until the burner locks out.

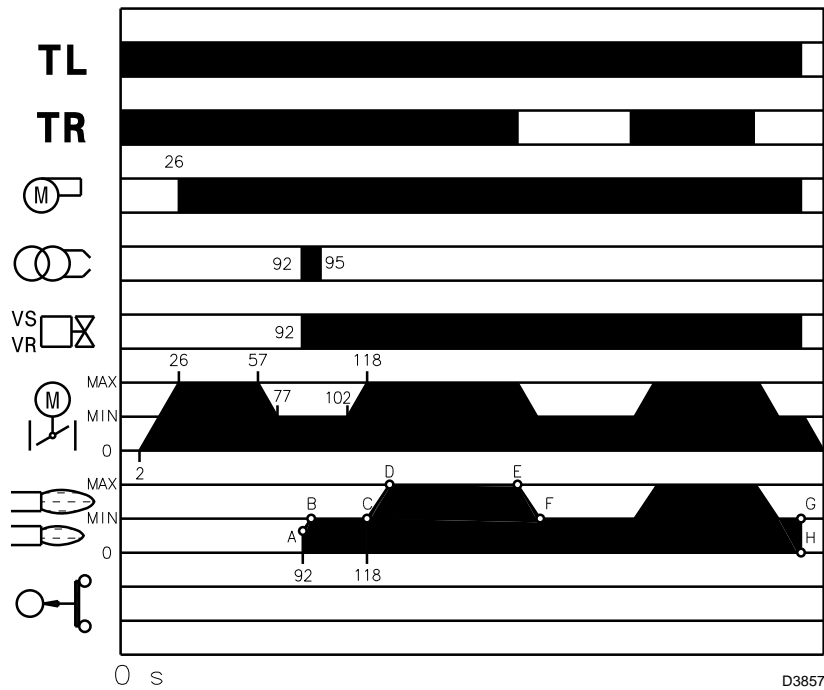
Then turn the knob anti-clockwise by 5mbar and repeat burner starting to ensure it is uniform.

If the burner locks out again, turn the knob anti-clockwise again by 1mbar.

FLAME PRESENCE CHECK (C)

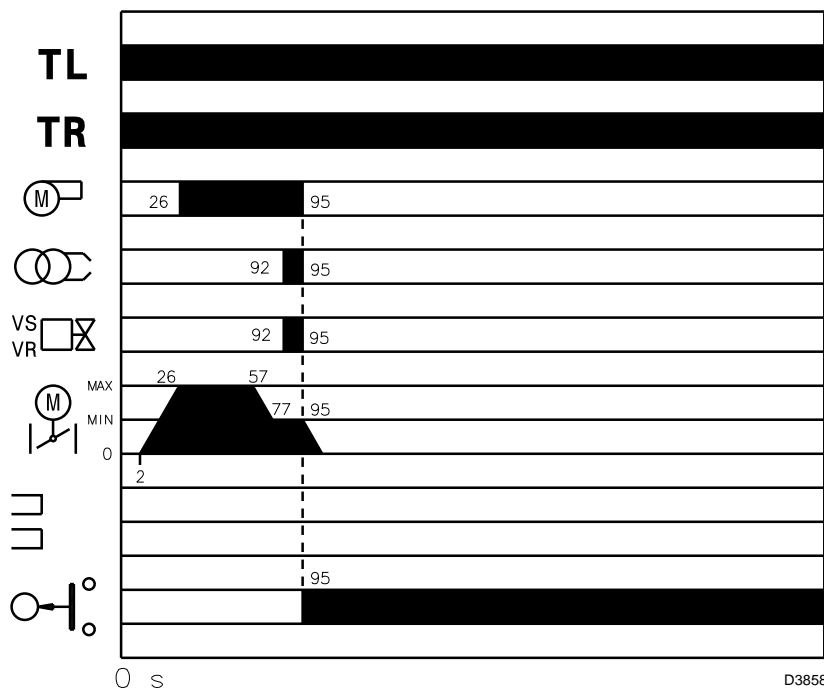
The burner is fitted with an ionisation system which ensures that a flame is present. The minimum current for control box operation is 6 μ A. The burner provides a much higher current, so controls are not normally required. However, if it is necessary to measure the ionisation current, disconnect the plug-socket 24)(A)p.4 on the ionisation probe cable and insert a direct current microammeter with a base scale of 100 μ A. Carefully check polarities.

STANDARD IGNITION
(n° = seconds from the moment 0)



(A)

IGNITION FAILURE



(B)

BURNER OPERATION

BURNER START-UP (A)

- 0s: Closure of thermostat/pressure switch TL.
- 2s: Start of electrical control box programme. Servomotor starts: rotate to the left by 90°, i.e. until the contact intervenes with cam I (D)p. 10.
- 26s: The air damper arrives to the MAX. output position. The fan motor starts up. Start of the pre-purging phase.
- 57s: The servomotor rotates towards the right, as far as the angle set on cam III (D)p. 10 for MIN. output.
- 77s: The air damper and the gas butterfly valve adopt the MIN output position (with cam III)(D)p.10 at 15°).
- 92s: Ignition electrode strikes a spark. The safety valve VS opens, along with the adjustment valve VR, quick opening. The flame is ignited at a low output level, point A. Delivery is then progressively increased, with the valve VR opening slowly up to MIN. output, point B.
- 94s: The spark goes out.
- 118s: The start-up cycle ends.

STEADY STATE OPERATION (A)

Burner without modulating operation kit

Once the start-up cycle is completed, the servomotor command moves on to the thermostat/pressure switch TR that controls the pressure or the temperature in the boiler, point C. (The electrical control box still continues to check the presence of the flame and the correct position of the air and gas pressure switches).

- If the temperature or the pressure is low, so the thermostat/pressure switch TR is in the output request position, the burner progressively increases the output up to the MAX value (tract C-D).
- If the temperature or the pressure increases until the commutation of TR, the burner progressively reduces the output up to the MIN value (tract E-F). And so on.
- The burner locks out when demand for heat is less than the heat supplied by the burner at min. output, (section G-H). The thermostat/pressure switch TL opens, and the servomotor returns to the angle 0°. The damper closes completely to reduce thermal dispersions to a minimum.

Burner with modulating operation kit

See the handbook enclosed with the regulator.

IGNITION FAILURE (B)

If the burner does not switch on, the gas valve goes into lockout within 3s of the opening.

BURNER FLAME GOES OUT DURING OPERATION


If the flame goes out by accident during the operation, the burner goes into lockout within 1s.


FINAL CHECKS (with the burner working):


- disconnect a wire of the minimum gas pressure switch;
- switch on the thermostat/pressure switch TL;
- switch on the thermostat/pressure switch TS; the burner must stop.
- disconnect the air adduction tube of the pressure switch;
- disconnect the wire of the ionisation probe; the burner must stop in lockout.

Make sure that the mechanical locking systems on the various adjustment devices are fully tightened.

MAINTENANCE

 The burner requires periodic maintenance carried out by a qualified and authorised technician **in conformity with legislation and local standards.**

 Periodic maintenance is essential for the reliability of the burner, avoiding the excessive consumption of fuel and consequent pollution.

 Before carrying out any cleaning or control, always switch off the electrical supply to the burner, using the main switch of the system.

Combustion

The optimum calibration of the burner requires an analysis of the flue gases. Significant differences with respect to the previous measurements indicate the points where more care should be exercised during maintenance.

Gas leaks

Make sure there are no gas leaks on the pipe-work between the gas meter and the burner.

Gas filter

Substitute the gas filter when dirty (see train instructions).

Combustion head

Open the burner and make sure that all components of the combustion head are in good condition, not deformed by the high temperatures, free of impurities from the surroundings and correctly positioned. If in doubt, disassemble the elbow.

Servomotor

Release the cam 4)(A)p.12, rotating by 90° the notch 2)(A)p.12, and manually check that it rotates smoothly backwards and forwards. Constrain the cam again 4)p.12.

Burner

Check for excess wear or loose screws in the mechanisms that control the air damper and the gas butterfly valve. In addition, the screws that fix the cables in the terminal board must be blocked, along with the burner sockets.

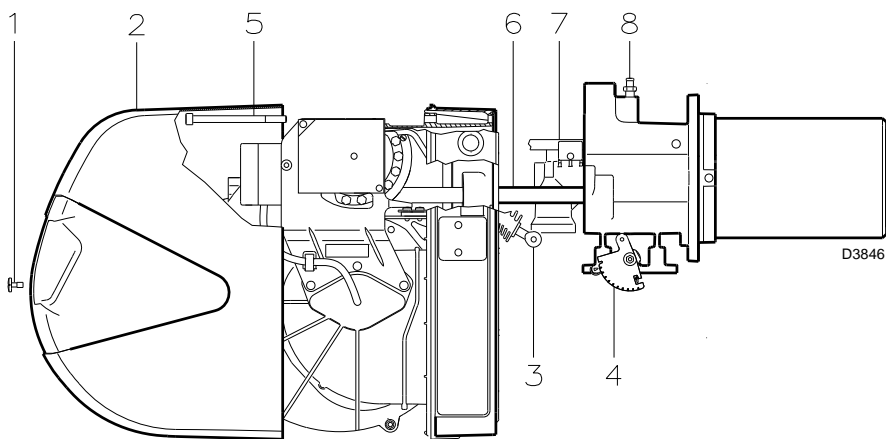
Clean the outside of the burner, taking special care with the transmission joints and cam 4)(A)p.12.

Combustion

Adjust the burner if the combustion values found at the beginning of the operation do not comply with the regulations in force, or at any rate, do not correspond to good combustion.

Use the appropriate card to record the new combustion values; they will be useful for subsequent controls.

OPENING THE BURNER



(A)

TO OPEN THE BURNER (A):

- Switch off the electrical power.
- Remove the screw 1) and pull out the hood 2).
- Disengage the articulated coupling 3) from the graduated sector 4).
- Remove the screw 5) only with the long head models; pull the burner back on the guides 6) for about 100mm. Disconnect the probe and electrode leads and then pull the burner fully back.

Now extract the gas distributor 7) after having removed the screw 8).

Remove the screws 2)(B)p. 7 and tighten the two extensions 25)(A)p.4 supplied with the burner.

Retighten the two screws 2)(B)p.7 on the terminal of the extensions.



ATTENTION

Proceed with the assembly of the inner part of the combustion head, tightening the screw 8)(A) with a tightening torque of $4 \div 6 \text{ Nm}$.

TO CLOSE THE BURNER (A):

- Push the burner up to approximately 100mm from the pipe coupling.
- Reconnect the leads and slide in the burner until it comes to a stop.
- Replace the screw 5) and carefully pull the probe and electrode cables outwards until they are slightly taut.
- Re-couple the articulated coupling 3) to the graduated sector 4).
- In the long head models, unscrew the extensions and reposition them in the appropriate space; tighten the screws to the guides 2)(C)p.7.
- Reposition the hood 2) and fix with the screw 1).

SWITCHBOARD MAINTENANCE

If it is necessary to carry out maintenance on the switchboard 1)(B), it is possible to remove only the fan unit 2)(B), to allow improved access to the electrical components.

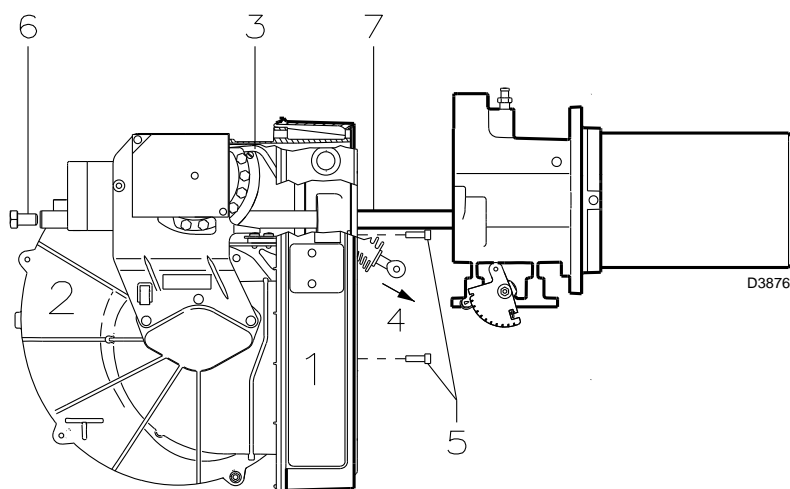
With the burner open as in fig.(A), unhook the tie-rod 3)(B), removing the screw on the variable profile cam, and extract it from the tip 4)(B).

At this point, disconnect the cables relating to the air pressure switch, the servomotor and fan motor.

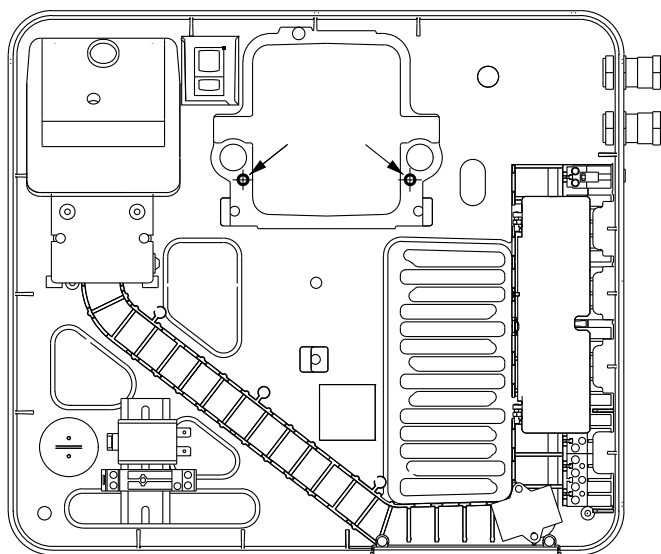
Remove the 3 screws 5)(B) positioned on the protective cover.

Removing the 2 screws 6)(B), it is possible to unthread the fan unit 2)(B) from the guides 7)(B).

Finally, you can use 2 of the 3 screws 5)(B) to fix the electrical switchboard to the pipe coupling, in the points indicated in fig.(C), and then carry out the maintenance operations.



(B)



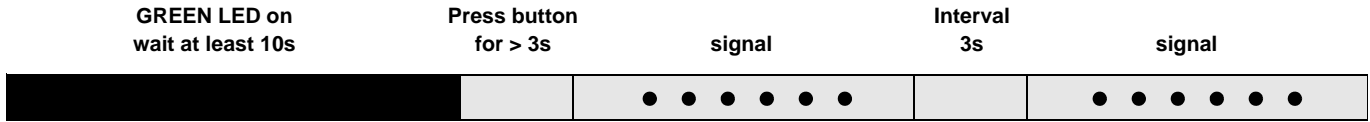
(C)

D3877

Signal	Problem	Possible cause	Recommended remedy
2 blinks ● ●	Once the pre-purging phase and safety time have passed, the burner goes into lockout without the appearance of the flame	1 - The operation solenoid lets little gas through 2 - One of the two solenoid valves does not open. 3 - Gas pressure too low 4 - Ignition electrode incorrectly adjusted 5 - Electrode grounded due to broken insulation 6 - High voltage cable defective 7 - High voltage cable deformed by high temperature 8 - Ignition transformer defective. 9 - Incorrect valve or transformer electrical wiring 10 - Defective control box 11 - A closed valve upline the gas train 12 - Air in pipework 13 - Gas valves unconnected or with interrupted coil	Increase Replace Increase pressure at governor Adjust Replace Replace Replace and protect Replace Check Replace Open Bleed air Check connections or replace coil
3 blinks ● ● ●	The burner does not switch on, and the lockout appears	14 - Air pressure switch in operating position	Adjust or replace
	The burner switches on, but then stops in lockout	- Air pressure switch inoperative due to insufficient air pressure: 15 - Air pressure switch incorrectly adjusted. 16 - Pressure switch pressure test point pipe blocked 17 - Poorly adjusted head 18 - High pressure in the furnace	Adjust or replace Clean Adjust Connect air pressure switch to fan suction line
	Lockout during pre-purging phase	19 - Defective motor control contactor (only three-phase version) 20 - Defective electrical motor. 21 - Motor lockout (defective electrical motor)	Replace Replace Replace
4 pulses ● ● ● ●	The burner switches on, but then stops in lockout	22 - Flame simulation	Replace the control box
	Lockout when burner stops	23 - Permanent flame in the combustion head or flame simulation	Eliminate persistence of flame or replace control box
6 blinks ● ● ● ● ● ●	The burner switches on, but then stops in lockout	24 - Defective or incorrectly adjusted servomotor.	Adjust or replace
7 blinks ● ● ● ● ● ● ●	The burner goes into lockout immediately following the appearance of the flame	25 - The operation solenoid lets little gas through 26 - Ionisation probe incorrectly adjusted 27 - Insufficient ionisation (less than 5 A) 28 - Earth probe 29 - Burner poorly grounded 30 - Phase and neutral connections inverted 31 - Defective flame detection circuit	Increase Adjust Check probe position Withdraw or replace cable Check grounding Invert them Replace the control box
	Burner locks out when shifting from minimum to maximum output and vice versa	32 - Too much air or too little gas	Adjust air and gas
	Burner goes into lockout during operation	33 - Probe or ionisation cable grounded.	Replace worn parts
10 blinks ● ● ● ● ● ● ● ● ● ●	The burner does not switch on, and the lockout appears	34 - Incorrect electrical wiring	Check
	The burner goes into lockout	35 - Defective control box 36 - Presence of electromagnetic disturbances in the thermostat lines 37 - Presence of electromagnetic disturbance	Replace Filter or eliminate Use the radio disturbance protection kit
	The burner does not start	38 - No electrical power supply 39 - A limiter or safety control device is open 40 - Line fuse blocked. 41 - Defective control box 42 - No gas supply 43 - Mains gas pressure insufficient 44 - Minimum gas pressure switch fails to close. 45 - Servomotor fails to move to min. ignition position	Close all switches - Check connections Adjust or replace Replace Replace Open the manual valves between contactor and train Contact your GAS COMPANY Adjust or replace Replace
No blink	The burner continues to repeat the start-up cycle, without lockout	46 - The gas pressure in the gas mains lies very close to the value to which the minimum gas pressure switch has been set. The sudden drop in pressure after valve opening causes temporary opening of the pressure switch itself, the valve immediately closes and the burner comes to a halt. Pressure increases again, the pressure switch closes again and the ignition cycle is repeated. And so on	Reduce the minimum gas pressure switch intervention pressure. Replace the gas filter cartridge.
	Ignition with pulsations	47 - Poorly adjusted head 48 - Ignition electrode incorrectly adjusted 49 - Incorrectly adjusted fan air damper: too much air 50 - Output during ignition phase is too high.	Adjust Adjust Adjust Reduce
	Burner does not reach maximum output	51 - Remote control device TR fails to close. 52 - Defective control box 53 - Defective servomotor	Adjust or replace Replace Replace
	Burner stops with air damper open	54 - Defective servomotor	Replace

NORMAL OPERATION / FLAME DETECTION TIME

The control box has a further function to guarantee the correct burner operation (signal: **GREEN LED** permanently on). To use this function, wait at least ten seconds from the burner ignition and then press the control box button for a minimum of 3 seconds. After releasing the button, the GREEN LED starts flashing as shown in the figure below.



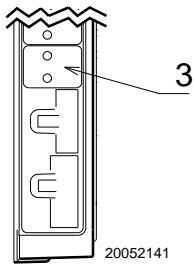
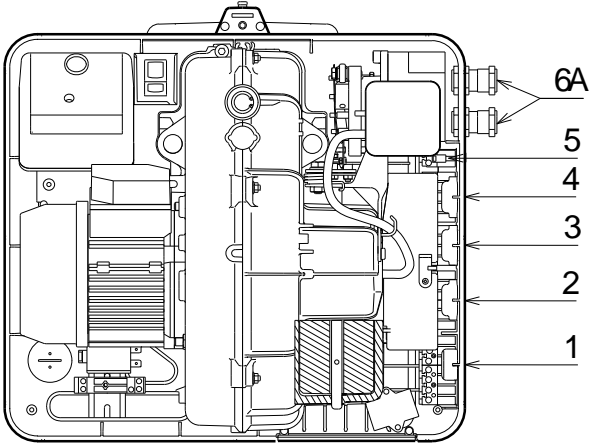
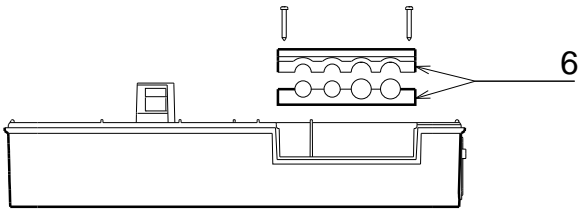
The pulses of the LED constitute a signal spaced by approximately 3 seconds. The number of pulses will measure the probe DETECTION TIME since the opening of gas valves, according to the following table:

SIGNAL	FLAME DETECTION TIME
1 blink ●	0.4s
2 blinks ● ●	0.8s
6 blinks ● ● ● ● ● ●	2.8s

This is updated in every burner start-up. Once read, the burner repeats the start-up cycle by briefly pressing the control box button.
WARNING
 If the result is > 2s, ignition will be retarded. Check the adjustment of the hydraulic brake of the gas valve, the air damper and the combustion head adjustment.

KIT INTERFACE ADAPTER RMG TO PC Code 3002719

APPENDIX



Electrical connections



NOTES

The electrical wirings must be carried out in conformity with the regulations in force in the countries of destination, and by qualified personnel.
Riello S.p.A. cannot accept any responsibility for modifications or connections other than those shown in these diagrams.

Use flexible cables, in accordance with the regulation EN 60 335-1.

All the cables to be connected to the burner must pass through cable grommets.

The use of cable grommets can take various forms; the following way is just one possible solution:

RS 34-44/M MZ single-phase

- 1- 7-pole socket for single-phase power supply, thermostat/pressure switch TL
- 2- 6-pole socket for gas valves, gas pressure switch or device for checking the valve seal
- 3- 4-pole socket for thermostat/pressure switch TR (with removable cover)
- 4- 5-pole socket, not used
- 5- 2-pole socket for device enabling the remote reset of the control box
- 6 - 6A Fittings for pipe unions
(Pierce, if it is necessary to use the pipe unions 6A)

RS 44/M MZ three-phase

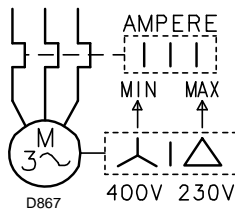
- 1- 7-pole socket for single-phase power supply, thermostat/pressure switch TL
- 2- 6-pole socket for gas valves, gas pressure switch or device for checking the valve seal
- 3- 4-pole socket for thermostat/pressure switch TR (with removable cover)
- 4- 5-pole socket for three-phase power supply
- 5- 2-pole socket for device enabling the remote reset of the control box
- 6 - 6A Fittings for pipe unions
(Pierce, if it is necessary to use the pipe unions 6A)



The socket cover must only be removed when the 4-pole socket is in use.

When the 4-pole socket is not in use the cover must be in place.

The manufacturer furthermore declines any and every responsibility for the failure to observe the contents of this manual.



ADJUSTMENT OF THERMAL CUTOUT (RS 44/M MZ THREE-PHASE)

Used to avoid the burning of the motor owing to a strong increase in the absorption, caused by the lack of a phase.

- If the motor is star-driven, **400V**, the cursor must be positioned on "MIN".
 - If it is delta-driven, **230V**, the cursor is positioned on "MAX".
- If the scale of the thermal cutout does not include the absorption of rating of the motor at 400V, the protection is guaranteed anyway.

NOTES

- The model RS 44/M MZ three-phase leaves the factory with an electrical supply setting of **400V**. If **230V** power supply is used, change the motor connection from star to delta and change the setting of the thermal cutout as well.
- The burners RS 34-44/M MZ have been approved for intermittent operation. This means they should be compulsorily stopped at least once every 24 hours to enable the control box to perform a check of its own efficiency at start-up. Normally, the stopping of the burner is guaranteed by the boiler's thermostat/pressure switch. If this is not the case, a time switch should be fitted in series to IN to provide for burner shut-down at least once every 24 hours.
- The burners RS 34-44/M MZ leave the factory set for two-phase operation, so the thermostat/pressure switch TR must be connected. If you want the burner to work with single-phase operation, insert (in place of the thermostat/pressure switch TR) a bridge between the terminals T6 - T7 of the plug X4.

MODULATING OPERATION

If the output power regulator kit RWF40 or the converter 0...10V / 4...20mA is connected, in 3-point signal, the thermostat/pressure switch TR must be removed (if the 4-pole socket becomes unhooked, apply the supplied cover).

Using just the regulator RWF 40 also remove the TL thermostat/pressure switch.



ATTENTION:

- Do not invert the neutral with the phase in the electrical supply line. An inversion would lead to lockout due to ignition failure.
- Replace the components only with original spare parts.

DECLARACIÓN	página 1
DATOS TÉCNICOS	2
Versiones constructivas	2
Categorías gas	2
Accesorios	3
Descripción del quemador	4
Embalaje - Peso	4
Dimensiones	4
Forma de suministro	4
Campos de trabajo	5
Caldera de prueba	5
Calderas comerciales	5
Presión del gas	6
INSTALACIÓN	7
Posición de funcionamiento	7
Placa de caldera	7
Longitud tubo llama	7
Fijación del quemador a la caldera	7
Regulación del cabezal de combustión	8
Línea alimentación de gas	9
Regulaciones previa al encendido	10
Servomotor	10
Puesta en marcha del quemador	10
Encendido del quemador	10
Regulación del quemador:	11
Determinación de la potencia de encendido	11
1 - Potencia de encendido MIN	11
2 - Potencia MÁX	12
3 - Potencias intermedias	12
4 - Presostato aire	13
5 - Presostato gas de mínima	13
Control presencia llama	13
Funcionamiento del quemador	14
Controles finales	15
Mantenimiento	15
Mantenimiento cuadro eléctrico	16
Anomalía - Causa Probable - Solución	18
Funcionamiento normal / tiempo de detección llama	19
Apéndice	20
Esquema cuadro eléctrico	22

Nota

Las figuras que se mencionan en el texto se identifican del modo siguiente:

- 1)(A) =Detalle 1 de la figura A, en la misma página que el texto;
 1)(A)p.3 =Detalle 1 de la figura A, página N° 3.

INFORMACIONES SOBRE EL MANUAL DE INSTRUCCIÓN**INTRODUCCIÓN**

El manual de instrucción suministrado juntamente al quemador:

- constituye parte integrante y fundamental del producto y no se debe separar del quemador; por lo tanto debe conservarse con cuidado para toda necesidad de consulta y debe acompañar al quemador incluso en caso de entregarse a otro propietario o usuario, o en caso de transferencia a otra instalación. En caso de daño o extravío debe solicitarse otro ejemplar al Servicio Técnico de Asistencia de la Zona;
- fue realizado para que solo el personal calificado lo use;
- suministra importantes indicaciones y advertencias sobre la seguridad de la instalación, la puesta en funcionamiento, el uso y el mantenimiento del quemador.

ENTREGA DE LA INSTALACIÓN Y DEL MANUAL DE INSTRUCCIÓN

Cuando se entrega la instalación es necesario que:

- El manual de instrucción sea entregado por el proveedor de la instalación al usuario, con la advertencia de que dicho manual debe ser conservado en el local de la instalación del generador de calor.
- En el manual de instrucción figuran:
 - el número de matrícula del quemador;

.....

- la dirección y el número de teléfono del Centro de Asistencia más cercano;

.....

- El proveedor de la instalación informe con precisión al usuario acerca de:
 - el uso de la instalación,
 - eventuales pruebas adicionales necesarias que se deben realizar antes de la activación de la instalación,
 - el mantenimiento y la necesidad de controlar la instalación como mínimo una vez al año por parte de un encargado de la Empresa Fabricante o de otro técnico especializado.
 Para garantizar un control periódico, el constructor recomienda estipular un Contrato de Mantenimiento.

Declaración de conformidad según ISO / IEC 17050-1

Fabricante: RIELLO S.p.A.
Dirección: Via Pilade Riello, 7
37045 Legnago (VR)
Producto: Quemadores de gas de aire soplado
Modelo: RS 34-44/M MZ

Estos productos están conformes con las siguientes Normas Técnicas:

EN 676

EN 12100

Estos productos están conformes con las siguientes Normas Técnicas:

GAD	90/396/CEE	Directiva Aparatos de Gas
MD	2006/42/CE	Directiva Máquinas
LVD	2006/95/CE	Directiva Baja Tensión
EMC	2004/108/CE	Compatibilidad Electromagnética

Estos productos están marcados como se indica a continuación:



CE-0085BR0378

La calidad está garantizada mediante un sistema de calidad y management certificado según UNI EN ISO 9001.

Declaración del fabricante

RIELLO S.p.A. declara que los siguientes productos respetan los valores límite de emisión de NOx establecidos por la normativa alemana "1. BImSchV revisión 26.01.2010".

Producto	Tipo	Modelo	Potencia
Quemadores de gas de aire soplado	875 T	RS 44/M MZ	80 - 550 kW

Declaración de Conformidad A.R. 8/1/2004 & 17/7/2009 – Bélgica

Productor: RIELLO S.p.A.
37045 Legnago (VR) Italy
Tel. ++39.0442630111
www.rielloburners.com

Puesta en circulación por: RIELLO NV
Ninovesteeuweg 198
9320 Erembodegem
Tel. (053) 769 030
Fax. (053) 789 440
e-mail. info@riello.be
URL. www.riello.be

Con la presente se certifica que la serie de aparatos especificada a continuación es conforme con el modelo tipo descrito en la declaración de conformidad CE, y está producida y puesta en circulación de acuerdo con los requisitos definidos en el D.L. del 8 de enero 2004 y 17 de julio 2009.

Tipo de producto: Quemadores de gas de aire soplado
Modelo: RS 34-44/M MZ
Norma aplicada: EN 267 y A.R. del 8 de enero 2004 y 17 de julio 2009
Estructura de control: TÜV Industrie Service GmbH
TÜV SÜD Gruppe
Ridlerstrasse, 65
80339 München DEUTSCHLAND

Valores medidos:	RS 34/M MZ	RS 44/M MZ
	CO max: 7 mg/kWh	CO max: 2 mg/kWh
	NOx max: 103 mg/kWh	NOx max: 89 mg/kWh

Legnago, 19.11.2012

Director Ejecutivo
RIELLO S.p.A. - Dirección Quemadores
Ing. I. Zinna

Director Investigación y Desarrollo
RIELLO S.p.A. - Dirección Quemadores
Ing. R. Cattaneo

DATOS TÉCNICOS

MODELO		RS 34/M MZ		RS 44/M MZ		RS 44/M MZ	
TIPO		874 T		875 T		875 T	
POTENCIA (1)	MAX.	kW Mcal/h	125 - 390 108 - 336	203 - 550 175 - 473	203 - 550 175 - 473	203 - 550 175 - 473	203 - 550 175 - 473
	MIN.	kW Mcal/h	45 39	80 69	80 69	80 69	80 69
COMBUSTIBLE		GAS NATURAL: G20 - G21 - G22 - G23 - G25					
		G20	G25	G20	G25	G20	G25
- poder calorífico inferior	kWh/Sm ³ Mcal/Sm ³	9,45 8,2	8,13 7,0	9,45 8,2	8,13 7,0	9,45 8,2	8,13 7,0
- densidad absoluta	kg/Sm ³	0,71	0,78	0,71	0,78	0,71	0,78
- caudal máximo	Sm ³ /h	41	48	58	67,6	58	67,6
- presión al máximo caudal (2)	mbar	13,1	18,4	16,7	23,2	16,7	23,2
FUNCIONAMIENTO		<ul style="list-style-type: none"> Intermitente (mín. 1 paro en 24 horas). Dos llamas progresivas o modulante con el kit (ver ACCESORIOS). 					
UTILIZACIÓN ESTÁNDAR		Calderas: de agua, a vapor y aceite diatérmico					
TEMPERATURA AMBIENTE	°C	0 - 40					
TEMPERATURA AIRE COMBURENTE	°C max	60					
ALIMENTACIÓN ELÉCTRICA	V Hz	230 ~ +/- 10% 50/60 - monofásica				230 - 400 con neutro ~ +/- 10% 50/60 - trifásica	
MOTOR ELÉCTRICO	rpm W V	2800 300 220 - 240		2800 420 220 - 240		2780 450 220/240-380/415	
CORRIENTE DE ARRANQUE	A	15		17		14 - 10	
CORRIENTE DE FUNCIONAMIENTO	A	3,2		3,5		2 - 1,4	
CONDENSADOR MOTOR	µF/V	12,5/260		12,5/420		-	
TRANSFORMADOR DE ENCENDIDO	V1 - V2 I1 - I2	230 V - 1 x 15 kV 1 A - 25 mA					
POTENCIA ELÉCTRICA ABSORBIDA	W max	600		700		750	
NIVEL DE PROTECCIÓN		IP40					
NIVEL SONORO (3)	PRESIÓN SONORA POTENCIA SONORA	dBA	68 79	70 81		70 81	

(1) Condiciones de referencia: Temperatura ambiente 20°C - Temperatura gas 15°C - Presión barométrica 1013 mbar - Altitud sobre el nivel del mar 0 m.

(2) Presión en la toma 7)(A)p.4 con presión cero en la cámara de combustión.

(3) Pruebas de emisiones sonoras realizadas de acuerdo con la Normativa EN 15036-1, con exactitud de medida $\sigma = \pm 1,5$ dB, en el laboratorio de combustión del fabricante con quemador que funciona a máxima potencia en la caldera de prueba.

VERSIONES CONSTRUCTIVAS

MODELO	ALIMENTACIÓN ELÉCTRICA	LONGITUD TUBO LLAMA mm
RS 34/M MZ	monofásico	216
	monofásico	351
RS 44/M MZ	monofásico	216
	monofásico	351
	trifásico	216
	trifásico	351

CATEGORÍAS GAS

PAÍS DE DESTINO	CATEGORÍA GAS
SE - FI - AT - GR - DK - ES - GB IT - IE - PT - IS - CH - NO	I _{2H}
DE	I _{2ELL}
NL	I _{2L}
FR	I _{2Er}
BE	I _{2E(R)B}
LU - PL	I _{2E}

ACCESORIOS (suministro bajo demanda):

• KIT PROTECCIÓN CONTRA LAS INTERFERENCIAS RADIO

En caso de instalar el quemador en ambientes especiales expuestos a interferencias radio (emisión de señales de más de 10 V/m) debido a la presencia de INVERTER o en aplicaciones donde las conexiones del termostato superan los 20 metros de longitud, se encuentra disponible un kit de protección como interfaz entre la caja de control y el quemador.

QUEMADOR	RS 34-44/M MZ
Código	3010386

• KIT CABEZAL LARGO

QUEMADOR	RS 34/M MZ	RS 44/M MZ
Código	3010428	3010429

• **KIT PARA FUNCIONAMIENTO CON GLP:** el kit permite que los quemadores RS 34-44/M MZ funcionen con GPL.

QUEMADOR	RS 34/M MZ	RS 44/M MZ
Potencia kW	80/125 - 390 kW	120/200 - 530 kW
Longitud tubo llama mm	216 - 351	216 - 351
Código	3010423	3010424

• KIT PARA FUNCIONAMIENTO MODULANTE

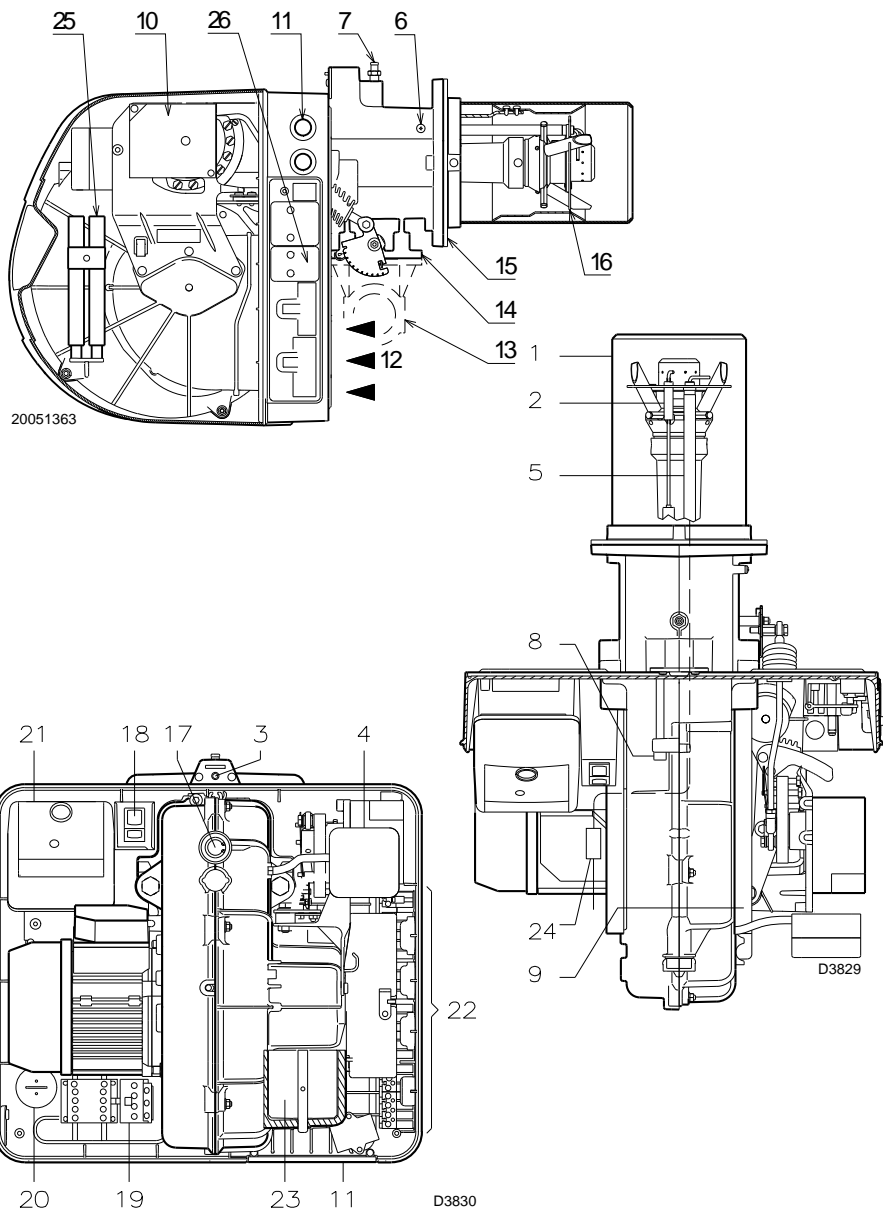
KIT REGULADOR DE POTENCIA RWF40				KIT REGULADOR DE POTENCIA CON SENAL 4-20 mA, 0-10V					
Hay que pedir dos componentes: • El regulador de potencia, que se instala en el quemador; • la Sonda que se debe instalar en el generador de calor				Hay que pedir dos componentes: • el Convertidor de señal analógico; • el Potenciómetro					
Parámetro a controlar		Sonda		Regulador de potencia		Potenciómetro		Convertidor de señal analógico	
	Campo de regulación	Tipo	Código	Tipo	Código	Tipo	Código	Tipo	Código
Temperatura	- 100...+500°C	PT 100	3010110	RWF40	3010417	ASZ...	3010420	E5202	3010410
Presión	0...2,5 bar 0...16 bar	Sonda con salida 4...20 mA	3010213 3010214						

• KIT POTENCIOMETRO PARA INDICACION POSICIÓN DE CARGA	Cód. 3010420
• PRESOSTATO GAS DE MAXIMA	Cód. 3010418
• KIT CONTACTOS PULIDOS	Cód. 3010419
• KIT POSTVENTILACIÓN	Cód. 3010451

• KIT INTERRUPTOR DIFERENCIAL	Cód. 3010448
• KIT VENTILACIÓN CONTINUA	Cód. 3010449
• KIT CUENTAHORAS	Cód. 3010450
• KIT INTERFACE ADAPTER RMG TO PC	Cód. 3002719

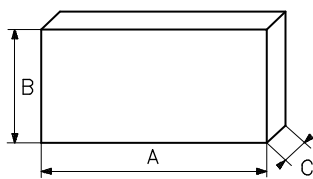
• **RAMPA DE GAS QUE SE DEBE COMBINAR CON EL QUEMADOR SEGÚN LA NORMA EN 676 (con válvulas, regulador de presión y filtro):** véase página 9.

NOTA: El instalador es responsable de la eventual incorporación de dispositivos de seguridad no previstos en este manual.

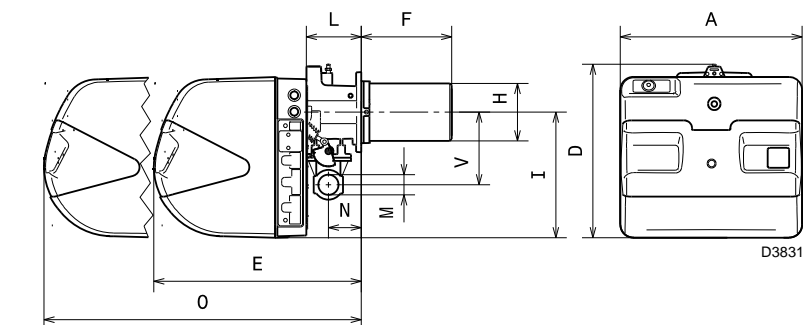


(A)

mm	A	B	C	kg
RS 34/M MZ	1000	500	485	32
RS 44/M MZ	1000	500	485	33



(B)



(C)

mm	A	D	E	F (1)	H	I	L	O	N	V	M
RS 34/M MZ	442	422	508	216-351	140	305	138	780	84	177	1"1/2
RS 44/M MZ	442	422	508	216-351	152	305	138	780	84	177	1"1/2

(1) Tubo de llama: corto-largo

DESCRIPCIÓN DEL QUEMADOR (A)

- 1 Cabezal de combustión
- 2 Electrodo de encendido
- 3 Tornillo regulación cabezal de combustión
- 4 Presostato de aire (tipo diferencial)
- 5 Sonda para controlar la presencia de llama
- 6 Toma de presión de aire
- 7 Toma de presión de gas y tornillo fijación cabezal
- 8 Tornillo fijación del ventilador al soporte quemador
- 9 Guías para abertura del quemador e inspección del cabezal de combustión
- 10 Servomotor, para el control de la válvula de mariposa del gas y, mediante una leva de perfil variable, el registro del aire. Cuando el quemador está parado, el registro del aire está completamente cerrado para reducir al mínimo la dispersión térmica de la caldera debido al tipo del conducto de humos que toma aire de la boca de aspiración del ventilador.
- 11 Zonas de paso de los cables eléctricos
- 12 Entrada aire del ventilador
- 13 Conducto entrada gas
- 14 Válvula mariposa gas
- 15 Brida para fijación a la caldera
- 16 Disco estabilizador de llama
- 17 Visor llama
- 18 Un interruptor para funcionamiento:
automático - manual - paro
Un pulsador para:
aumento - disminución de potencia
- 19 Contador motor y relé térmico con botón de desbloqueo (RS 44/M MZ trifásica)
- 20 Condensador motor (RS 34-44/M MZ monofásico)
- 21 Caja de control con piloto luminoso de bloqueo y pulsador de desbloqueo
- 22 Tomas para la conexión eléctrica
- 23 Registro de aire
- 24 Conector macho-hembra cable sonda de ionización
- 25 Alargadores guías (versión cabezal largo)
- 26 Cubierta para conector hembra de 4 contactos (véase apéndice cuadro eléctrico)

Hay dos posibilidades de bloqueo del quemador:

• **BLOQUEO CAJA DE CONTROL:**

La iluminación del pulsador de la caja de control 21)(A) indica que el quemador está bloqueado.

Para desbloquear, oprimir el pulsador.

- **BLOQUEO MOTOR (RS 44/M MZ trifásica):** alimentación eléctrica trifásica; para desbloquear, oprimir el pulsador del relé térmico 19)(A).

EMBALAJE - PESO (B) - medidas aproximadas

- Los quemadores se expiden en embalaje de cartón, cuyas dimensiones se especifican en la tabla (B).

- El peso del quemador completo con embalaje se indica en la tabla (B).

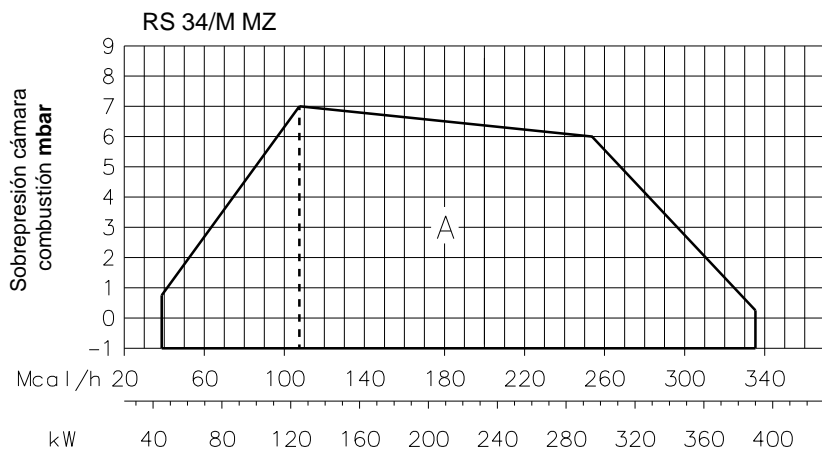
DIMENSIONES MÁXIMAS (C) - medidas aproximadas

Las dimensiones máximas del quemador se indican en (C).

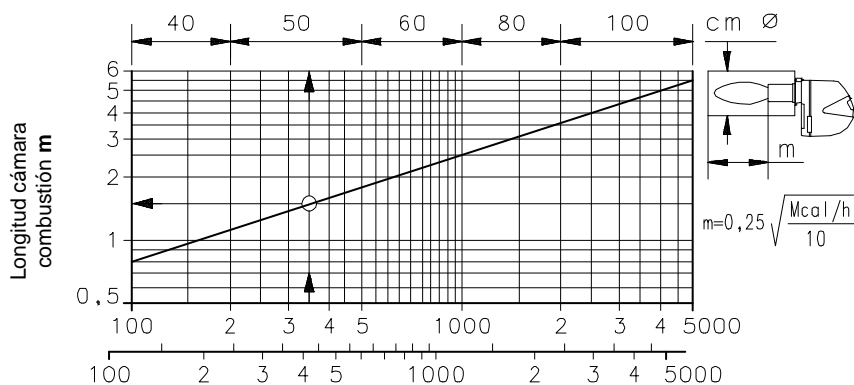
Tener en cuenta que para inspeccionar el cabezal de combustión el quemador se debe desplazar hacia atrás.

FORMA DE SUMINISTRO

- 1 - Brida conexión rampa de gas
- 1 - Junta brida
- 4 - Tornillos M 8 x 25 fijación brida
- 4 - Tornillos para fijar la brida del quemador a la caldera M 8 x 25
- 1 - Junta aislante
- 3 - Conectores para el cable de conexión (RS 34-44/M MZ monofásico)
- 4 - Conectores para el cable de conexión (RS 44/M MZ trifásico)
- 1 - Instrucciones
- 1 - Lista de recambios



(A) D9304



(B) D497

CAMPOS DE TRABAJO (A)

Durante el funcionamiento, la potencia del quemador varía entre:

- una **POTENCIA MÁXIMA**, situada en la zona A,
- y una **POTENCIA MÍNIMA**, que no debe ser inferior al límite mínimo del gráfico:

RS 34/M MZ = 45 kW

RS 44/M MZ = 80 kW

Atención

El CAMPO DE TRABAJO se ha calculado considerando una temperatura ambiente de 20°C, una presión barométrica de 1013 mbar (aprox. 0 metros sobre el nivel del mar) y con el cabezal de combustión regulado como se indica en la página 8.

CALDERA DE PRUEBA (B)

Los campos de trabajo se han obtenido con calderas de prueba especiales, según la norma EN 676.

En la figura (B) se indica el diámetro y longitud de la cámara de combustión de prueba.

Ejemplo:

Potencia: 350 Mcal/h

diámetro 50 cm - longitud 1,5 m.

CALDERAS COMERCIALES

En el acoplamiento quemador-caldera no hay ningún problema si la caldera tiene la homologación CE y si las dimensiones de la cámara de combustión se aproximan a las indicadas en el gráfico (B).

Si por el contrario el quemador debe instalarse en una caldera comercial no homologada CE o con dimensiones de cámara de combustión mucho más pequeñas que las indicadas en el gráfico (B), se debe consultar al fabricante.

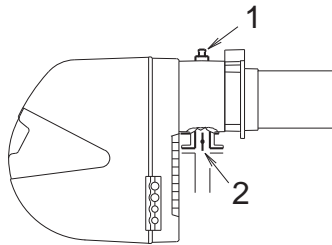
Además, para calderas de inversión es aconsejable controlar la longitud de cabezal de combustión tal como prescribe el constructor de la caldera.

RS 34/M MZ

kW	1 Δp (mbar)	2 Δp (mbar)
	G20	G20
130	1,5	0,1
140	2,0	0,1
160	2,9	0,1
180	3,8	0,2
200	4,6	0,2
220	5,5	0,3
240	6,4	0,3
260	7,3	0,4
280	8,2	0,4
300	9,1	0,5
320	10,0	0,5
340	10,9	0,6
360	11,8	0,7
380	12,7	0,8
390	13,1	0,8

RS 44/M MZ

kW	1 Δp (mbar)	2 Δp (mbar)
	G20	G20
200	3,0	0,2
225	4,0	0,3
250	4,9	0,3
275	5,9	0,4
300	6,9	0,5
325	7,9	0,6
350	8,9	0,6
375	9,8	0,7
400	10,8	0,8
425	11,8	1,0
450	12,8	1,1
475	13,8	1,2
500	14,7	1,3
525	15,7	1,5
550	16,7	1,6

(A)**(B)**

S8738

PRESIÓN DEL GAS

Las tablas que hay al margen indican las pérdidas de carga mínimas de la línea de alimentación de gas en función de la potencia máxima del quemador.

Columna 1

Pérdida de carga cabezal de combustión.

Presión del gas en la toma 1)(B), con cámara de combustión a 0 mbar.

Columna 2

Pérdida de carga registro mariposa gas 2)(B) con abertura máxima: 90°.

Los valores indicados en las tablas se refieren a: gas natural G 20 PCI 9,45 kWh/Sm³ (8,2 Mcal/Sm³)

Para conocer la potencia MÁX aproximada a la que está funcionando el quemador:

- Restar a la presión del gas en la toma 1)(B) la presión de la cámara de combustión.
- Hallar en la tabla relativa al quemador que se considere, el valor de presión más cercano al resultado obtenido en la resta.
- Leer a la izquierda la potencia correspondiente.

Ejemplo - RS 34/M MZ:

- Funcionamiento a la MÁX potencia
 - Gas natural G 20 PCI 9,45 kWh/Sm³
 - Presión de gas en la toma 1)(B) = 9,3 mbar
 - Presión en la cámara de combustión = 2 mbar
- $9,3 - 2 = 7,3$ mbar

A la presión de 7,3 mbar, columna 1, corresponde en la tabla RS 34/M MZ una potencia de 260 kW.

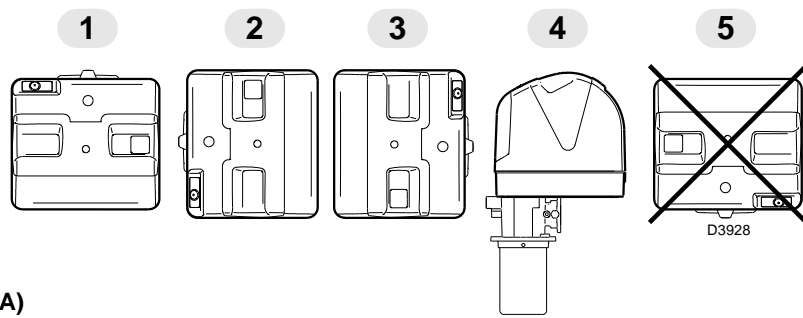
Este valor sirve como primera aproximación; el real se determinará a través del contador.

En cambio, para conocer la presión de gas necesaria en la toma 1)(B), una vez fijada la potencia MÁX a la que se desea que funcione el quemador:

- Hallar la potencia más cercana al valor deseado, en la tabla relativa al quemador que se considere.
- Leer a la derecha, columna 1, la presión en la toma 1)(B).
- Sumar a este valor la sobrepresión estimada de la cámara de combustión.

Ejemplo - RS 34/M MZ:

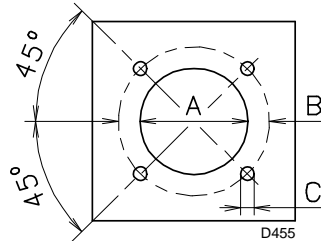
- Potencia MÁX deseada: 260 kW
 - Gas natural G 20 PCI 9,45 kWh/Sm³
 - Presión del gas a la potencia de 260 kW, en la tabla RS 34/M MZ, columna 1A = 7,3 mbar
 - Presión en la cámara de combustión = 2 mbar
- $7,3 + 2 = 9,3$ mbar
- presión necesaria en la toma 1)(B).



(A)

mm	A	B	C
RS 34/M MZ	160	224	M 8
RS 44/M MZ	160	224	M 8

(B)



INSTALACIÓN

⚠ EL QUEMADOR SE DEBE INSTALAR DE CONFORMIDAD CON LAS LEYES Y NORMATIVAS LOCALES.

POSICIÓN DE FUNCIONAMIENTO (A)

⚠ El quemador está preparado exclusivamente para el funcionamiento en las posiciones **1, 2, 3 y 4**.

Es conveniente escoger la instalación **1** puesto que es la única que permite el mantenimiento tal como descrito a continuación en este manual. Las instalaciones **2, 3 y 4** permiten el funcionamiento pero complican las operaciones de mantenimiento y de inspección del cabezal de combustión pág. 15.

⊘ Otra posición se debe considerar comprometedor para el funcionamiento correcto del aparato. La instalación **5** está prohibida por motivos de seguridad.

PLACA CALDERA (B)

Taladrar la placa de cierre de la cámara de combustión tal como se indica en (B). Puede marcarse la posición de los orificios roscados utilizando la junta aislante que se suministra con el quemador.

LONGITUD TUBO LLAMA (C)

La longitud del tubo de llama debe seleccionarse de acuerdo con las indicaciones del fabricante de la caldera y, en cualquier caso, debe ser mayor que el espesor de la puerta de la caldera completa, con el material refractario incluido.

Las longitudes, L (mm), disponibles son:

Tubo llama 10)	RS 34/M MZ	RS 44/M MZ
• corto	216	216
• largo	351	351

Para calderas con pasos de humos delanteros 13) o con cámara de inversión de llama, colocar una protección de material refractario 11) entre el refractario de la caldera 12) y el tubo de llama 10). Esta protección debe permitir el desplazamiento del tubo de llama. En calderas con frontal refrigerado por agua, no es necesario el revestimiento refractario 11)-12)(C), salvo que lo indique el fabricante de la caldera.

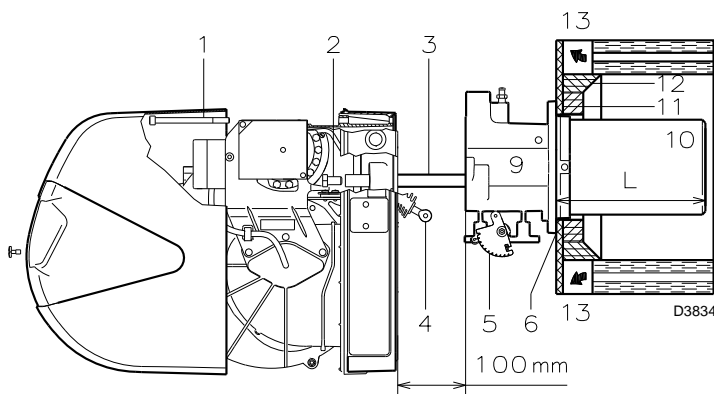
FIJACIÓN DEL QUEMADOR A LA CALDERA (C)

Antes de fijar el quemador a la caldera, verificar (a través de la abertura del tubo de llama) si la sonda y el electrodo de encendido están correctamente posicionados como se muestra en la figura (D). Separar luego el cabezal de combustión del resto del quemador, fig. (C):

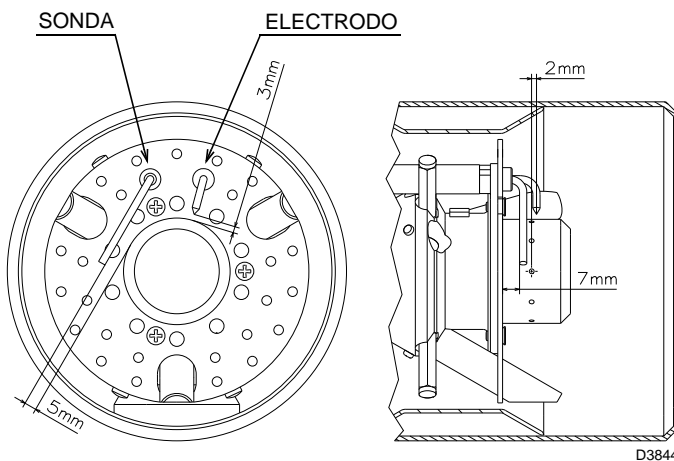
- **desenganchar la articulación 4) del sector graduado 5);**
- **desenroscar los tornillos 2) de las dos guías 3);**
- **desenroscar los tornillos 1) y desplazar el quemador por las guías 3) unos 100 mm;**
- **desconectar los cables de la sonda y del electrodo y desplazar todo el quemador.**

Fijar el grupo 9)(C) a la placa de la caldera interponiendo la protección aislante 6)(C) suministrada de serie. Utilizar los 4 tornillos que se suministran, después de haber protegido la rosca con algún producto antibloqueo. El acoplamiento del quemador con la caldera debe ser hermético.

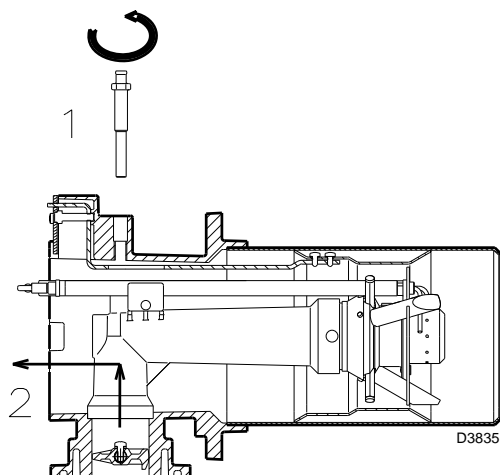
Si en la verificación anterior, la posición de la sonda o del electrodo no era correcta, desenroscar el tornillo 1)(E), extraer la parte interior 2)(E) del cabezal y calibrelos. No hacer girar la sonda, sino dejarla como se indica en (D); ya que si se sitúa demasiado cerca del electrodo de encendido podría dañar el amplificador de la caja de control.



(C)

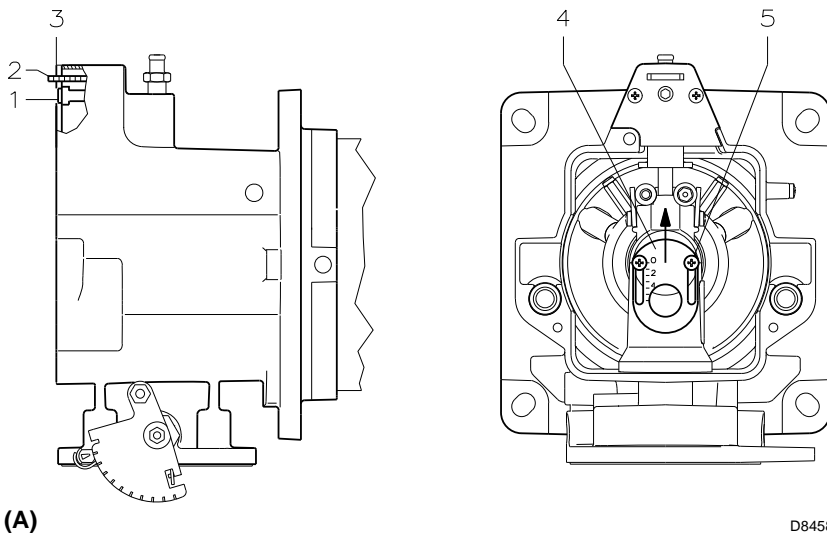


(D)



(E)

⚠ ATENCIÓN
Proceda al montaje de la parte interna 2)(E) del cabezal de combustión apretando el tornillo 1)(E) con par de apriete igual a $4 \div 6 \text{ Nm}$.



(A)

D8458

REGULACIÓN DEL CABEZAL DE COMBUSTIÓN

En este punto de la instalación, el tubo de llama y el soporte quemador se fijan a la caldera como se indica en la fig. (A). De esta manera se agiliza notablemente la regulación del cabezal de combustión.

Regulación aire (A - B)

Girar el tornillo 1)(A) hasta que coincida el número de posición hallada 2)(A) con el plano de la placa 3)(A).

Ejemplo:

Quemador RS 44/M MZ, potencia = 300 kW.

Del diagrama (B) se desprende que para la potencia MÁX de 300 kW la regulación del aire se debe situar en la posición 3, habiéndole restado el valor de presión en la cámara. En este caso, la pérdida de presión del cabezal de combustión se facilita en la columna 1 de la pág. 6.

Nota

Si la presión en la cámara es igual a 0 mbar, la regulación del aire se realiza tomando como referencia la línea discontinua del diagrama (B).

Regulación aire central (A - C)

Si la aplicación específica requiere una regulación particular, se puede modificar el caudal de aire central mediante la tuerca 4)(A) hasta la muesca que se indica en el diagrama (C).

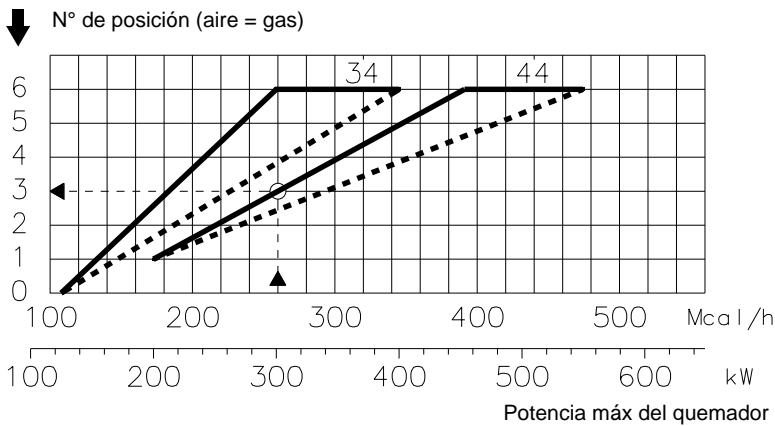
Para realizar esta operación aflojar los tornillos 5)(A) y levantar la tuerca 4)(A). Luego, bloquear nuevamente los tornillos 5)(A).

Finalizada la regulación del cabezal, volver a montar el quemador 4)(D) en las guías 3)(D) a unos 100 mm del collarín 5)(D) - quemador en la posición que muestra la fig. (C)p. 7 - conectar los cables de la sonda y del electrodo y a continuación desplazar el quemador hasta el collarín, quemador en la posición que muestra la fig. (D).

Volver a colocar los tornillos 2) en las guías 3). Fije el quemador al collarín utilizando los tornillos 1).

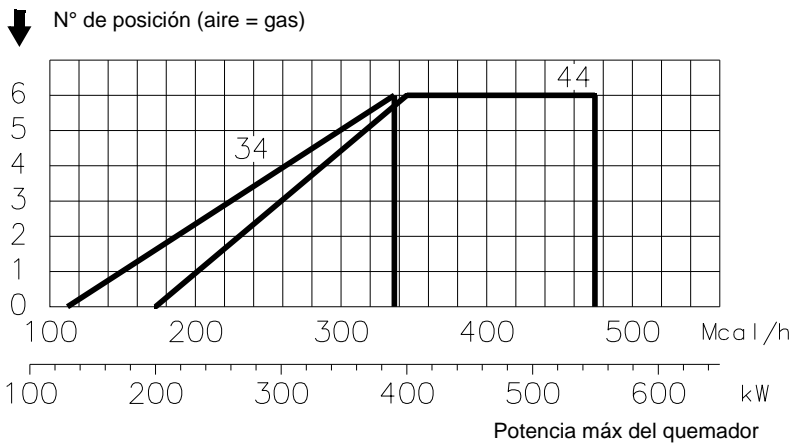
Atención

En el momento de cerrar el quemador en las guías, es conveniente tirar suavemente hacia afuera del cable de alta tensión y de la sonda para controlar la presencia de llama, hasta que estén ligeramente tensados.



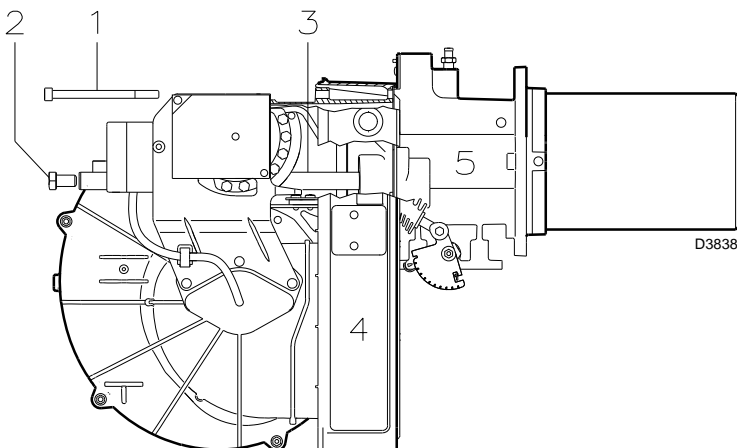
(B)

D3837



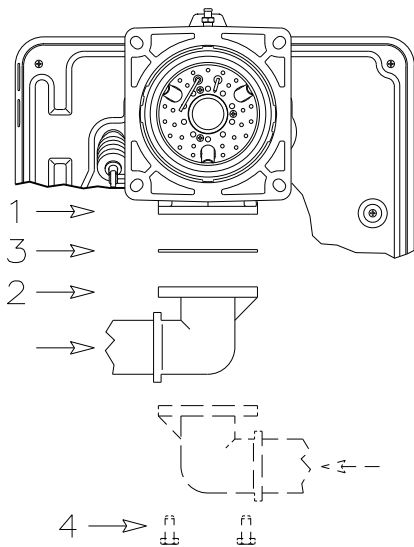
(C)

D8577



(D)

D3838



(A)

D3839

LÍNEA ALIMENTACIÓN DE GAS

- La rampa de gas va acoplada a la conexión de gas 1)(A), mediante la brida 2), la junta 3) y los tornillos 4, que se suministran con el quemador.
- La rampa puede llegar por la derecha o por la izquierda, según convenga. ver fig. (A).
- Las electroválvulas del gas deben estar lo más cerca posible del quemador, para asegurar la llegada del gas al cabezal de combustión en el tiempo de seguridad de 3s.

RAMPA DE GAS (B)

Está homologada según la norma EN 676 y se suministra por separado, con el número de referencia que se indica en la tabla (C).

LEYENDA (B)

- 1 - Conducto llegada gas
- 2 - Válvula manual
- 3 - Junta antivibratoria
- 4 - Manómetro con válvula de pulsador
- 5 - Multibloc que incluye:
 - filtro (sustituible)
 - válvula de funcionamiento
 - regulador de presión
- 6 - Presostato gas de mínima
- 7 - Dispositivo de control de la estanqueidad de las válvulas.
Según la norma EN 676, el control de estanqueidad es obligatorio para quemadores con potencia máxima superior a 1200 kW.
- 8 - Junta
- 9 - Registro mariposa de gas
- 10 - Presostato gas de máxima (accesorio)
- 11 - Adaptador rampa de gas-quemador

P1 - Presión en el cabezal de combustión
P2 - Presión por encima de las válvulas/regulador

L - Rampa de gas suministrada por separado, con el N° de Ref. que se indica en la tabla (C)

L1 - A cargo del instalador

LEYENDA TABLA (C)

C.T.= Dispositivo de control de estanqueidad de las válvulas de gas:

- = Rampa sin dispositivo de control de estanqueidad; dispositivo que se puede pedir por separado, véase columna 7, y ser montado sucesivamente.

◆ = Rampa con dispositivo de control de estanqueidad montado.

7 = Dispositivo de control de estanqueidad válvulas VPS.

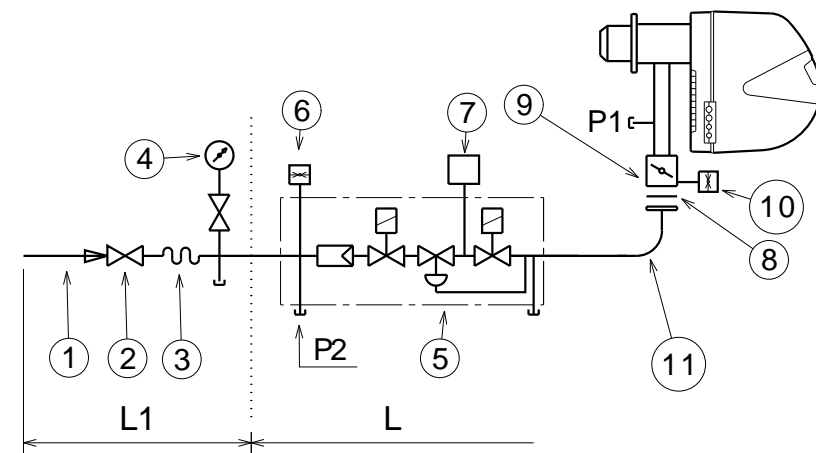
Se suministra aparte de la rampa de gas, sobre demanda.

11 = Adaptador rampa-quemador.

Se suministra aparte de la rampa de gas, sobre demanda.

Nota

Para la regulación de la rampa de gas, ver las instrucciones que acompañan a la misma.



(B)

D3791

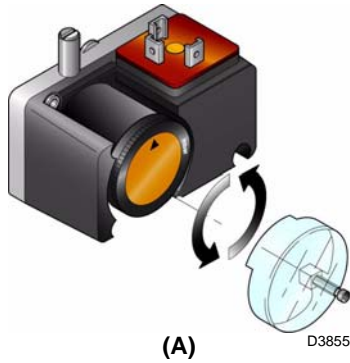
QUEMADORES Y RAMPAS DE GAS HOMOLOGADAS SEGÚN NORMA EN 676

RAMPAS DE GAS L				QUEMADOR		7	11
Código	Modelo	Ø	C.T.	RS 34/M	RS 44/M	Código	Código
3970599	MB 407/1 - RT 52	3/4"	-	-	•	-	3000824
3970553	MB 407/1 - RT 20	3/4"	-	•	•	3010123	3000824
3970229*	MB 407/1 - RSM 20	3/4"	-	•	•	3010123	3000824
3970554	MB 410/1 - RT 20	1"	-	•	•	3010123	3000824
3970230*	MB 410/1 - RSM 20	1"	-	•	•	3010123	-
3970144	MB 412/1 - RT 20	1"1/4	-	•	•	3010123	-
3970231*	MB 412/1 - RSM 20	1"1/4	-	•	•	3010123	-
3970180	MB 415/1 - RT 30	1"1/2	-	•	•	3010123	-
3970232*	MB 415/1 - RSM 30	1"1/2	-	•	•	3010123	-
3970181	MB 420/1 - RT 30	2"	-	•	•	3010123	3000822
3970233*	MB 420/1 - RSM 30	2"	-	•	•	3010123	3000822
3970182	MB 420/1 CT RT 30	2"	◆	•	•	-	-
3970234*	MB 420/1 CT RSM 30	2"	◆	•	•	-	-

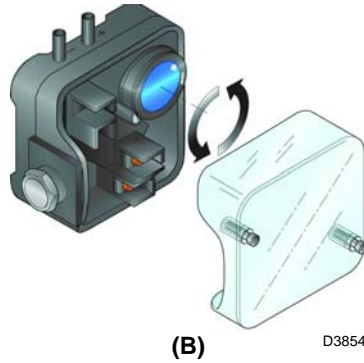
* Rampas con conector macho de seis contactos para la conexión al quemador.

(C)

PRESOSTATO GAS DE MÍN.



PRESOSTATO AIRE



REGULACIONES PREVIA AL ENCENDIDO

⚠ ATENCION

EL PRIMER ENCENDIDO DEBE SER REALIZADO POR PERSONAL CUALIFICADO Y CON LAS HERRAMIENTAS IDÓNEAS.

La regulación del cabezal de combustión, aire y gas, ya se ha descrito en la pág. 7.

Efectuar, además, las siguientes regulaciones:

- Abrir las válvulas manuales situadas antes de la rampa de gas.
- Regular el presostato gas de mínima al inicio de la escala (A).
- Regular el presostato aire al inicio de la escala (B).
- Purgar el aire de la línea de gas.

Es aconsejable evacuar el aire purgado al exterior del edificio (mediante un tubo de plástico) hasta notar el olor característico del gas.

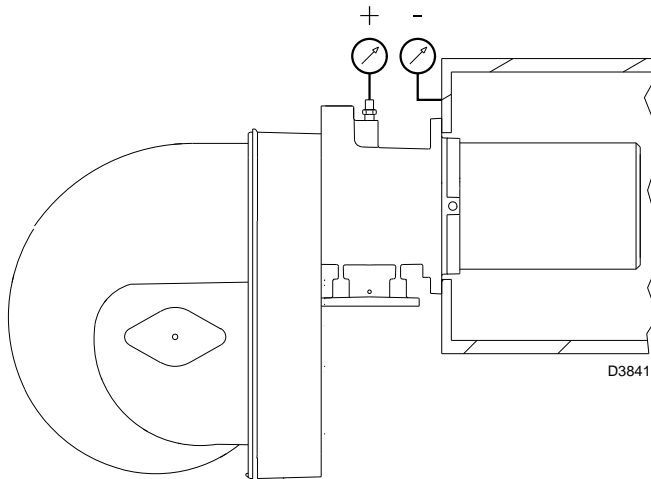
- Instalar un manómetro (C) en la toma de presión del collarín.

Sirve para calcular, aproximadamente, la potencia MÁX del quemador mediante las tablas de la pág. 6.

- Conectar en paralelo a las dos electroválvulas de gas VR y VS, dos lámparas o un tester para controlar el momento de la llegada de tensión.

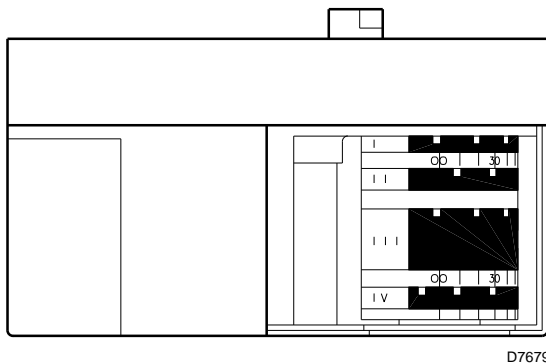
Esta operación no es necesaria si cada una de las electroválvulas va equipada de una luz piloto que señale la presencia de tensión eléctrica.

Antes de poner en marcha el quemador, es conveniente regular la rampa de gas de forma que el encendido se produzca en condiciones de máxima seguridad, es decir, con un pequeño caudal de gas.

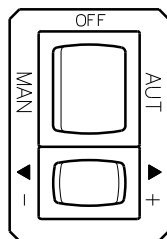


(C)

SERVOMOTOR



(D)



(E)

D3833

SERVOMOTOR (D)

El servomotor regula simultáneamente el registro del aire por la leva de perfil variable y la válvula de mariposa del gas.

El ángulo de rotación del servomotor es igual al ángulo del sector graduado de la válvula de mariposa del gas.

El servomotor gira 90° en 24 segundos.

No modificar la regulación efectuada en fábrica de las 4 levas con que va dotado; verificar simplemente que las levas estén reguladas del siguiente modo:

Leva I : 90°

Limita la rotación máxima. Con el quemador funcionando a la MÁX potencia, la válvula de mariposa del gas debe estar completamente abierta: 90°.

Leva II : 0°

Limita la rotación hacia el mínimo.

Con el quemador parado, el registro de aire y la válvula de mariposa del gas deben estar cerrados: 0°.

Leva III : 15°

Regula la posición de encendido y de la potencia MIN.

Leva IV : Unidos a la leva III

PUESTA EN MARCHA DEL QUEMADOR

Cerrar los termostatos y poner el interruptor 1)(E) en la posición "MAN".

Tan pronto se pone en marcha el quemador, controlar el sentido de giro de la turbina del ventilador a través del visor de llama 17)(A)p.4.

Verificar que las lámparas o el tester conectados a las electroválvulas, o las luces piloto de las propias electroválvulas, indiquen ausencia de tensión. Si señalan que hay tensión, parar inmediatamente el quemador y comprobar el conexionado eléctrico.

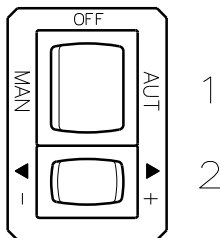
ENCENDIDO DEL QUEMADOR

Después de haber efectuado las operaciones descritas en el apartado anterior, el quemador debe de encenderse. Si el motor arranca pero no aparece llama y la caja de control se bloquea, rearmarla y efectuar un nuevo intento de puesta en marcha. Si el encendido sigue sin producirse, puede ser debido a que el gas no llega al cabezal de combustión en el tiempo de seguridad de 3 segundos. En tal caso, aumentar el caudal de gas en el encendido. La llegada de gas al quemador puede observarse en el manómetro (C). Una vez efectuado el encendido, se procederá a la regulación completa del quemador.



En caso de parada del quemador, para evitar daños en la instalación, no desbloquear el quemador más de dos veces seguidas. Si el quemador se bloquea por tercera vez, contactar con el servicio de asistencia.

Si se produjeran otros bloqueos o anomalías en el quemador, las intervenciones deben ser realizadas únicamente por personal habilitado y autorizado, de acuerdo a lo indicado en este manual y en conformidad con las normas y disposiciones de ley vigentes.



D3833

(A)

REGULACIÓN DEL QUEMADOR

Para lograr una regulación óptima del quemador, es necesario efectuar un análisis de los gases de combustión en la base de la chimenea.

Hay que regular en secuencia:

- 1 - Potencia de encendido (mínima)
- 2 - Potencia MÁX
- 3 - Potencias intermedias entre MÁX y MÍN
- 4 - Presostato aire
- 5 - Presostato gas de mínima

DETERMINACIÓN DE LA POTENCIA DE ENCENDIDO (MÍNIMA)

Según norma EN 676.

Quemadores con potencia MÁX hasta 120 kW

El encendido puede efectuarse a la potencia máxima de funcionamiento. Ejemplo:

- potencia máxima de funcionamiento: 120 kW
- potencia máxima de encendido : 120 kW

Quemadores con potencia MÁX superior a 120 kW

El encendido debe efectuarse a una potencia reducida respecto a la potencia máxima de funcionamiento.

Si la potencia de encendido no supera los 120 kW, no es necesario hacer ningún cálculo. En cambio, si la potencia supera los 120 kW, la norma establece que su valor sea definido en función del tiempo de seguridad "ts" de la caja de control:

para "ts" = 3s la potencia de encendido debe ser igual o inferior a 1/3 de la potencia máxima de funcionamiento.

Ejemplo:

Potencia MÁX de funcionamiento 450 kW.

La potencia de encendido debe ser igual o inferior a 150 kW con ts = 3s

Para medir la potencia de encendido:

- Desconectar el conector macho-hembra 24)(A)p.4 del cable de la sonda de ionización (el quemador se enciende y se bloquea pasado el tiempo de seguridad).
- Efectuar 10 encendidos con bloqueos consecutivos.
- Leer en el contador la cantidad de gas consumido.

Esta cantidad debe ser igual o inferior a la que nos da la fórmula, para ts = 3s:

$$Vg = \frac{Qa \text{ (caudal máx. quemador) } \times n \times ts}{3600}$$

Vg: volumen erogado en los encendidos realizados (Sm³)

Qa: caudal de encendido (Sm³/h)

n: número de encendidos (10)

ts: tiempo de seguridad (seg.)

Ejemplo para gas G 20 (9,45 kWh/Sm³):

potencia de encendido 150 kW

correspondientes a 15,87 Sm³/h.

Después de 10 encendidos con bloqueo, el caudal de gas medido en el contador debe ser igual o inferior a:

$$Vg = \frac{15,87 \times 10 \times 3}{3600} = 0,132 \text{ Sm}^3$$

1 - POTENCIA DE ENCENDIDO (MÍNIMA)

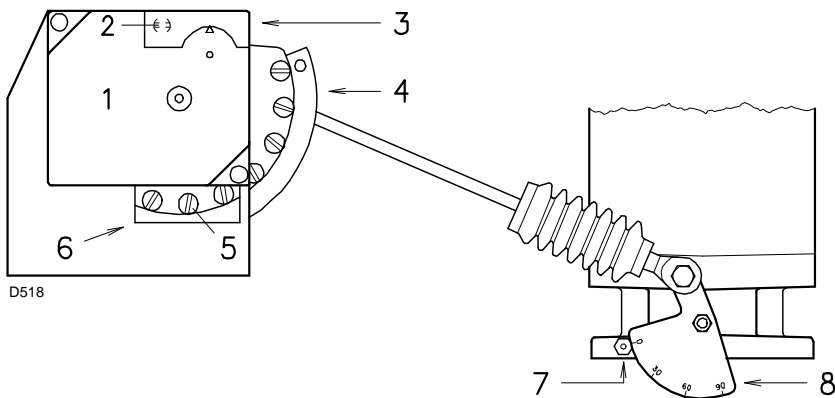
La potencia MÍN se elige dentro del campo de trabajo que se indica en la pág. 5.

Apretar el botón 2)(A) "disminución de potencia" y mantenerlo oprimido hasta que el servomotor haya cerrado el registro del aire y la válvula de mariposa del gas hasta 15° (ajuste de fábrica).

Regulación del gas

Medir el caudal de gas en el contador.

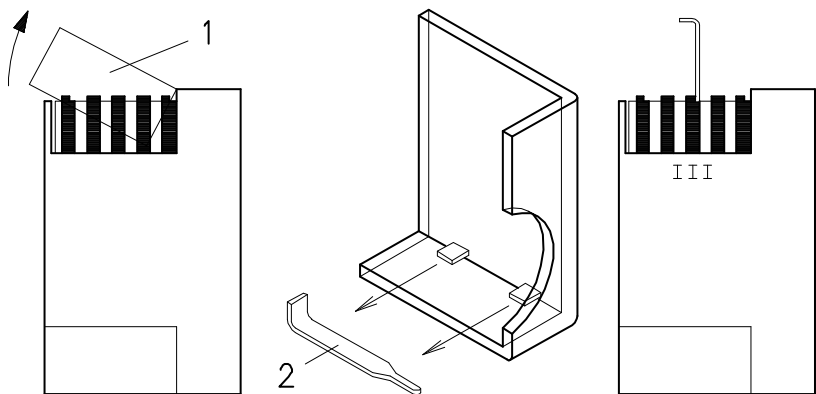
- Si se desea disminuir, reducir un poco el ángulo de la leva III fig.(B)p.12 mediante cortos desplazamientos consecutivos, es decir, pasando del ángulo de 15° a 13° - 11°....
 - Si se desea aumentarlo, pulsar un poco el botón "aumento de potencia" 2)(A) (abrir de 10-15° la válvula de mariposa del gas), aumentar el ángulo de la leva III fig.(B)p.12 mediante cortos desplazamientos consecutivos, es decir, pasando del ángulo de 15° a 17° - 19°....
- Apretar después el botón "disminución de potencia" hasta situar el servomotor en la posición de mínima apertura y medir el caudal del gas.



D518

- | | |
|-----------------------------------|--|
| 1 Servomotor | 5 Tornillos regulación perfil variable |
| 2 ⊖ Bloqueo / ⊕ Desbloqueo leva 4 | 6 Abertura acceso tornillos 5 |
| 3 Tapa levas | 7 Índice del sector graduado 8 |
| 4 Leva de perfil variable | 8 Sector graduado válvula de mariposa |

(A)



D793

(B)

NOTA

El servomotor sigue la regulación de la leva III sólo cuando se reduce el ángulo de la misma. Si es necesario aumentar el ángulo de la leva, primero hay que incrementar el ángulo del servomotor mediante la tecla "aumento de potencia", luego aumentar el ángulo de la leva III y por último volver a llevar el servomotor a la posición de potencia MÍN con la tecla "disminución de potencia".

Para el reglaje eventual de la leva I I I, extraer la tapa 1), sujeta a presión, como se indica en la fig. (B), sacar la chaveta 2) situada en el interior e introducirla en el encaje de la leva III.

Regulación del aire

Variar progresivamente el perfil inicial de la leva 4)(A), actuando sobre los tornillos de la leva que aparecen en el interior de la abertura 6)(A). Si es posible, no girar el primer tornillo, dado que es el que se utiliza para cerrar el registro del aire completamente.

2 - POTENCIA MÁX

La potencia MÁX se elige dentro del campo de trabajo que se indica en la pág. 5.

En la descripción anterior, hemos dejado el quemador encendido, funcionando a la potencia MÍN. Apretar ahora el botón 2)(A)p.11 "aumento de potencia" y mantenerlo apretado hasta que el servomotor haya abierto el registro del aire y la válvula de mariposa del gas a 90°.

Regulación del gas

Medir el caudal de gas en el contador.

A título orientativo, puede determinarse mediante las tablas de la pág. 6, mirando la presión del gas en el manómetro, véase fig.(C)p.10, y siguiendo las indicaciones de la pág. 6.

- Si es necesario reducirlo, disminuir la presión del gas a la salida y, si ya está al mínimo, cerrar un poco la válvula de regulación VR.
- Si es necesario aumentarla, incrementar la presión de gas a la salida del regulador.

Regulación del aire

Variar progresivamente el perfil final de la leva 4)(A), actuando sobre los tornillos de la leva que aparecen en el interior de la abertura 6)(A).

- Para aumentar el caudal de aire, enroscar los tornillos.
- Para disminuir el caudal de aire, desenroscar los tornillos.

3 - POTENCIAS INTERMEDIAS

Regulación del gas

No es necesaria ninguna regulación.

Regulación del aire

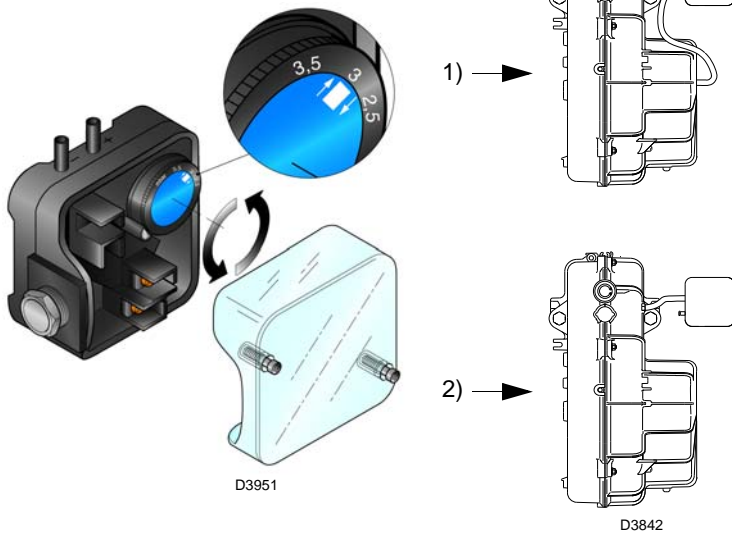
Pulsar un poco el botón 2)(A)p.11 "aumento de potencia" de forma que un nuevo tornillo 5)(A) aparezca en el interior de la abertura 6)(A) y regular hasta obtener una combustión óptima. Proceder del mismo modo con los demás tornillos. Prestar atención para que la variación del perfil de la leva sea progresiva.

Apagar el quemador a través del interruptor 1)(A)p.11, posición OFF), desbloquear la leva de perfil variable, situando la ranura 2)(A) en posición vertical desde el servomotor, y verificar varias veces, haciendo girar a mano la leva hacia adelante y hacia atrás, que el movimiento sea suave y sin atascos.

Si es posible, intentar no desplazar los tornillos de los extremos de la leva, regulados anteriormente para la abertura del registro del aire a la potencia MÁX y MÍN.

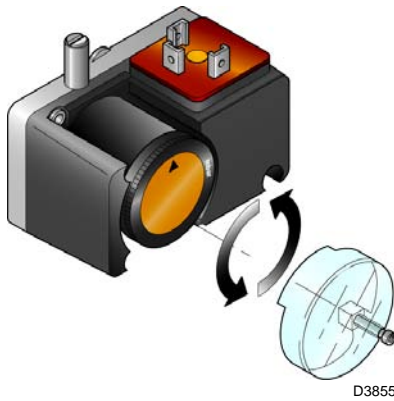
NOTA

Una vez terminada la regulación de las potencias MÁX - MÍN - INTERMEDIAS, volver a verificar el encendido: debe producirse un ruido parecido al de funcionamiento sucesivo. Si se observan pulsaciones, reducir el caudal de encendido.

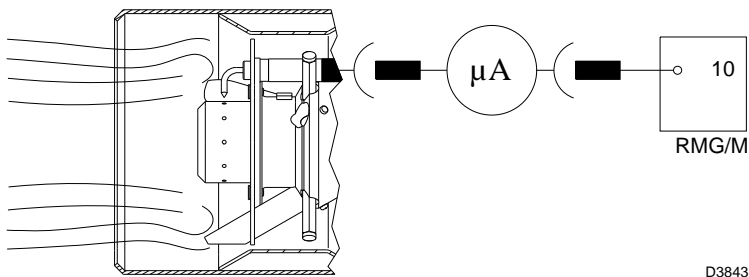


(A)

PRESOSTATO GAS DE MÍNIMA



(B)



(C)

4 - PRESOSTATO AIRE (A)

Efectuar la regulación del presostato de aire, después de haber efectuado todas las demás regulaciones del quemador, con el presostato de aire ajustado al inicio de la escala (A).

Con el quemador funcionando a la potencia MIN, introduzca en la chimenea un analizador de la combustión, cierre lentamente la boca de aspiración del ventilador (por ejemplo con un cartón) hasta que el valor de CO no supere los 100 ppm.

Después gire lentamente la maneta en el sentido de las agujas de reloj hasta que el quemador se bloquee.

A continuación, controle que la flecha indique hacia arriba en la escala graduada (A). Gire nuevamente la maneta en el sentido de las agujas del reloj hasta hacer coincidir el valor indicado en la escala graduada con la flecha indicando hacia abajo (A), se recupera así la histéresis del presostato representada por el campo blanco sobre fondo azul comprendido entre las dos flechas.

Controle ahora el correcto arranque del quemador.

Si el quemador se bloquea de nuevo, girar el botón un poco más, en sentido contrario a las agujas del reloj.

El presostato aire instalado puede funcionar de manera "diferencial" si se conecta con dos tubos véase 1)(A). Si una fuerte depresión en la cámara de combustión, en la fase de preventilación, no permite que el presostato aire conmute, la conmutación se puede obtener aplicando un segundo tubo entre el presostato aire y la boca de aspiración del ventilador. De esta manera el presostato funcionará como presostato diferencial.

5 - PRESOSTATO GAS DE MÍNIMA (B)

Con el quemador funcionando a la potencia MÁX, aumentar la presión de regulación girando lentamente en sentido horario el botón que se facilita a tal efecto, hasta que se pare el quemador.

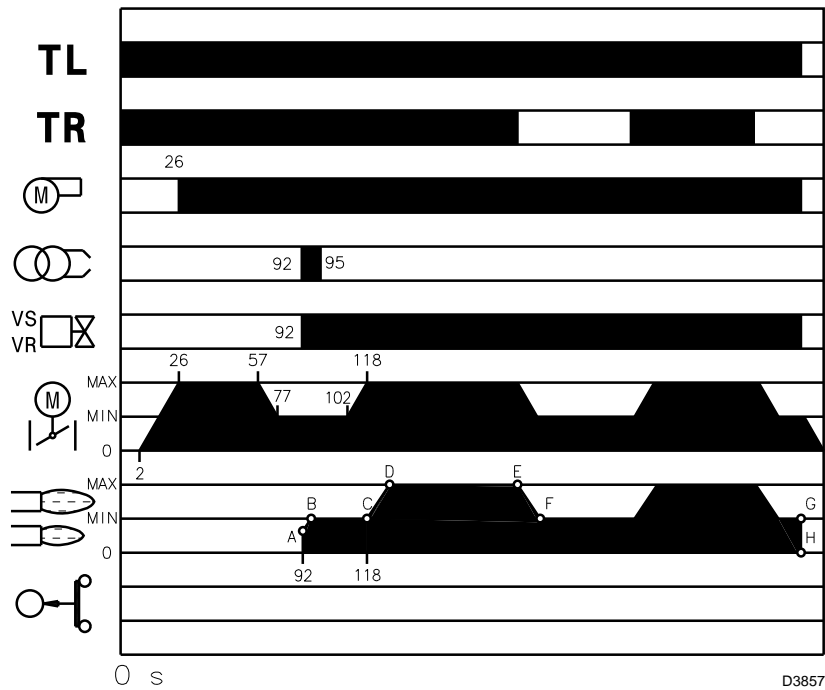
A continuación, girar dicho botón en sentido contrario a las agujas del reloj 5 mbar y repetir el arranque del quemador para verificar la regularidad de funcionamiento.

Si el quemador se para de nuevo, girar el botón en sentido contrario a las agujas del reloj 1 mbar.

CONTROL PRESENCIA LLAMA (C)

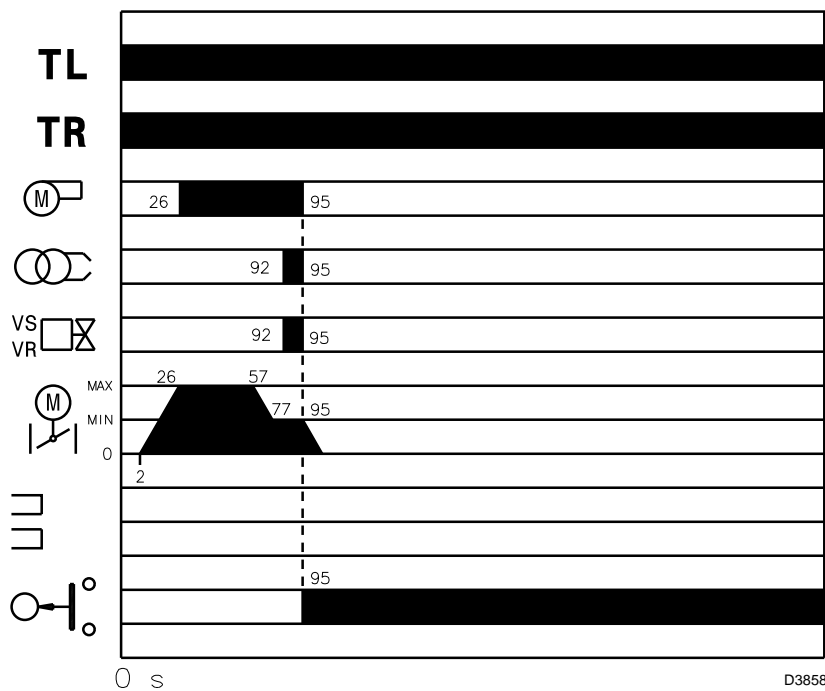
El quemador está dotado de un sistema de ionización para controlar la presencia de la llama. La corriente mínima para el funcionamiento de la caja de control es de 6 μ A. El quemador genera una corriente netamente superior, no precisando normalmente ningún control. Sin embargo, si se desea medir la corriente de ionización, es preciso desenchufar el conector macho - hembra 24)(A)p.4 del cable de la sonda de ionización y conectar un microamperímetro de corriente continua de una baja escala de 100 μ A. Atención a la polaridad.

ENCENDIDO REGULAR
(n° = segundos desde el instante 0)



(A)

FALTA DE ENCENDIDO



(B)

FUNCIONAMIENTO DEL QUEMADOR

PUESTA EN MARCHA DEL QUEMADOR

- 0s: Cierre termostato/presostato TL.
- 2s: Arranca el programa de la caja de control eléctrica. Se pone en marcha el servomotor: gira 90° hacia la izquierda, es decir, hasta la intervención del contacto en la leva I (D)p. 10.
- 26s: El registro de aire llega a la posición de potencia MAX. Arranque motor ventilador. Comienza la fase de preventilación.
- 57s: El servomotor gira hacia la izquierda, hasta el ángulo regulado en la leva III (D)p. 10 para la MÍN potencia.
- 77s: El registro de aire y la mariposa del gas se sitúan en la potencia MÍN (con leva III)(D)p.10 a 15°).
- 92s: Se genera chispa en el electrodo de encendido. Se abren las electroválvulas de seguridad VS y de regulación VR, apertura rápida. Se enciende la llama, con poca potencia, punto A. Sigue un progresivo aumento de la potencia, apertura lenta de la electroválvula VR, hasta la potencia MÍN, punto B.
- 94s: Cesa la chispa.
- 118s: Termina el ciclo de arranque.

FUNCIONAMIENTO A RÉGIMEN (A)

Quegador si el kit para funcionamiento modulante

Una vez terminado el ciclo de arranque, el mando del servomotor pasa al termostato/presostato TR que controla la presión o la temperatura en la caldera, punto C.

(De todas formas, la caja de control eléctrica sigue controlando la presencia de la llama y la correcta posición de los presostatos aire y gas.

- Si la temperatura o la presión es baja y en consecuencia el termostato TR requiera potencia, el quemador aumenta progresivamente la potencia hasta el valor MÁX (segmento C-D).
- Si luego la temperatura o la presión aumenta hasta la conmutación del termostato TR, el quemador reduce progresivamente la potencia hasta el valor MÍN (segmento E-F). Y así sucesivamente.
- El paro del quemador se produce cuando la demanda de calor es inferior a la generada por el quemador a la potencia MÍN (segmento G-H). El termostato/presostato TL se abre, el servomotor vuelve al ángulo 0°. El registro se cierra completamente para reducir las pérdidas de calor al mínimo.

Quegador con el kit para funcionamiento modulante

Ver el Manual de Instrucciones que acompaña al Regulador.

FALTA DE ENCENDIDO (B)

Si el quemador no se enciende se bloquea en 3s después de la apertura de la válvula gas.

EXTINCIÓN DE LA LLAMA DURANTE EL FUNCIONAMIENTO

Si la llama se apaga accidentalmente durante el funcionamiento, el quemador se bloquea en 1 segundo.


CONTROLES FINALES (con el quemador en funcionamiento):


- desconectar un cable del presostato gas de mínima;
 - abrir el termostato/presostato TL;
 - abrir el termostato/presostato TS;
- el quemador debe detenerse.
- Desconectar el tubo de aducción aire en el presostato;
 - desconectar el cable de la sonda de ionización;


el quemador debe bloquearse.

Comprobar que los bloqueos mecánicos de los dispositivos de regulación estén bien apretados.

MANTENIMIENTO

 El quemador precisa un mantenimiento periódico que debe ser ejecutado por personal especializado **y de conformidad con las leyes y normativas locales.**

 El mantenimiento periódico es fundamental para un buen funcionamiento del quemador; y evita asimismo los consumos de combustible excesivos y, por lo tanto, la emisión de agentes contaminantes.

 Antes de realizar cualquier operación de limpieza o control, apague la alimentación eléctrica del quemador utilizando el interruptor principal del sistema.

Combustión

Efectuar el análisis de los gases de combustión que salen de la caldera. Las diferencias significativas respecto al último análisis indicarán los puntos donde deberán centrarse las operaciones de mantenimiento.

Fugas de gas

Comprobar que no haya fugas de gas en el conducto contador-quemador.

Filtro de gas

Sustituir el filtro del gas cuando esté sucio (véase instrucción rampa).

Cabezal de combustión

Abrir el quemador y verificar que todas las partes del cabezal de combustión estén intactas, no estén deformadas por las altas temperaturas, no tengan suciedad proveniente del ambiente y estén correctamente posicionadas. En caso de duda, desmonte el codo.

Servomotor

Desbloquear la leva 4)(A)p.12, girando 90° la ranura 2)(A)p.12 y controlar manualmente que su rotación, hacia adelante y hacia atrás, se efectúe con facilidad. Bloquear de nuevo la leva 4)p.12.

Quemador

Verificar que no haya un desgaste anormal o tornillos flojos en los mecanismos que controlan el registro del aire y la válvula de mariposa del gas. Igualmente, los tornillos que fijan los cables eléctricos en la regleta del quemador deben estar bien apretados.

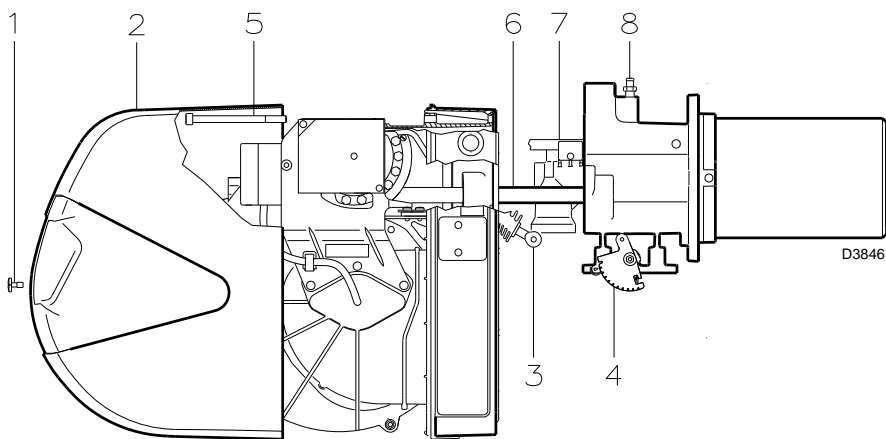
Limpiar exteriormente el quemador, en particular las rótulas y la leva 4)(A)p.12.

Combustión

Regular el quemador si los valores de la combustión obtenidos al inicio de la intervención no cumplen las Normas en vigor o no corresponden a una buena combustión.

Anotar en una ficha de control los nuevos valores de la combustión; serán útiles para controles sucesivos.

APERTURA DEL QUEMADOR



(A)

PARA ABRIR EL QUEMADOR (A):

- Cortar la tensión.
- Quitar el tornillo 1) y extraer la cubierta 2).
- **Soltar la rótula 3) del sector graduado 4).**
- Quitar el tornillo 5) sólo si el modelo es de cabezal largo, retrase aproximadamente 100 mm el quemador sobre las guías 6). Desconectar los cables de la sonda y del electrodo y desplazar todo el quemador.

En este punto es posible extraer el distribuidor de gas 7), después de haber desenroscado el tornillo 8).

Quite los tornillos 2)(B)p. 7 y enrosque los dos alargadores 25)(A)p.4 suministrados de serie. Vuelva a apretar los dos tornillos 2)(B)p.7 en la terminal de los alargadores.



ATENCIÓN

Proceda al montaje de la parte interna del cabezal de combustión apretando el tornillo 8)(A) con par de apriete igual a $4 \div 6 \text{ Nm}$.

PARA CERRAR EL QUEMADOR (A):

- Empujar el quemador hasta aproximadamente 100 mm del collarín.
- Volver a conectar los cables y desplazar el quemador hasta que haga tope.
- Volver a colocar el tornillo 5) y tirar delicadamente hacia afuera los cables de sonda y electrodo, hasta tensarlos ligeramente.
- Volver a enganchar la rótula 3) en el sector graduado 4).
- En los modelos de cabezal largo, desenrosque los alargadores y vuelva a colocarlos en su alojamiento; atornille los tornillos 2)(C)p.7 a las guías.
- Volver a colocar el envolvente 2) y fijarlo con el tornillo 1).

MANTENIMIENTO CUADRO ELÉCTRICO

Si es necesario el mantenimiento del cuadro eléctrico 1)(B) se puede retirar sólo el grupo de ventilación 2)(B) y permitir así un más cómodo acceso a los componentes eléctricos.

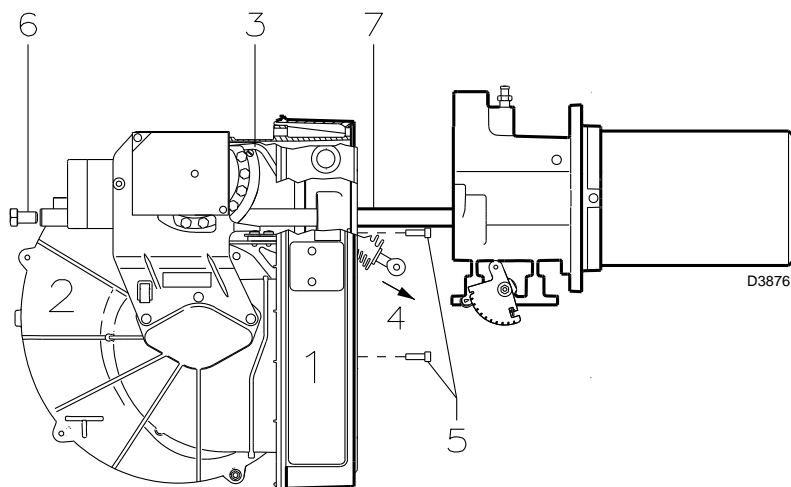
Con el quemador abierto como en la fig. (A), desenganche el tirante 3)(B), quitando los tornillos de la leva de perfil variable, y extraerlo de la extremidad 4)(B).

Desconecte ahora los cableados del presostato aire, servomotor y motor ventilador.

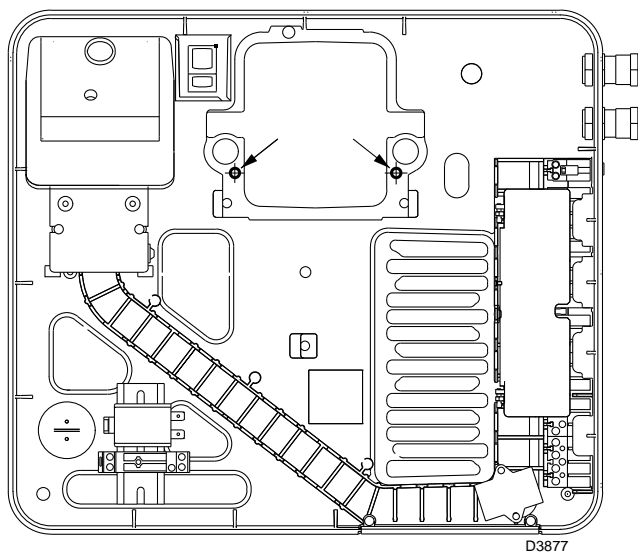
Retire después los tres tornillos 5)(B) que se encuentran en la chapa de protección.

Quitando los dos tornillos 6)(B) se puede extraer el grupo de ventilación 2)(B) de las guías 7)(B).

Por último, se pueden usar 2 de los 3 tornillos 5)(B) para fijar el cuadro eléctrico al collarín, en los puntos indicados en la figura fig. (C), y realizar a continuación las operaciones de mantenimiento.



(B)



(C)

DIAGNOSIS PROGRAMA DE ARRANQUE

Durante el programa de arranque, las indicaciones se explican en la siguiente tabla:

TABLA CÓDIGO COLOR	
Secuencias	Código color
Preventilación	● ● ● ● ● ● ● ● ● ●
Fase de encendido	● ○ ● ○ ● ○ ● ○ ●
Funcionamiento con llama ok	□ □ □ □ □ □ □ □ □ □
Funcionamiento con señal de llama débil	□ ○ □ ○ □ ○ □ ○ □
Alimentación eléctrica inferior a ~ 170V	● ▲ ● ▲ ● ▲ ● ▲ ●
Bloqueo	▲ ▲ ▲ ▲ ▲ ▲ ▲ ▲ ▲
Luz extraña	▲ □ ▲ □ ▲ □ ▲ □ ▲
Leyenda:	○ Apagado ● Amarillo □ Verde ▲ Rojo

DESBLOQUEO CAJA DE CONTROL Y USO DIAGNOSIS

La caja de control suministrada de serie tiene una función diagnóstica mediante la que es posible individualizar fácilmente las posibles causas de un mal funcionamiento (indicación: **DIODO ELECTROLUMINISCENTE (LED) ROJO**).

Para utilizar tal función, hay que esperar por lo menos 10 segundos desde el instante de la puesta en seguridad (**bloqueo**) y apretar después el botón de desbloqueo.

La caja de control genera una secuencia de impulsos (después de un segundo) que se repite a intervalos constantes de 3 segundos.

Una vez controlado el número de destellos e identificada la posible causa, hay que poner en cero el sistema manteniendo apretado el botón durante un tiempo comprendido entre 1 y 3 segundos.

Diodo Electroluminiscente (LED) ROJO encendido espere al menos 10s	Apretar desbloqueo durante > 3s	Intervalo 3s	Impulsos	Impulsos
			● ● ● ● ● ● ● ● ● ●	● ● ● ● ● ● ● ● ● ●

A continuación se enumeran las metodologías posibles para realizar el desbloqueo de la caja de control y para usar la diagnosis.

DESBLOQUEO CAJA DE CONTROL

Para desbloquear la caja de control proceder de la siguiente manera:

- Apretar el botón durante un tiempo comprendido entre 1 y 3 segundos.

El quemador vuelve a arrancar después de una pausa de 2 segundos desde haber soltado el botón. En caso de que el quemador no vuelva a arrancar, es necesario controlar el cierre del termostato límite.



En caso de parada del quemador, para evitar daños en la instalación, no desbloquear el quemador más de dos veces seguidas. Si el quemador se bloquea por tercera vez, contactar con el servicio de asistencia.



Si se produjeran otros bloqueos o anomalías en el quemador, las intervenciones deben ser realizadas únicamente por personal habilitado y autorizado, de acuerdo a lo indicado en este manual y en conformidad con las normas y disposiciones de ley vigentes.

DIAGNOSIS VISUAL

Indica la tipología de avería del quemador que conlleva el bloqueo.

Para visualizar la diagnosis, proceder de la siguiente manera:

- Mantener apretado el botón durante más de 3 segundos desde la condición de led rojo fijo (bloqueo quemador).

El final de la operación se indicará con una luz intermitente amarilla.

Suelte el botón cuando comiencen los destellos amarillos. El número de destellos indica la causa del mal funcionamiento según la codificación indicada en la tabla de la pág. 18.

DIAGNOSIS SOFTWARE

Realiza el análisis de la vida del quemador mediante una conexión óptica a una PC indicando sus horas de funcionamiento, número y tipologías de bloqueos, número de serie de la caja de control, etc...

Para visualizar la diagnosis, proceder de la siguiente manera:

- Mantener apretado el botón durante más de 3 segundos desde la condición de led rojo fijo (bloqueo quemador).

El final de la operación se indicará con una luz intermitente amarilla.

Soltar el botón durante 1 segundo y apretarlo de nuevo después durante más de 3 segundos hasta que aparezca una intermitencia posterior de color amarillo.

Al soltar el botón el led rojo se iluminará de forma intermitente con una frecuencia elevada: sólo entonces será posible introducir la conexión óptica.

Después de haber realizado la operación es necesario restablecer el estado inicial de la caja de control mediante el procedimiento de desbloqueo arriba descrito.

PRESIÓN EN EL BOTÓN	ESTADO DE LA CAJA DE CONTROL
De 1 a 3 segundos	Desbloqueo de la caja de control sin visualizar la diagnosis visual.
más de 3 segundos	Diagnosis visual de la condición de bloqueo: (relampagueo led con intermitencia de un segundo).
Más de 3 segundos desde la condición de diagnosis visual	Diagnosis software mediante ayuda de interfaz óptica y PC (posibilidad de observar las horas de funcionamiento, las anomalías, etc..)

La secuencia de los impulsos emitidos por la caja de control identifica las posible tipologías de averías listadas en la tabla de la pág. 18.

Señal	Anomalia	Causa probable	Solución
2 parpadeos ● ●	Superada la pre-ventilación y el tiempo de seguridad, el quemador se bloquea sin aparecer la llama	1 - La electroválvula de funcionamiento deja pasar poco gas 2 - Una de las dos electroválvulas no se abre. 3 - Presión gas demasiado baja 4 - Electrodo de encendido mal regulado 5 - Electrodo a masa para aislante roto 6 - Cable de alta tensión defectuoso. 7 - Cable de alta tensión deformado por la alta temperatura 8 - Transformador de encendido defectuoso 9 - Conexiones eléctricas válvulas o transformador de encendido incorrectas 10 - Caja de control defectuosa 11 - Una válvula antes de la rampa de gas, cerrada 12 - Aire en las tuberías 13 - Válvulas de gas no conectadas o con bobina interrumpida	Aumentarlo Sustituirlas Aumentarla en el regulador Regularlo Sustituirlo Sustituirlo Sustituirlo y protegerlo Sustituirlo Comprobarlas Sustituirla Abrirla Purgarlo Verificar las conexiones o sustituir bobina
3 parpadeos ● ● ●	El quemador no arranca y aparece el bloqueo El quemador arranca y luego se bloquea Bloqueo durante la pre-ventilación	14 - Presostato aire en posición de funcionamiento - El presostato aire no conmuta por presión aire insuficiente: 15 - Presostato de aire mal regulado 16 - Tubo toma presión del presostato obstruido 17 - Cabezal mal regulado 18 - Alta depresión en el hogar 19 - Contactor mando motor defectuoso. (sólo versión trifásica) 20 - Motor eléctrico defectuoso. 21 - Bloqueo motor (sólo versión trifásica)	Regularlo o sustituirlo Regularlo o sustituirlo Limpiarlo Regularlo Conectar presostato aire a la aspiración ventilador Sustituirlo Sustituirlo Sustituirlo
4 parpadeos ● ● ● ●	El quemador arranca y luego se bloquea Bloqueo al pararse del quemador	22 - Simulación de llama. 23 - Hay llama en el cabezal de combustión o simulación de llama	Sustituir la caja de control Eliminar permanencia de llama o sustituir caja de control
6 parpadeos ● ● ● ● ● ●	El quemador arranca y luego se bloquea	24 - Servomotor defectuoso o mal regulado.	Regularlo o sustituirlo
7 parpadeos ● ● ● ● ● ● ●	El quemador se bloquea al aparecer la llama Bloqueo del quemador en el paso entre potencia mínima y máxima y viceversa En funcionamiento, el quemador se bloquea	25 - La electroválvula de funcionamiento deja pasar poco gas 26 - Sonda de ionización mal regulada. 27 - Ionización insuficiente (inferior a 5 A) 28 - Sonda a masa 29 - Insuficiente puesta a tierra del quemador 30 - Fase y neutro invertidos. 31 - Avería del circuito de detección llama 32 - Demasiado aire o poco gas. 33 - Sonda o cable ionización a masa	Aumentarlo Regularla Controlar posición sonda Separarla o sustituir cable Revisar la puesta a tierra Invertir Sustituir la caja de control Regular el aire y el gas Sustituir la(s) pieza(s) deteriorada(s)
10 parpadeos ● ● ● ● ● ● ● ● ● ●	El quemador no arranca y aparece el bloqueo El quemador se bloquea	34 - Conexiones eléctricas incorrectas. 35 - Caja de control defectuosa 36 - Presencia de perturbaciones electromagnéticas en las líneas de termostatos 37 - Presencia de perturbaciones electromagnéticas	Comprobarlas Sustituirla Filtrarlas o eliminarlas Utilizar el kit protección contra las interferencias radio

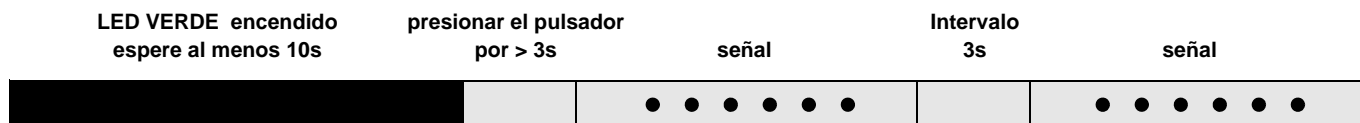
Señal	Anomalía	Causa probable	Solución
Ningún parpadeo	El quemador no arranca	38 - Falta tensión eléctrica	Cerrar interruptores; comprobar conexiones
		39 - Un telemando de límite o de seguridad abierto	Regularlo o sustituirlo
		40 - Fusible de línea fundido	Sustituirlo
		41 - Caja de control defectuosa	Sustituirla
		42 - Falta de gas	Abrir válvulas manuales entre contador y ramba
		43 - Presión gas en red insuficiente	Contacte con la COMPAÑÍA DE GAS
		44 - El presostato gas de mínima no cierra	Regularlo o sustituirlo
		45 - Servomotor no va a la posición de mín. encendido.	Sustituirlo
	El quemador repite el ciclo de arranque sin bloquearse	46 - La presión del gas en red es cercana al valor con el cual se ha regulado el presostato gas de mín. La disminución repentina de presión que sigue a la apertura de la válvula, provoca la apertura temporánea del presostato, inmediatamente la válvula se cierra y se detiene el quemador. La presión vuelve a aumentar, el presostato se cierra y hace que se repita el ciclo de arranque. Y así sucesivamente.	Reducir la presión de intervención del presostato gas de mínima. Sustituir el cartucho del filtro gas.
Encendidos con pulsaciones		47 - Cabezal mal regulado	Regular
		48 - Electrodo de encendido mal regulado	Regularlo
		49 - Registro ventilador mal regulado, demasiado aire.	Regularlo
		50 - Potencia de encendido demasiado elevada	Reducirla
El quemador no alcanza la potencia máxima		51 - Telemando TR no cierra	Regularlo o sustituirlo
		52 - Caja de control defectuosa	Sustituirla
		53 - Servomotor defectuoso	Sustituirlo
El quemador se detiene con el registro de aire abierto		54 - Servomotor defectuoso	Sustituirlo

FUNCIONAMIENTO NORMAL / TIEMPO DE DETECCIÓN LLAMA

La caja de control tiene una función ulterior mediante la que es posible asegurarse del correcto funcionamiento del quemador (señal: **LED VERDE** permanentemente encendido).

Para utilizar tal función, hay que esperar al menos 10 segundos desde el instante de encendido del quemador y presionar el pulsador de la caja de control durante un tiempo mínimo de 3 segundos.

Después de haber soltado el pulsador, el LED VERDE comenzará a parpadear, como ilustra la siguiente imagen.



Los parpadeos del LED aparecen con intervalos de aproximadamente 3 segundos.

El número de parpadeos determinará el TIEMPO DE DETECCIÓN de la sonda desde la apertura de las válvulas gas, según la siguiente tabla.

SEÑAL	TIEMPO DE DETECCIÓN LLAMA
1 parpadeo ●	0.4 s
2 parpadeos ● ●	0.8 s
6 parpadeos ● ● ● ● ● ●	2.8 s

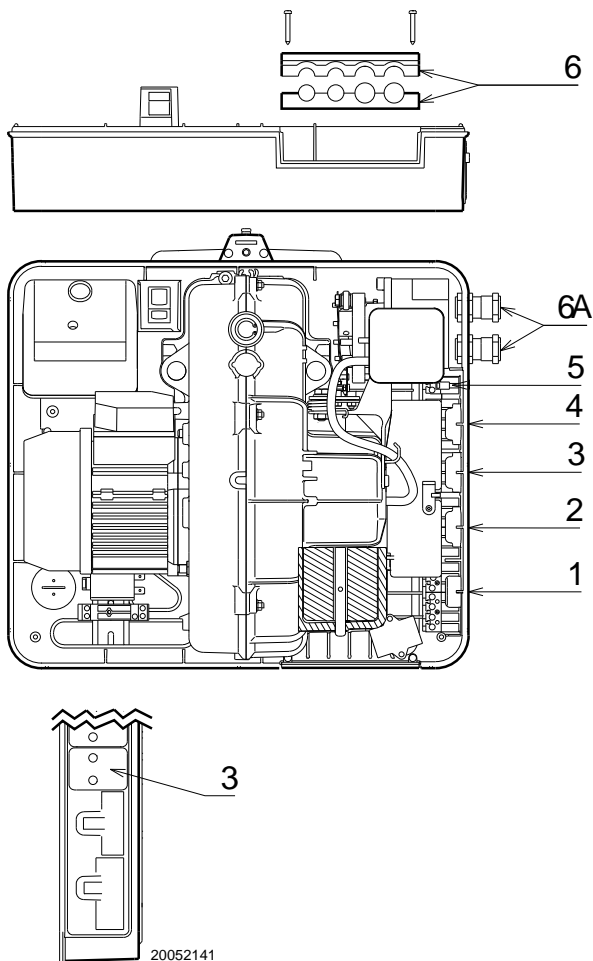
A cada arranque del quemador, se actualiza este dato. Una vez realizada la lectura, apretando brevemente el pulsador de la caja de control, el quemador repite el ciclo de arranque.

ATENCIÓN

Si resulta un tiempo > 2 s se tiene el encendido retrasado. Controle la regulación del freno hidráulico en la válvula gas y la regulación registro de aire y cabezal de combustión.

KIT INTERFACE ADAPTER RMG TO PC Código 3002719

Conexión eléctrica



NOTAS

Las conexiones eléctricas se deben realizar según las normas vigentes del país de destino y por personal cualificado.

Riello S.p.A. declina toda responsabilidad por modificaciones o conexiones diferentes de las indicadas en estos esquemas.

Utilizar cables flexibles según norma EN 60 335-1.

Todos los cables que se conecten al quemador deben pasar por los pasacables.

El uso de los pasacables se puede realizar de formas diferentes; a modo de ejemplo, indicamos la forma siguiente:

RS 34-44/M MZ monofásico

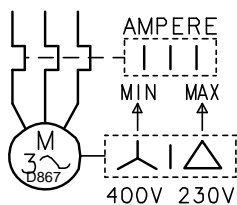
- 1- Conector hembra de 7 contactos para alimentación monofásica, termostato/presostato TL
- 2- Conector hembra de 6 contactos para válvula de gas, presostato gas o dispositivo para el control de estanqueidad válvulas
- 3- Conector hembra de 4 contactos para termostato/presostato TR (con cubierta extraíble)
- 4- Conector hembra de 5 contactos no utilizada
- 5- Conector hembra de 2 contactos para accesorio desbloqueo caja de control a distancia
- 6 - 6A Predisposiciones para racores (Agujerear en caso de necesidad de los racores 6A)

RS 44/M MZ trifásico

- 1- Conector hembra de 7 contactos para alimentación monofásica, termostato/presostato TL
- 2- Conector hembra de 6 contactos para válvula de gas, presostato gas o dispositivo para el control de estanqueidad válvulas
- 3- Conector hembra de 4 contactos para termostato/presostato TR (con cubierta extraíble)
- 4- Conector hembra de 5 contactos para la alimentación trifásica
- 5- Conector hembra de 2 contactos para accesorio desbloqueo caja de control a distancia
- 6 - 6A Predisposiciones para racores (Agujerear en caso de necesidad de los racores 6A)



La cubierta del conector se debe quitar sólo en caso de uso del conector hembra de 4 contactos. Si no se utiliza el conector hembra de 4 contactos es obligatorio aplicar la cubierta. El fabricante declina toda responsabilidad ante la inobservancia de lo indicado en este manual.



CALIBRACIÓN RELÉ TÉRMICO (RS 44/M MZ TRIFÁSICO)

Sirve para evitar que se quemé el motor por un fuerte aumento del consumo debido a la ausencia de una fase.

- Si el motor es alimentado en estrella, **400V**, el cursor debe situarse en "MIN".
- Si el motor es alimentado a triángulo, **230V**, el cursor debe situarse en "MAX".

Aunque la escala del relé térmico no comprenda el consumo nominal del motor a 400V, la protección está igualmente asegurada.

NOTAS

- El modelo RS 44/M MZ trifásico sale de fábrica previsto para una alimentación eléctrica de **400V**. Si la alimentación es a **230V**, cambiar el conexionado del motor (de estrella a triángulo) y la regulación del relé térmico.
- Los quemadores RS 34-44/M MZ han sido homologados para funcionar de modo intermitente. Ello significa que deben pararse “por Norma” al menos una vez cada 24 horas para permitir que la caja de control efectúe una verificación de la eficacia al arranque. Normalmente la detención del quemador está asegurada por el termostato/presostato de la caldera. Si no fuese así, debería colocarse en serie con el interruptor IN, un interruptor horario que parase el quemador al menos una vez cada 24 horas.
- Los quemadores RS 34-44/M MZ salen de fábrica preparados para el funcionamiento 2 llamas y por tanto se debe conectar el termostato/presostato TR. En cambio, si se desea que el quemador tenga un funcionamiento monoestadio, introducir, en sustitución del termostato/presostato TR, un puente entre los bornes T6 - T7 del conector macho X4.

FUNCIONAMIENTO MODULANTE

Si se conectan los Kit regulador de potencia RWF40 o del convertidor 0...10V / 4...20mA, en señal a 3 puntos, se debe retirar el termostato/presostato TR (si se desengancha el conector macho de 4 contactos, colocar la cubierta suministrada).

Retire también el termostato/presostato TL exclusivamente mediante el regulador RWF 40.



ATENCIÓN:

- No invertir el neutro con la fase en la línea de alimentación eléctrica. la inversión provocaría un bloqueo por fallo en el encendido.
- Sustituir los componentes sólo con recambios originales.

DECLARAÇÃO	página 1
DADOS TÉCNICOS	2
Versões construtivas	2
Categorias de gás	2
Acessórios	3
Descrição do queimador	4
Embalagem - Peso	4
Dimensões	4
Forma de fornecimento	4
Campos de trabalho	5
Caldeira de ensaio	5
Caldeiras comerciais	5
Pressão do gás	6
INSTALAÇÃO	7
Posição de funcionamento	7
Placa da caldeira	7
Comprimento do tubo de fogo	7
Fixação do queimador à caldeira	7
Regulação do cabeçal de combustão	8
Linha de alimentação gás	9
Regulação prévia ao acendimento	10
Servomotor	10
Arranque do queimador	10
Acendimento do queimador	10
Regulação do queimador:	11
Determinação potência de acendimento	11
1 - Potência de acendimento MIN	11
2 - Potência MÁX.	12
3 - Potências intermédias	12
4 - Pressostato de ar	13
5 - Pressostato gás de mínima	13
Controlo de presença de chama	13
Funcionamento do queimador	14
Controlo final	15
Manutenção	15
Manutenção quadro eléctrico	16
Anomalia - Causa Provável - Solução	18
Funcionamento normal / tempo de observação da chama	19
Apêndice	20
Esquema quadro eléctrico	22

Nota

As figuras mencionadas no texto identificam-se da seguinte forma:

1)(A) = Pormenor 1 da figura A, na mesma página que o texto;

1)(A)p.3 = Pormenor 1 da figura A, página 3.

INTRODUÇÃO

O manual de instrução fornecido junto com o queimador:

- é parte integrante e essencial do produto e não deve ser separado do mesmo; portanto, deve ser conservado com cuidado caso se necessite consultá-lo, e deve acompanhar o queimador se este for cedido a um outro proprietário ou usuário, ou em caso de transferência a um outro estabelecimento. Em caso de dano ou perda, de ser pedido um outro exemplar ao Serviço de Assistência Técnica de Zona;
- foi realizado para ser utilizado por pessoal qualificado;
- fornece importantes indicações e advertências sobre a segurança na instalação, a colocação em funcionamento, o uso e a manutenção do queimador.

ENTREGA DA INSTALAÇÃO E DO MANUAL DE INSTRUÇÕES

Por ocasião da entrega da instalação, é necessário que:

- O manual de instruções seja entregue pelo fornecedor da instalação ao usuário, com a advertência que este seja conservado no local de instalação do gerador de calor.
- No manual de instruções estão indicados:
 - o número de matrícula do queimador;

.....

- o endereço e o número de telefone do Centro de Assistência mais próximo;

.....

.....

.....

- O fornecedor da instalação deve informar o usuário atentamente sobre:
 - o uso da instalação,
 - os eventuais posteriores testes que forem necessários antes da activação da instalação,
 - a manutenção e a necessidade de submeter a instalação pelo menos uma vez por ano ao controlo de um funcionário do Construtor ou por um outro técnico especializado.
 Para garantir um controlo periódico, o fabricante recomenda-se a estipulação de um Contrato de Manutenção.

Declaração de conformidade segundo ISO / IEC 17050-1

Construtor: RIELLO S.p.A.
Endereço: Via Pilade Riello, 7
37045 Legnago (VR)
Produto: Queimadores a gás com ar insuflado
Modelo: RS 34-44/M MZ

Esses produtos são conformes às seguintes Normas Técnicas:

EN 676

EN 12100

e de acordo com as disposições das Directivas Europeias:

GAD	90/396/CEE	Directiva Aparelhos a gás
MD	2006/42/CE	Directiva Máquina
LVD	2006/95/CE	Directiva Baixa Tensão
EMC	2004/108/CE	Compatibilidade Electromagnética

Tais produtos são marcados como indicado a seguir:



CE-0085BR0378

A qualidade é garantida mediante um sistema de qualidade e gestão certificado segundo UNI EN ISO 9001.

Declaração do fabricante

RIELLO S.p.A. declara que os seguintes produtos respeita os valores limite dos NOx impostos pela normativa alemã "1. BImSchV versão 26.01.2010".

Produto	Tipo	Modelo	Potência
Queimadores a gás com ar insuflado	875 T	RS 44/M MZ	80 - 550 kW

Declaração de Conformidade A.R. 8/1/2004 & 17/7/2009 – Bélgica

Produtor: RIELLO S.p.A.
37045 Legnago (VR) Italy
Tel. ++39.0442630111
www.rielloburners.com

Colocação em circulação por: RIELLO NV
Ninovesteenweg 198
9320 Erembodegem
Tel. (053) 769 030
Fax. (053) 789 440
e-mail. info@riello.be
URL. www.riello.be

Certifica-se com o presente documento que a série de aparelhos especificada a seguir está conforme ao modelo do tipo descrito na declaração de conformidade CE, e é produzida e colocada em circulação em conformidade aos pedidos definidos no Decreto-lei de 8 de Janeiro de 2004 e 17 Julho 2009.

Tipo de produto: Queimadores a gás com ar insuflado
Modelo: RS 34-44/M MZ
Norma aplicada: EN 267 e A.R. de 8 Janeiro 2004 - 17 Julho 2009
Organismo de controlo: TÜV Industrie Service GmbH
TÜV SÜD Gruppe
Ridlerstrase, 65
80339 München DEUTSCHLAND

Valores medidos:	RS 34/M MZ	RS 44/M MZ
	CO max: 7 mg/kWh	CO max: 2 mg/kWh
	NOx max: 103 mg/kWh	NOx max: 89 mg/kWh

Legnago, 19.11.2012

Director Executivo
RIELLO S.p.A. - Direcção dos
Queimadores
Eng. I. Zinna

Director de Pesquisa e Desenvolvimento
RIELLO S.p.A. - Direcção dos
Queimadores
Eng. R. Cattaneo

DADOS TÉCNICOS

MODELO			RS 34/M MZ		RS 44/M MZ		RS 44/M MZ		
TIPO			874T		875T		875T		
POTÊNCIA (1)	MÁX.	kW Mcal/h	125 - 390 108 - 336		203 - 550 175 - 473		203 - 550 175 - 473		
	MÍN.	kW Mcal/h	45 39		80 69		80 69		
COMBUSTÍVEL			GAS NATURAL: G20 - G21 - G22 - G23 - G25						
			G20	G25	G20	G25	G20	G25	
- poder calorífico inferior		kWh/Sm ³ Mcal/Sm ³	9,45 8,2	8,13 7,0	9,45 8,2	8,13 7,0	9,45 8,2	8,13 7,0	
- densidade absoluta		kg/Sm ³	0,71	0,78	0,71	0,78	0,71	0,78	
- caudal máximo		Sm ³ /h	41	48	58	67,6	58	67,6	
- pressão a máximo caudal (2)		mbar	13,1	18,4	16,7	23,2	16,7	23,2	
FUNCIONAMENTO			<ul style="list-style-type: none"> Intermitente (mín. 1 paragem em 24 horas). Dois estágios progressivos ou modulante com kit (ver ACESSÓRIOS). 						
UTILIZAÇÃO			Caldeiras: de água, a vapor e óleo diatérmico						
TEMPERATURA AMBIENTE		°C	0 - 40						
TEMPERATURA AR COMBURENTE		°C máx	60						
ALIMENTAÇÃO ELÉCTRICA		V Hz	230 ~ +/-10% 50/60 - monofásica				230 - 400 com neutro ~ +/-10% 50/60 - trifásica		
MOTOR ELÉCTRICO		rpm W V	2800 300 220 - 240		2800 420 220 - 240		2780 450 220/240-380/415		
INTENSIDADE DE ARRANQUE		A	15		17		14 - 10		
INTENSIDADE DE FUNCIONAMENTO		A	3,2		3,5		2 - 1,4		
CONDENSADOR DO MOTOR		mF/V	12,5/260		12,5/420		-		
TRANSFORMADOR DE ACENDIMENTO		V1 - V2 I1 - I2	230 V - 1 x 15 kV 1 A - 25 mA						
POTÊNCIA ELÉCTRICA ABSORVIDA		W max	600		700		750		
NÍVEL DE PROTECÇÃO			IP40						
NÓVEL SONORO (3)	PRESSÃO ACÚSTICA	dBA	68		70		70		
	POTÊNCIA ACÚSTICA		79		81		81		

(1) Condições de referência: Temperatura ambiente 20°C - Temperatura gás 15°C - Pressão barométrica 1013 mbar - Altitude acima do nível do mar 0 metros.

(2) Pressão na tomada 7)(A)p.4 com pressão zero na câmara de combustão.

(3) Teste das emissões acústicas realizadas segundo a normativa EN 15036-1 com exactidão de medida $\sigma = \pm 1,5$ dB, no laboratório de combustão do construtor com queimador funcionando em caldeira de ensaio à máxima potência.

VERSÕES CONSTRUTIVAS

MODELO	ALIMENTAÇÃO ELÉCTRICA	COMPRIMENTO TUBO DE FOGO mm
RS 34/M MZ	monofásico	216
	monofásico	351
RS 44/M MZ	monofásico	216
	monofásico	351
	trifásico	216
	trifásico	351

CATEGORIAS DE GÁS

PAÍS DE DESTINO	CATEGORIA GAS
SE - FI - AT - GR - DK - ES - GB IT - IE - PT - IS - CH - NO	I ₂ H
DE	I ₂ ELL
NL	I ₂ L
FR	I ₂ Er
BE	I ₂ E(R)B
LU - PL	I ₂ E

ACESSÓRIOS (por encomenda):

• KIT PROTECÇÃO CONTRA AS RÁDIO-INTERFERÊNCIAS

No caso de instalação do queimador em ambientes especiais sujeitos a rádio-interferências (emissão de sinais superiores a 10 V/m) devido a presença de INVERTER ou em aplicações onde os comprimentos das conexões do termostato superem os 20 metros, está disponível um kit de protecção como interface entre a aparelhagem e o queimador.

QUEIMADOR	RS 34-44/M MZ
Código	3010386

• KIT CABEÇA COMPRIDA

QUEIMADOR	RS 34/M MZ	RS 44/M MZ
Código	3010428	3010429

• **KIT PARA FUNCIONAMENTO COM GPL:** o kit permite que os queimadores RS 34-44/M funcionem com GPL.

QUEIMADOR	RS 34/M MZ	RS 44/M MZ
Potência kW	80/125 - 390 kW	120/200 - 530 kW
Comprimento do tubo de fogo mm	216 - 351	216 - 351
Código	3010423	3010424

• KIT PARA FUNCIONAMENTO MODULAR

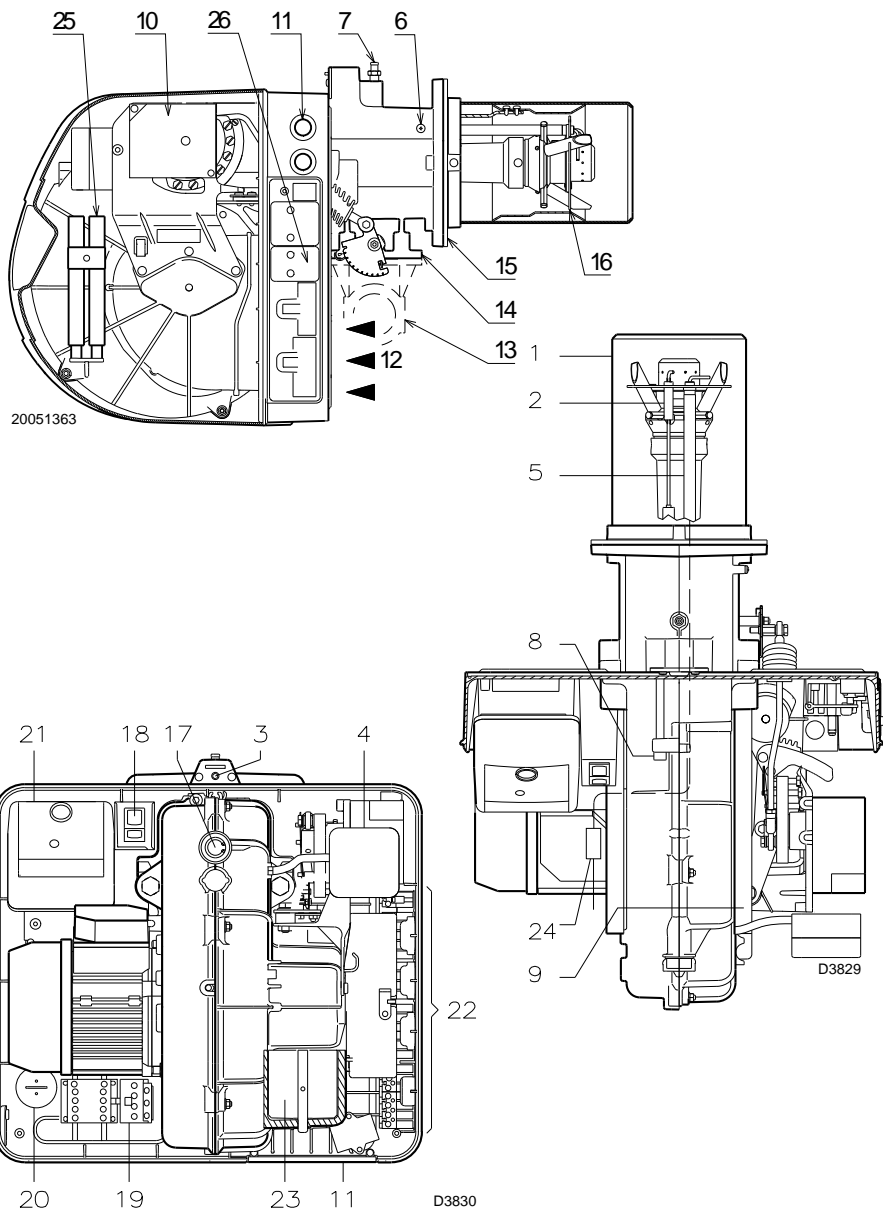
KIT REGULADOR DE POTÊNCIA RWF40				KIT REGULADOR DE POTÊNCIA COM SINAL 4-20 mA, 0-10V					
É necessário encomendar os dois componentes: • O Regulador de potência, que é instalado no queimador; • a Sonda a instalar no gerador de calor				É necessário encomendar os dois componentes: • o Conversor de sinal analógico; • o Potenciómetro					
Parâmetro a controlar		Sonda		Regulador de potência		Potenciómetro		Conversor de sinal analógico	
	Campo de regulação	Tipo	Código	Tipo	Código	Tipo	Código	Tipo	Código
Temperatura	- 100...+500°C	PT 100	3010110	RWF40	3010417	ASZ...	3010420	E5202	3010410
Pressão	0...2,5 bar 0...16 bar	Sonda com saída 4...20 mA	3010213 3010214						

• KIT POTENCIÓMETRO PARA INDICAÇÃO POSIÇÃO DE CARGA	cód. 3010420
• PRESSOSTATO GÁS DE MÁXIMA	cód. 3010418
• KIT CONTACTOS LIMPOS	cód. 3010419
• KIT POST-VENTILAÇÃO	cód. 3010451

• KIT INTERRUPTOR DIFERENCIAL	cód. 3010448
• KIT VENTILAÇÃO CONTÍNUA	cód. 3010449
• KIT CONTADOR DE HORAS	cód. 3010450
• KIT INTERFACE ADAPTER RMG TO PC	cód. 3002719

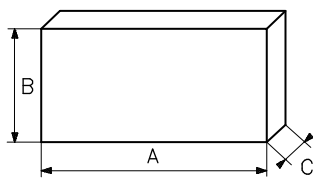
• **LINHAS DE GÁS A EMPARELHAR AO QUEIMADOR CONFORME A NORMA EN 676 (completas, com válvulas, regulador de pressão e filtro):** ver pág. 9.

NOTA: O instalador é responsável pela eventual incorporação de dispositivos de segurança não previstos neste manual.

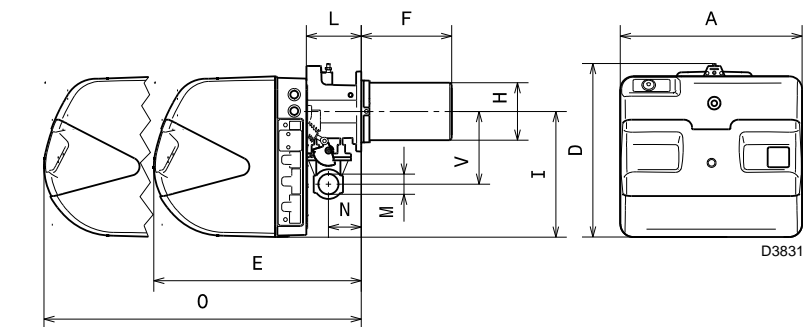


(A)

mm	A	B	C	kg
RS 34/M MZ	1000	500	485	32
RS 44/M MZ	1000	500	485	33



(B)



(C)

mm	A	D	E	F (1)	H	I	L	O	N	V	M
RS 34/M MZ	442	422	508	216-351	140	305	138	780	84	177	1"1/2
RS 44/M MZ	442	422	508	216-351	152	305	138	780	84	177	1"1/2

(1) Tubo de fogo: curto-longo

DESCRIÇÃO DO QUEIMADOR (A)

- 1 Cabeçal de combustão
- 2 Electrodo de acendimento
- 3 Parafuso de regulação do cabeçal de combustão
- 4 Pressostato de ar (tipo diferencial)
- 5 Sonda para o controlo de presença chama
- 6 Tomada de pressão do ar
- 7 Tomada de pressão do gás e parafuso de fixação do cabeçal
- 8 Parafuso de fixação do ventilador à mangueira
- 9 Guias para abertura do queimador e inspeção do cabeçal de combustão
- 10 Servomotor, para o controlo da válvula borboleta do gás e, através de uma came de perfil variável, a comporta do ar. Quando o queimador está parado, a comporta de ar está completamente fechada de forma a reduzir ao mínimo a dispersão térmica da caldeira devido ao tipo de conduta de fumos que toma o ar da boca de aspiração do ventilador.
- 11 Zonas para passagem cabos eléctricos
- 12 Entrada de ar do ventilador
- 13 Conduta de entrada de gás
- 14 Válvula borboleta gás
- 15 Flange para fixação à caldeira
- 16 Disco estabilizador da chama
- 17 Visor chama
- 18 Um interruptor para:
o funcionamento automático - manual - paragem
Um botão para:
aumento - diminuição da potência
- 19 Contactador motor e relé térmico com botão de rearme (RS 44/M MZ trifásico)
- 20 Condensador motor (RS 34-44/M MZ monofásico)
- 21 Caixa de controlo com piloto luminoso de bloqueio e botão de desbloqueio
- 22 Tomadas para a conexão eléctrica
- 23 Comporta de ar
- 24 Ficha-tomada do cabo da sonda de ionização
- 25 Extensões guias (versão cabeça comprida)
- 26 Cobertura da tomada de 4 pólos (ver apêndice quadro eléctrico)

Existem duas possibilidades de bloqueio do queimador:

- **BLOQUEIO DA CAIXA DE CONTROLO:**
ao ficar aceso o botão da caixa 21)(A) indica que o queimador está bloqueado.
Para desbloquear, premir o botão.
- **BLOQUEIO MOTOR (RS 44/M MZ trifásico):**
alimentação eléctrica de três fases, para desbloquear premir o botão do relé térmico 19)(A).

EMBALAGEM - PESO (B) - medidas aproximadas

- Os queimadores são fornecidos em embalagem de cartão, cujas dimensões são especificadas na tabela (B).
- O peso do queimador completo com a embalagem é indicado na tabela (B).

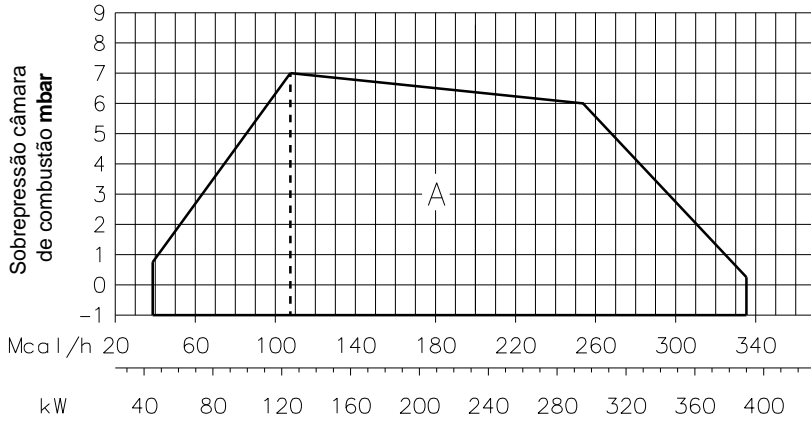
DIMENSÕES MÁXIMAS (C) - medidas aproximadas

As dimensões máximas do queimador são indicadas em fig.(C).
Lembrar-se de que, para inspeccionar o cabeçal de combustão o queimador deve estar em posição atrasada.

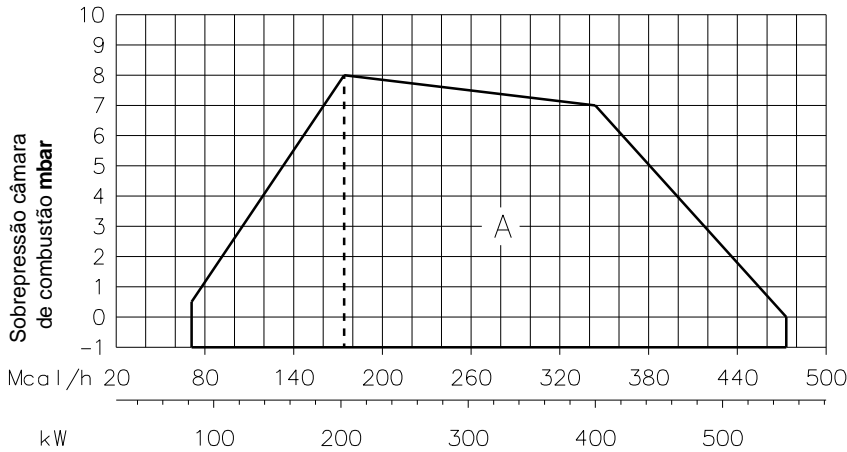
FORMA DE FORNECIMENTO

- 1 - Flange de ligação à linha de gás
- 1 - Junta da flange
- 4 - Parafusos M 8 x 25 de fixação da flange
- 4 - Parafusos para fixar a flange do queimador à caldeira M 8 x 25
- 1 - Junta isolante
- 3 - Fichas para conexões eléctricas (RS 34-44/M MZ monofásico)
- 4 - Fichas para conexões eléctricas (RS 44/M MZ trifásico)
- 1 - Instruções
- 1 - Lista de peças de substituição

RS 34/M MZ

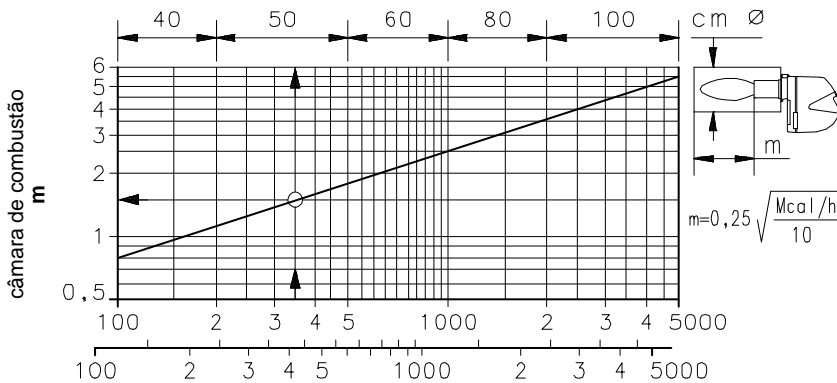


RS 44/M MZ



(A)

D9304



(B)

D497

CAMPOS DE TRABALHO (A)

Durante o funcionamento, a potência do queimador varia entre:

- uma **POTÊNCIA MÁXIMA**, localizada na zona A,
- e uma **POTÊNCIA MÍNIMA**, que não deve ser inferior ao limite mínimo do gráfico:

RS 34/M MZ = 45 kW
RS 44/M MZ = 80 kW

Atenção

O CAMPO DE TRABALHO foi calculado à temperatura ambiente de 20 °C, à pressão barométrica de 1013 mbar (aprox. 0 metros acima do nível do mar) e com o cabeçal de combustão regulado conforme se indica na página 8.

CALDEIRA DE ENSAIO (B)

Os gráficos foram obtidos com caldeiras de ensaio especiais, conforme a norma EN 676.

Na figura (B) é indicado o diâmetro e o comprimento da câmara de combustão da caldeira de ensaio.

Exemplo

Potência 350 Mcal/h:
diâmetro 50 cm - comprimento 1,5 m.

CALDEIRAS COMERCIAIS

Não existe problema algum no acoplamento queimador-caldeira se esta tiver homologação CE e se as dimensões da câmara de combustão se aproximam das indicadas no gráfico (B). Se, pelo contrário, o queimador for instalado numa caldeira comercial não homologada CE ou com as dimensões da câmara de combustão muito mais pequenas que as indicadas no gráfico (B), deve-se consultar o fabricante.

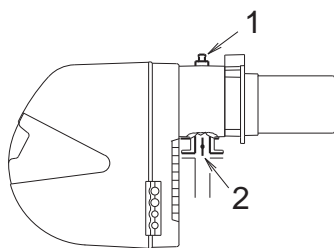
Além disso, para caldeiras de inversão, aconselha-se de controlar o comprimento do cabeçal de combustão segundo quanto prescrito pelo construtor da caldeira.

RS 34/M MZ

kW	1 Δp (mbar)	2 Δp (mbar)
	G20	G20
130	1,5	0,1
140	2,0	0,1
160	2,9	0,1
180	3,8	0,2
200	4,6	0,2
220	5,5	0,3
240	6,4	0,3
260	7,3	0,4
280	8,2	0,4
300	9,1	0,5
320	10,0	0,5
340	10,9	0,6
360	11,8	0,7
380	12,7	0,8
390	13,1	0,8

RS 44/M MZ

kW	1 Δp (mbar)	2 Δp (mbar)
	G20	G20
200	3,0	0,2
225	4,0	0,3
250	4,9	0,3
275	5,9	0,4
300	6,9	0,5
325	7,9	0,6
350	8,9	0,6
375	9,8	0,7
400	10,8	0,8
425	11,8	1,0
450	12,8	1,1
475	13,8	1,2
500	14,7	1,3
525	15,7	1,5
550	16,7	1,6

(A)**(B)**

S8738

PRESSÃO DO GÁS

As tabelas existentes na margem indicam as perdas de carga mínimas da linha de alimentação de gás em função da potência máxima do queimador.

Coluna 1

Perda de carga cabeçal de combustão. Pressão do gás na tomada 1)(B), com câmara de combustão a 0 mbar.

Coluna 2

Perda de carga registro borboleta gás 2)(B) com abertura máxima: 90°.

Os valores indicados nas tabelas referem-se a: gás natural G 20 PCI 9,45 kWh/Sm³ (8,2 Mcal/Sm³)

Para conhecer a potência MÁX aproximada à que está a funcionar o queimador:

- Subtrair à pressão do gás na toma 1)(B) a sobrepressão da câmara de combustão.
- Procurar na tabela relativa ao queimador desejado, o valor de pressão mais próximo ao resultado obtido na subtração.
- Ler à esquerda a potência correspondente.

Exemplo - RS 34/M MZ:

- Funcionamento à MÁX potência
- Gás natural G 20 PCI 9,45 kWh/Sm³
- Pressão do gás na tomada 1)(B) = 9,3 mbar
- Pressão na câmara de combustão = 2 mbar
9,3 - 2 = 7,3 mbar

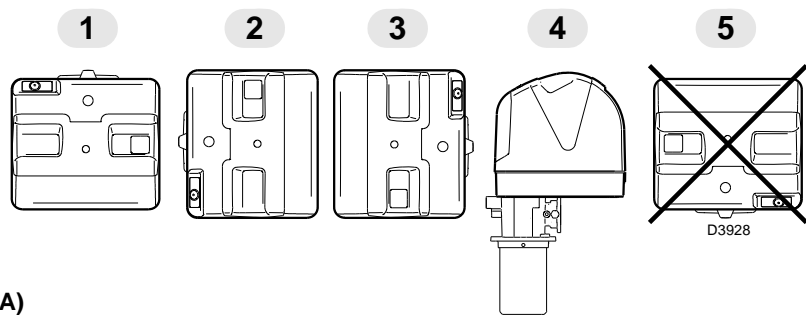
À pressão de 9,3 mbar, coluna 1, corresponde na tabela do RS 34/M uma potência de 260 kW. Este valor serve como primeira aproximação; o real determinar-se-á através do contador.

Pelo contrário para conhecer a pressão do gás necessária na toma 1)(B), uma vez fixada a potência MÁX à qual se deseja que o queimador funcione:

- procurar a potência mais próxima ao valor desejado, na tabela relativa ao queimador que se considere.
- Ler à direita, coluna 1, a pressão na tomada 1)(B).
- Somar a este valor a sobrepressão estimada na câmara de combustão.

Exemplo - RS 34/M MZ:

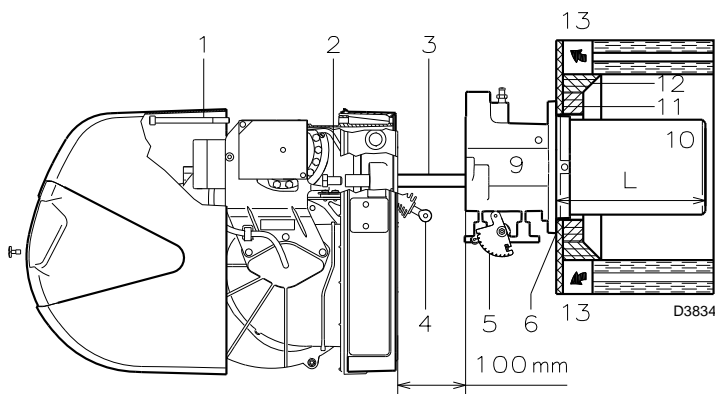
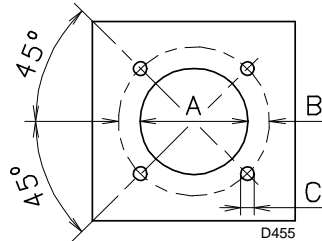
- Potência MÁX desejada: 260 kW
- Gás natural G 20 PCI 9,45 kWh/Sm³
- Pressão do gás à potência de 260 kW, na tabela do RS 34/M MZ, coluna 1A = 7,3 mbar
- Pressão na câmara de combustão = 2 mbar
7,3 + 2 = 9,3 mbar
pressão necessária na tomada 1)(B).



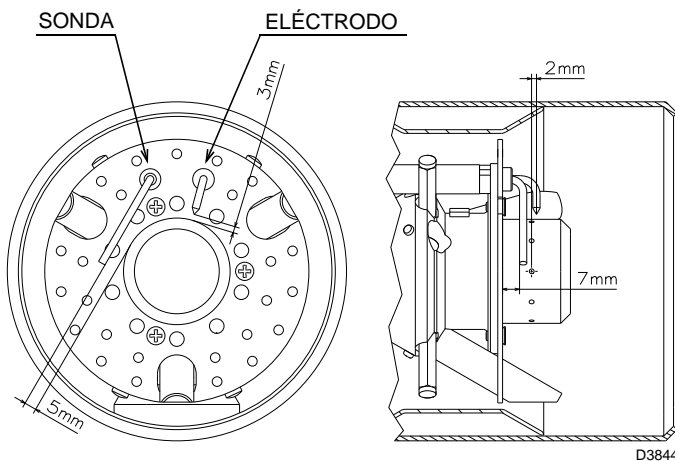
(A)

mm	A	B	C
RS 34/M MZ	160	224	M 8
RS 44/M MZ	160	224	M 8

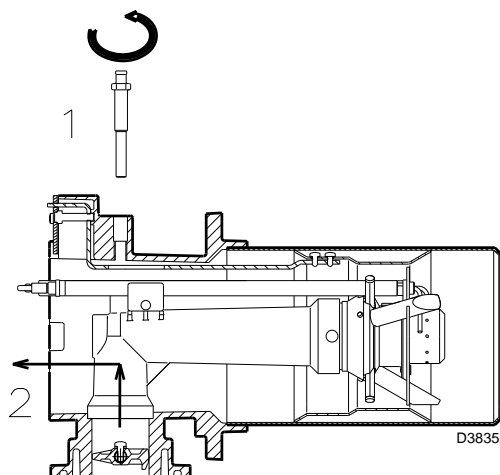
(B)



(C)



(D)



(E)

INSTALAÇÃO

⚠ A INSTALAÇÃO DO QUEIMADOR DEVE SER REALIZADA EM CONFORMIDADE COM AS LEIS E NORMAS LOCAIS.

POSIÇÃO DE FUNCIONAMENTO (A)

⚠ O queimador está pre-configurado exclusivamente para o funcionamento nas posições **1, 2, 3 e 4**.

A instalação **1** é preferível pois é a única que permite a manutenção como descrita a seguir neste manual. As instalações **2, 3 e 4** consentem o funcionamento mas tornam menos acessíveis as operações de manutenção e inspeção do cabeçal de combustão pág. 15.

⊘ Qualquer outro posicionamento pode comprometer o bom funcionamento do aparelho. A instalação **5** é proibida por motivos de segurança.

PLACA DA CALDEIRA (B)

Furar a placa de fecho da câmara de combustão, tal como está indicado em (B). Pode marcar-se a posição dos orifícios roscados utilizando a junta isolante que é fornecida com o queimador.

COMPRIMENTO DO TUBO DE FOGO (C)

O comprimento do tubo de fogo deve ser seleccionado de acordo com as indicações do fabricante da caldeira e, em qualquer caso, deve ser maior que a espessura da porta da caldeira completa, com o material refractário incluído. Os comprimentos, L (mm), disponíveis são:

tubo chama 10)	RS 34/M MZ	RS 44/M MZ
• curto	216	216
• longo	351	351

Para caldeiras com passagens de fumos dianteiras 13) ou com câmara de inversão de chama, colocar uma protecção em material refractário 11) entre o refractário da caldeira 12) e o tubo de fogo 10).

Esta protecção deve permitir o deslocamento do tubo de fogo. Nas caldeiras com frontal refrigerado por água, não é necessário o revestimento refractário 11)-12)(C), salvo se este for indicado pelo fabricante da caldeira.

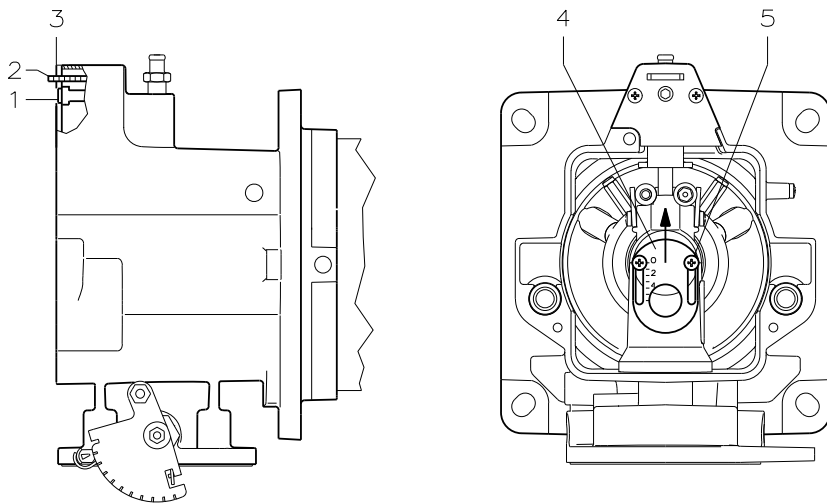
FIXAÇÃO DO QUEIMADOR À CALDEIRA (C)

Antes de fixar o queimador à caldeira, verificar (através da abertura do tubo de fogo) se a sonda e o eléctrodo de acendimento estão correctamente posicionados como indica a figura (D). Seguidamente separar o cabeçal de combustão do resto do queimador, fig. (C):

- desprender a articulação 4) do sector graduado 5);
- desenroscar os parafusos 2) das duas guias 3);
- desenroscar os parafusos 1) e deslocar o queimador pelas guias 3) cerca de 100 mm;
- desligar os cabos da sonda e do eléctrodo e seguidamente retirar por completo o queimador das guias.

Fixar a flange 9)(C) à placa da caldeira, intercalando a junta isolante 6)(C) fornecida. Utilizar os 4 parafusos fornecidos, depois de ter protegido a rosca com um produto antibloqueio. O acoplamento do queimador à caldeira deve ser hermético. Se na verificação anterior, a posição da sonda ou do eléctrodo não era correcta, desenroscar o parafuso 1)(E), retirar a parte interior 2)(E) do cabeçal e proceder à sua calibragem. Não rodar a sonda, mas sim, deixá-la conforme o indicado em (D), já que se esta se aproximar demasiado do eléctrodo de acendimento poderá danificar o amplificador da caixa de controlo.

⚠ ATENÇÃO
Proceder à montagem da parte interna 2)(E) do cabeçal de combustão aparafusando o parafuso 1)(E) com um binário de aperto de **4 ÷ 6 Nm**.



(A)

D8458

REGULAÇÃO DO CABEÇAL DE COMBUSTÃO

Neste ponto da instalação, o tubo de fogo e o suporte queimador fixam-se à caldeira como é indicado na fig. (A). A regulação do cabeçal de combustão pode ser realizada portanto de modo particularmente fácil.

Regulação do ar (A - B)

Rodar o parafuso 1)(A) até que a marca na folha laminada 2)(A) coincida com o plano da placa 3)(A).

Exemplo:

Queimador RS 44/M MZ, potência = 300 kW. Pelo diagrama (B) resulta que, com uma potência MAX de 300 kW, a regulação do ar tem que ser efectuada na marca 3, subtraída do valor de pressão na câmara. Neste caso, a perda de pressão do cabeçal de combustão é indicada na coluna 1 da pág. 6.

Nota

Se a pressão na câmara estiver corresponder a 0 mbar, a regulação do ar tem que ser efectuada com referência à linha tracejada do diagrama (B).

Regulação de ar central (Fig. A - C)

Caso a específica aplicação requiera uma regulação especial, é possível modificar o caudal de ar central por meio do aro 4)(A) até a marca indicada no diagrama (C).

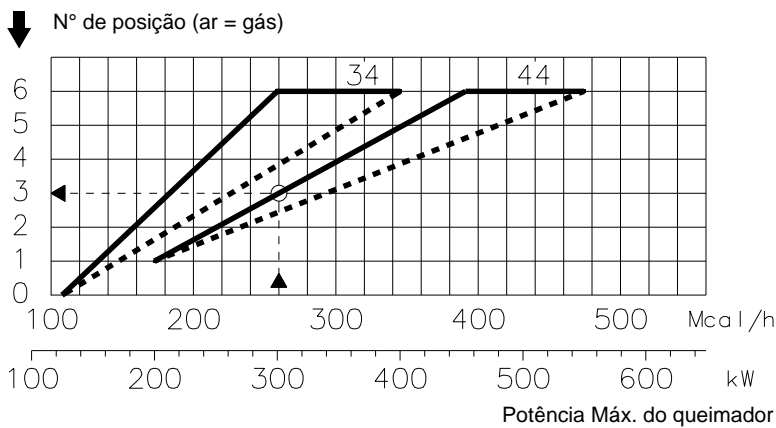
Para efectuar essa operação aliviar os parafusos 5)(A) e levantar para cima o aro 4)(A). Depois, bloquear novamente os parafusos 5)(A).

Finalizada a regulação do cabeçal, voltar a montar o queimador 4)(D) nas guias 3)(D) a cerca de 100 mm da mangueira 5)(D) - queimador na posição indicada na fig. (C)p.7 - ligar os cabos da sonda e do eléctrodo e seguidamente deslocar o queimador até a mangueira, queimador na posição indicada na fig. (D).

Voltar a colocar os parafusos 2) nas guias 3). Fixar o queimador à mangueira através do parafuso 1).

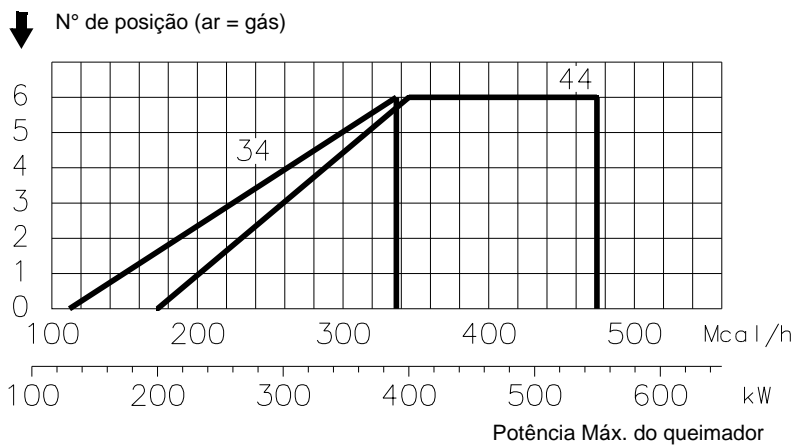
Atenção

No momento de fechar o queimador nas guias, é conveniente puxar suavemente para fora o cabo de alta tensão e da sonda de ionização até que estejam ligeiramente esticados.



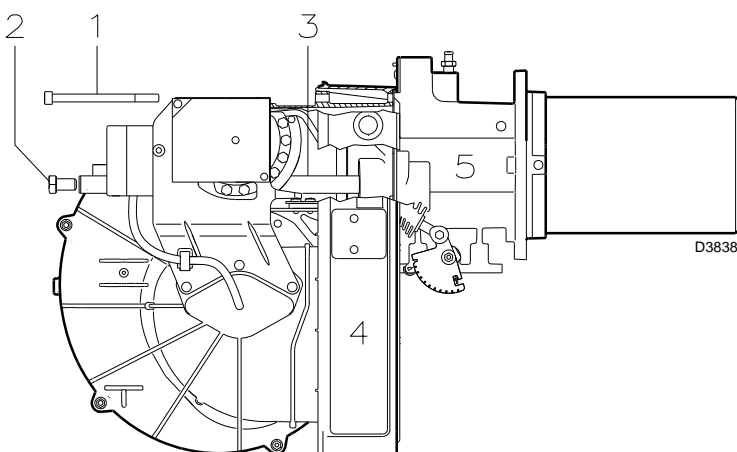
(B)

D3837



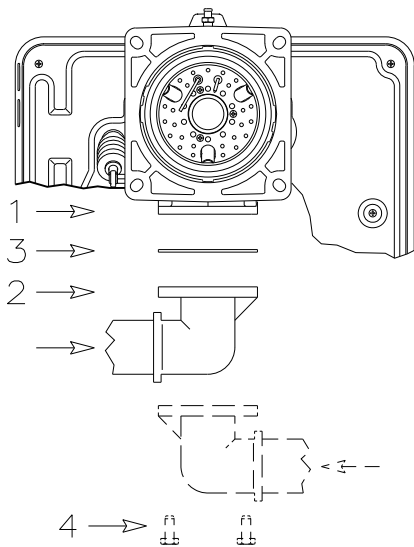
(C)

D8577



(D)

D3838



(A)

D3839

LINHA DE ALIMENTAÇÃO DE GÁS

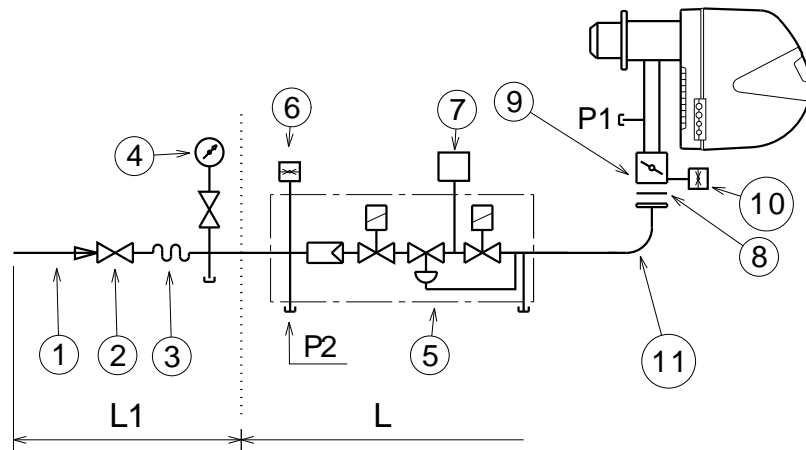
- A linha de gás está unida à ligação 1)(A), através da flange 2), a junta 3) e os parafusos 4), fornecidos com o queimador.
- A linha pode chegar pela direita ou pela esquerda, conforme convenha, ver fig. (A).
- As electroválvulas do gás devem estar o mais perto possível do queimador, para assegurar a chegada do gás ao cabeçal de combustão no tempo de segurança de 3 segundos.

LINHA DE GÁS (B)

Está homologada, junto com o queimador, conforme a norma EN 676 e é fornecida em separado, com o número de referência que é indicado na tabela (C).

LEGENDA (B)

- 1 - Condução de chegada do gás
 - 2 - Válvula manual
 - 3 - Junta antivibração
 - 4 - Manómetro com válvula de botão
 - 5 - Multibloc que inclui:
 - filtro (substituível)
 - válvula de funcionamento
 - regulação de pressão
 - 6 - Pressostato gás de mínima
 - 7 - Dispositivo de controlo estanquidade válvulas. Conforme a norma EN 676, o controlo de estanquidade é obrigatório para queimadores com potência máxima superior a 1200 kW.
 - 8 - Junta
 - 9 - Registro borboleta de gás
 - 10 - Pressostato gás de máxima (acessório)
 - 11 - Adaptador linha de gás-queimador
- P1 - Pressão no cabeçal de combustão
 P2 - Pressão montante válvulas/regulador
- L - Linha de gás fornecida em separado, com o N° de Ref. que é indicado na tabela (C)
 L1 - A cargo do instalador



(B)

D3791

QUEIMADORES E RELATIVAS LINHAS DE GÁS HOMOLOGADOS CONFORME NORMA EN 676

LINHAS DE GÁS L				QUEIMADOR		7	11		
Código	Modelo	Ø	C.T.	RS 34/M	RS 44/M	Código	Código		
3970599	MB 407/1 - RT 52	3/4"	-	-	•	-	3000824		
3970553	MB 407/1 - RT 20	3/4"	-	•	•	3010123	3000824		
3970229*	MB 407/1 - RSM 20								
3970554	MB 410/1 - RT 20	1"	-	•	•	3010123	3000824		
3970230*	MB 410/1 - RSM 20								
3970144	MB 412/1 - RT 20	1"1/4	-	•	•	3010123	-		
3970231*	MB 412/1 - RSM 20								
3970180	MB 415/1 - RT 30	1"1/2	-	•	•	3010123	-		
3970232*	MB 415/1 - RSM 30								
3970181	MB 420/1 - RT 30	2"	-	•	•	3010123	3000822		
3970233*	MB 420/1 - RSM 30								
3970182	MB 420/1 CT RT 30					♦		-	-
3970234*	MB 420/1 CT RSM 30					♦		-	-

* Linhas de gás completas de ficha de 6 pólos para conexão ao queimador.

(C)

LEGENDA TABELA (C)

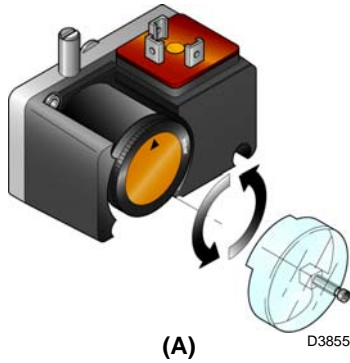
C.T.= Dispositivo controlo estanquidade válvulas de gás:

- = Linha de gás sem dispositivo para o controlo de estanquidade dispositivo que pode ser encomendado à parte, ver coluna 7, e montado sucessivamente.
- ♦ = Linha de gás com o dispositivo para o controlo de estaquicidade VPS montado.
- 7 = Dispositivo de controlo de estanqueidade válvula VPS. É fornecido à parte da linha de gás, por encomenda.
- 11 = Adaptador linha de gás-queimador. É fornecido à parte da linha de gás, por encomenda.

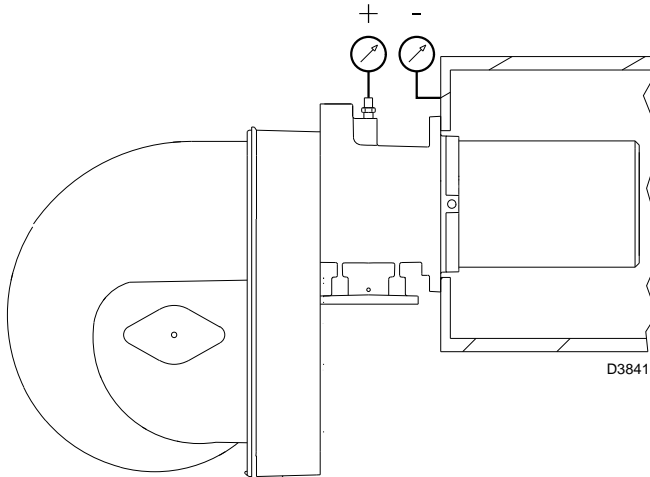
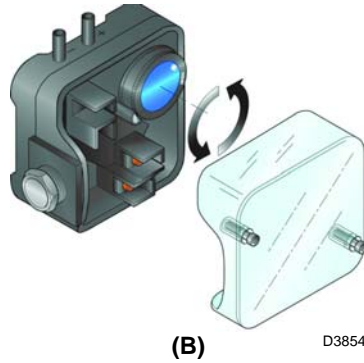
Nota

Para a regulação da linha de gás, ver as instruções que acompanham a mesma.

PRESSOSTATO GÁS DE MÍN.

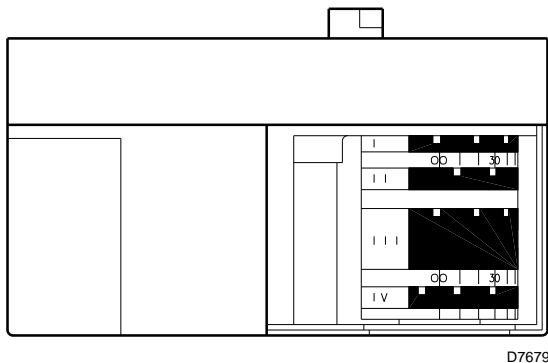


PRESSOSTATO AR

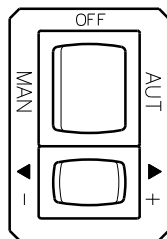


(C)

SERVOMOTOR



(D)



(E)

D3833

REGULAÇÃO PREVIA AO ACENDIMENTO

⚠️ ATENÇÃO

O PRIMEIRO ACENDIMENTO DEVE SER EXECUTADO POR PESSOAL QUALIFICADO E DOTADO DE INSTRUMENTAÇÃO ADEQUADA.

A regulação do cabeçal de combustão, ar, já foi descrita na pág. 8.

Efectuar, ainda, as seguintes regulações:

- abrir as válvulas manuais localizadas antes da linha de gás.
- Regular o pressostato gás de mínima ao início da escala (A).
- Regular o pressostato ar ao início da escala (B).
- Purgar o ar da tubagem de gás.
É aconselhável evacuar o ar purgado ao exterior do edifício (através de um tubo de plástico) até notar o odor característico do gás.
- Instalar um manómetro (C) na tomada de pressão do suporte queimador.
Serve para calcular, aproximadamente, a potência MÁX. do queimador através das tabelas da pág. 6.
- Ligar em paralelo às duas electroválvulas de gás VR e VS, duas lâmpadas ou um tester para controlar o momento da chegada de corrente.

Esta operação não é necessária se cada uma das electroválvulas estiver equipada com uma luz piloto que assinala a presença de corrente eléctrica.

Antes de colocar em funcionamento o queimador, é conveniente regular a linha de gás de forma que o acendimento se faça em condições de máxima segurança, isto é, com um pequeno caudal de gás.

SERVOMOTOR (D)

O servomotor regula em simultâneo a comporta do ar pela came de perfil variável e a válvula borboleta do gás.

O ângulo de rotação do servomotor é igual ao ângulo do sector graduado da válvula borboleta do gás.

O servomotor roda 90° em 24 segundos.

Não modificar a regulação feita de fábrica das 4 cames com que está dotado; verificar simplesmente que as cames estão reguladas da seguinte forma:

Came I : 90°

Limita a rotação máxima. Com o queimador funcionando à MÁX potência, a válvula de borboleta do gás deve estar completamente aberta: 90°.

Came II : 0°

Limita a rotação mínima.

Com o queimador parado, a comporta do ar e a válvula borboleta do gás devem estar fechadas: 0°.

Came III : 15°

Regula a posição de acendimento e da potência MÍN.

Came IV : Solidários à came III

ARRANQUE DO QUEIMADOR

Fechar os termóstatos e colocar o interruptor 1)(E) na posição "MAN".

Assim que o queimador entre em funcionamento, controlar o sentido de giro da turbina do ventilador através do visor de chama 17)(A)p.4. Verificar que as lâmpadas ou o tester ligados às electroválvulas, ou as luzes piloto das próprias electroválvulas, indicam ausência de corrente. Se assinalam que existe corrente, parar imediatamente o queimador e verificar a ligação eléctrica.

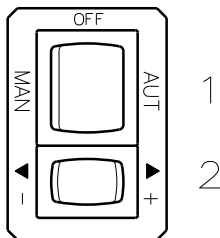
ACENDIMENTO DO QUEIMADOR

Depois de ter efectuado as operações descritas no parágrafo anterior, o queimador deve acender-se. Se o motor arranca mas não aparece chama e a caixa de controlo se bloqueia, rearmar esta e fazer uma nova tentativa de arranque. Se o acendimento continua sem efeito, pode ser devido a que o gás não chega ao cabeçal de combustão no tempo de segurança de 3 segundos. Em tal caso, aumentar o caudal de gás no acendimento. A chegada de gás à mangueira pode observar-se no manómetro (C). Uma vez efectuado o acendimento, proceder-se-á à regulação completa do queimador.



Em caso de paragem do queimador, para evitar danos à instalação, não desbloqueie o queimador mais que duas vezes em seguida. Se o queimador se bloquear pela terceira vez, entre em contacto com o serviço de assistência.

Se ocorrerem outros bloqueios ou anomalias do queimador, as intervenções devem ser realizadas exclusivamente por pessoal habilitado autorizado, de acordo com o relatado neste manual e em conformidade com as normas e disposições de lei vigentes.



D3833

(A)

REGULAÇÃO DO QUEIMADOR

Para conseguir uma óptima regulação do queimador, é necessário fazer uma análise dos gases de combustão na base da chaminé.

Terá que se regular consecutivamente:

- 1 - Potência de acendimento (mínima)
- 2 - Potência MÁX
- 3 - Potências intermédias entre MÁX e MÍN
- 4 - Pressostato ar
- 5 - Pressostato gás de mínima

DETERMINAÇÃO DA POTÊNCIA DE ACENDIMENTO (MÍNIMA)

Conforme a norma EN 676.

Queimadores com potência MÁX até 120 kW

O acendimento pode ser feito à máxima potência de funcionamento. Exemplo:

- potência máxima de funcionamento: 120 kW
- potência máxima de acendimento : 120 kW

Queimadores com potência MÁX superior a 120 kW

O acendimento deve ser feito a uma potência reduzida em relação à potência máxima de funcionamento.

Se a potência de acendimento não ultrapassa os 120 kW, não é necessário fazer cálculo algum. Pelo contrário, se a potência supera os 120 kW, a norma estabelece que o seu valor seja definido em função do tempo de segurança "ts" da caixa de controlo:

para "ts" = 3s. A potência de acendimento deve ser igual ou inferior a 1/3 da potência máxima de funcionamento.

Exemplo

Potência MÁX de funcionamento 450 kW.

A potência de acendimento deve ser igual ou inferior a 150 kW com ts = 3s

Para medir a potência de acendimento:

- desconectar a ficha-tomada 24)(A)p.4 do cabo da sonda de ionização (o queimador acende-se e bloqueia-se passado o tempo de segurança).
- Efectuar 10 acendimentos com bloqueios consecutivos.
- Ler no contador o gás consumido.

Esta quantidade deve ser igual ou inferior à que nos dá a fórmula, para ts = 3s:

$$Vg = \frac{Qa \text{ (caudal max. queimador) } \times n \times ts}{3600}$$

Vg: volume fornecido nos acendimentos executados (Sm³)

Qa: caudal de acendimento (Sm³/h)

n: número de acendimento (10)

ts: tempo de segurança (seg)

Exemplo para gás G 20 (9,45 kWh/Sm³):

potência de acendimento 150 kW

correspondentes a 15,87 Sm³/h.

Depois de 10 acendimentos com bloqueio, o caudal de gás medido no contador deve ser igual ou inferior a:

$$Vg = \frac{15,87 \times 10 \times 3}{3600} = 0,132 \text{ Sm}^3$$

1 - POTÊNCIA DE ACENDIMENTO (MÍNIMA)

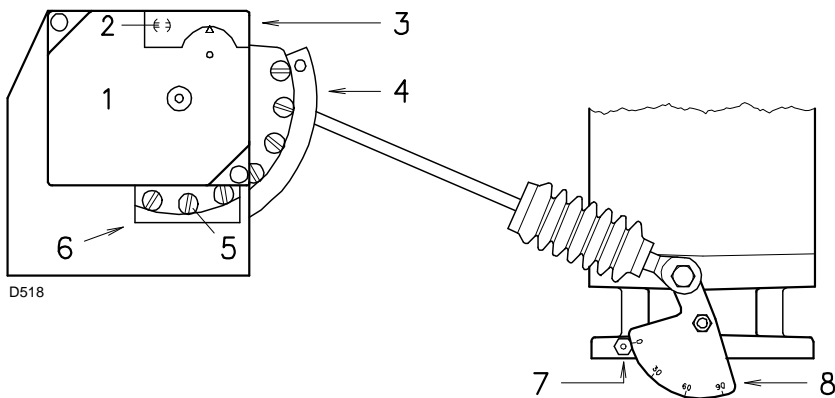
A potência MÍN é seleccionada dentro do campo de trabalho descrito na pág. 5.

Pressionar o botão 2)(A) "diminuição da potência" e mantê-lo pressionado até que o servomotor tenha fechada a comporta do ar e a válvula borboleta do gás até 15° (ajuste de fábrica).

Regulação do gás

Medir o caudal de gás no contador.

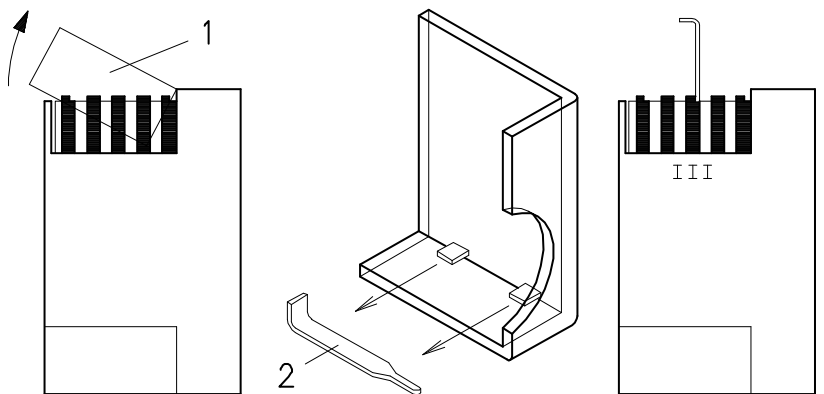
- Se deseja diminuí-lo, reduzir um pouco o ângulo da came III fig.(B)p.12 através de curtos e sucessivos deslocamentos, isto é, passando do ângulo de 15° a 13° - 11°....
- Se é necessário aumentá-la, pressionar um pouco o botão "aumento de potência" 2)(A) (abrir de 10-15° a borboleta do gás), aumentar o ângulo da came III (B)p.12 com curtos e sucessivos deslocamentos, isto é, passando do ângulo de 15° a 17° - 19°.... Pressionar ainda o botão "diminuição potência" até recolocar o servomotor na posição de mínima abertura e medir o caudal do gás.



D518

- | | |
|-------------------------------------|--|
| 1 Servomotor | 5 Parafusos regulação perfil variável |
| 2 ⊖ Bloqueio / ⊕ Desbloqueio came 4 | 6 Abertura acesso parafusos 5 |
| 3 Tampa cames | 7 Índice do sector graduado 8 |
| 4 Came de perfil variável | 8 Sector graduado válvula borboleta de gás |

(A)



D793

(B)

NOTA

O servomotor segue a regulação da came III somente quando se reduz o ângulo da came. Se necessário aumentar o ângulo da came, deve-se primeiro aumentar o ângulo do servomotor com a tecla "aumento de potência", depois aumentar o ângulo da came III e finalmente recolocar o servomotor na posição de potência MÍN com a tecla "diminuição de potência".

Para a eventual regulação da came III, retirar a tampa 1), colocada à pressão, como o indicado na fig. (B), tirar a cavilha 2) localizada no interior e introduzi-la no encaixe da came III.

Regulação do ar

Variar progressivamente o perfil inicial da came 4)(A), actuando sobre os parafusos da came que aparecem no interior da abertura 6)(A). Se possível, não rodar o primeiro parafuso, dado que é o utilizado para fechar a comporta do ar completamente.

2 - POTÊNCIA MÁX

A potência MÁX. é seleccionada dentro do campo de trabalho descrito na pág. 5.

Na descrição anterior, deixámos o queimador aceso, funcionando na potência MÍN. Pressionar agora a tecla 2)(A)p.11 "aumento de potência" e mantê-la pressionada até que o servomotor abra a comporta de ar e a válvula borboleta de gás a 90°.

Regulação do gás

Medir o caudal de gás no contador.

A título de orientação, pode determinar-se através das tabelas da pág. 6, observando a pressão do gás no manómetro, ver fig.(C)p.10, e seguindo as indicações da pág. 6.

- Se for necessário reduzi-lo, diminuir a pressão do gás à saída e, se já está no mínimo, fechar um pouco a electroválvula de regulação VR.
- Se for necessário aumentá-la, aumentar a pressão de gás à saída do regulador.

Regulação do ar

Variar progressivamente o perfil final da came 4)(A), actuando sobre os parafusos da came que aparecem no interior da abertura 6)(A).

- Para aumentar o caudal de ar, rosca os parafusos.
- Para diminuir o caudal de ar, desenrosca os parafusos.

3 - POTÊNCIAS INTERMÉDIAS

Regulação do gás

Não é necessário regulação alguma.

Regulação do ar

Pressionar um pouco o botão 2)(A)p.11 "aumento de potência" de forma a que um novo parafuso 5)(A) apareça no interior da abertura 6)(A) e regular até obter uma combustão óptima. Proceder da mesma forma com os restantes parafusos.

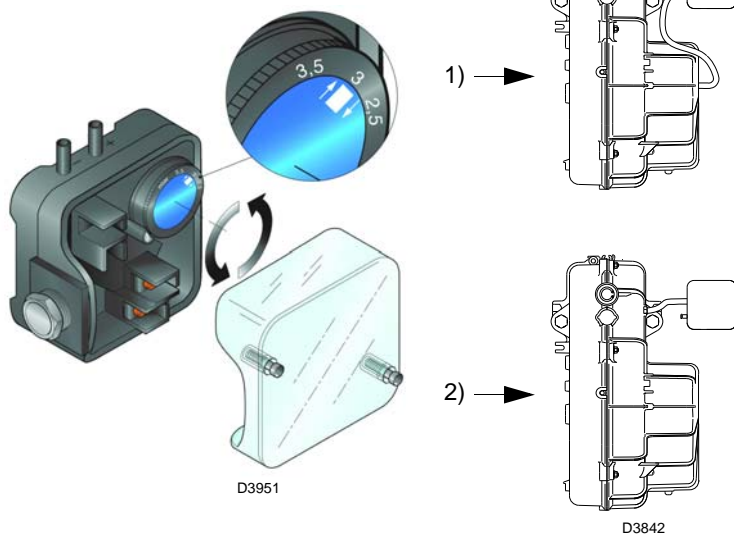
Prestar atenção para que a variação do perfil da came seja progressiva.

Apagar o queimador através do interruptor 1)(A)p.11, (posição OFF), desbloquear a came de perfil variável, colocando a ranhura 2)(A) do servomotor na posição vertical e verificar várias vezes, fazendo rodar à mão a came para a frente e para trás, que o movimento seja suave e sem obstáculos.

Se possível, tentar não deslocar os parafusos dos extremos da came, regulados anteriormente para a abertura da comporta do ar à potência MÁX e MÍN.

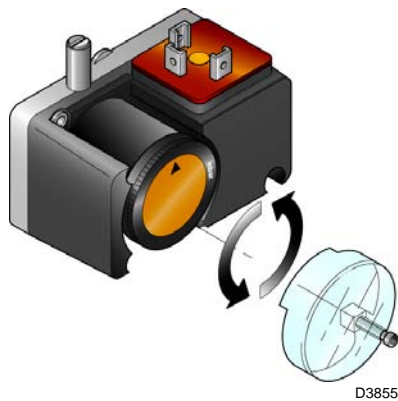
NOTA

Uma vez terminada a regulação das potências MÁX - MÍN - INTERMÉDIAS, voltar a verificar o acendimento: deve produzir-se um ruído parecido ao do funcionamento sucessivo. Se forem observadas pulsações, reduzir o caudal do acendimento.

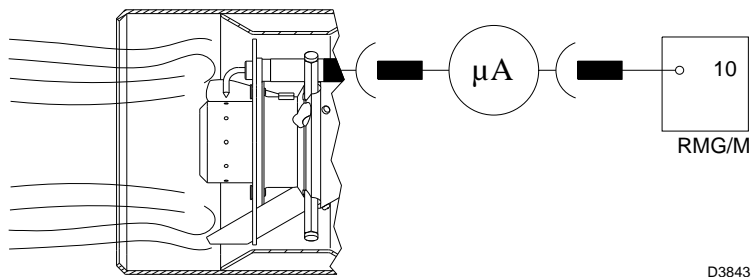


(A)

PRESSOSTATO GÁS DE MÍNIMA



(B)



(C)

4 - PRESSOSTATO DE AR (A)

Efectuar a regulação do pressostato de ar, depois de ter feito todas as restantes regulações do queimador, com o pressostato de ar ajustado ao início da escala (A).

Com o queimador em função com a potência MIN, inserir um analisador da combustão no chaminé, fechar lentamente o canal de aspiração do ventilador (por exemplo com um pedaço de papelão) até que o valor de CO não ultrapasse os 100 ppm.

Portanto, girar lentamente o especial botão em sentido horário até bloquear o queimador.

Verificar então a indicação da flecha virada para cima na escala graduada (A). Girar novamente o botão em sentido horário até que o valor indicado na escala graduada coincida com a flecha virada para baixo (A), recuperando deste modo a histerese do pressostato representada pelo campo branco em um fundo azul-escuro incluído entre as duas flechas.

Verificar agora o correcto arranque do queimador.

Se o queimador se bloqueia de novo, rodar o botão um pouco mais, no sentido contrário ao dos ponteiros do relógio.

O pressostato de ar instalado pode funcionar de maneira "diferencial", se for conectado a dois tubos ver 1)(A). Se existe uma grande depressão na câmara de combustão na fase varrimento pode ocorrer que o pressostato não feche o seu contacto, neste caso, colocar um tubinho entre o pressostato e a boca de aspiração do ventilador. Deste modo o pressostato funcionará como pressostato diferencial.

5 - PRESSOSTATO GÁS DE MÍNIMA (B)

Com o queimador funcionando à potência MÁX, aumentar a pressão de regulação rodando lentamente (no sentido horário) o botão fornecido para tal efeito, até que o queimador pare.

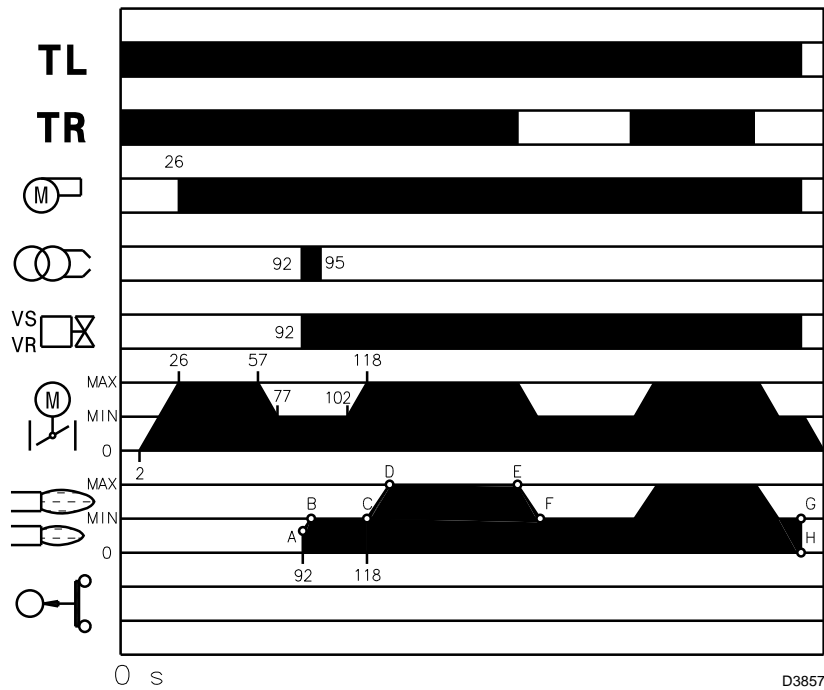
Seguidamente, rodar o referido botão (no sentido contrário ao dos ponteiros do relógio) 5 mbar e repetir o arranque do queimador para verificar a regularidade de funcionamento.

Se o queimador parar de novo, rodar o botão (no sentido contrário ao dos ponteiros do relógio) 1 mbar.

CONTROLO DE PRESENÇA DE CHAMA (C)

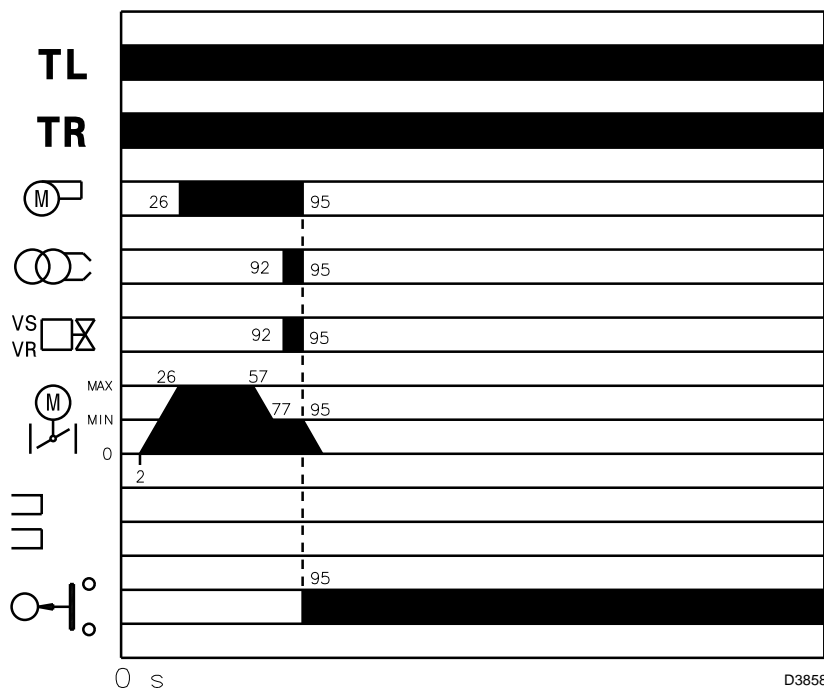
O queimador está dotado de um sistema de ionização para controlar a presença da chama. A corrente mínima para o funcionamento da caixa de controlo é de 6 μ A. O queimador gera uma corrente imediatamente superior, não precisando normalmente de nenhum controlo. No entanto, se desejar medir a corrente de ionização, é necessário desinserir a ficha-tomada 24)(A)p.4 colocada n o cabo da sonda de ionização e inserir um microamperímetro para corrente contínua de escala baixa de 100 μ A. Atenção à polaridade.

ACENDIMENTO NORMAL
(n° = segundos a partir do instante 0)



(A)

FALTA DE ACENDIMENTO



(B)

FUNCIONAMENTO DO QUEIMADOR

ARRANQUE DO QUEIMADOR (A)

- 0s: Fechamento termóstato/pressostato TL.
- 2s: Inicia o programa da caixa de controle. Entra em funcionamento o servomotor: gira para a esquerda 90°, isto é, até que intervém o contacto da came I (D)p. 10.
- 26s: A comporta de ar chega na posição de potência MÁX. Arranque motor ventilador. Inicia a fase de pré-ventilação.
- 57s: O servomotor gira para a direita até o ângulo configurado na came III (D)p. 10 para a potência MÍN.
- 77s: A comporta do ar e a borboleta do gás posicionam-se na potência MÍN. (com came III)(D)p.10 a 15°.
- 92s: Gera-se faísca no eléctrodo de acendimento. Abrem-se as electroválvulas de segurança VS e de regulação VR (abertura rápida). Acende-se a chama, com pouca potência, ponto A. Continua um progressivo aumento da potência, abertura lenta da electroválvula VR, até à potência MÍN, ponto B.
- 94s: A faísca apaga-se.
- 118s: Finaliza o ciclo de arranque.

FUNCIONAMENTO A REGIME (A)

Queimador sem o kit para funcionamento modular

Finalizado o ciclo de arranque, o comando do servomotor passa ao termóstato/pressostato TR, que controla a pressão ou a temperatura na caldeira, ponto C.

A caixa de controlo eléctrica continua de qualquer forma a controlar a presença de chama e a correcta posição dos pressostatos de ar e gás.

- Se a temperatura ou a pressão está baixa, e portanto o controlo remoto TR está fechado, o queimador aumenta progressivamente a potência até o valor MÁX. (trecho C-D).
- Se então a temperatura ou a pressão aumenta até a abertura do TR, o queimador diminui progressivamente a potência até o valor MÍN. (trecho E-F). E assim sucessivamente.
- A paragem do queimador faz-se quando a procura de calor é inferior à gerada pelo queimador à potência MÍN (segmento G-H). O termóstato/pressostato TL abre-se, o servomotor volta ao ângulo 0°. A comporta fecha-se completamente para reduzir as perdas de calor ao mínimo.

Queimador com o kit para funcionamento modular

Ver o Manual de Instruções que acompanha o regulador.

FALTA DE ACENDIMENTO (B)

Se o queimador não acende, ocorre o bloqueio em até 3 s da abertura da válvula de gás.

EXTINÇÃO DA CHAMA DURANTE O FUNCIONAMENTO

Se a chama se apagar durante o funcionamento, o queimador bloqueia-se em 1 segundo.

CONTROLO FINAL (com o queimador em funcionamento):

- desconectar um fio do pressostato gás de mínima;
- abrir o termóstato/pressostato TL;
- abrir o termóstato/pressostato TS;


o queimador deve parar.


- Desligar o tubo de adução ar ao pressostato;
- desconectar o fio da sonda de ionização;


o queimador deve bloquear-se.

Comprovar que os bloqueios mecânicos dos dispositivos de regulação estão bem apertados.

MANUTENÇÃO

 O queimador requer uma manutenção periódica, que deve ser realizada por pessoal habilitado e em conformidade com as leis e normas locais.

 A manutenção periódica é essencial para o bom funcionamento do queimador; essa reduz os consumos inúteis de combustível e reduz as emissões de poluentes no ambiente.

 Antes de realizar qualquer operação de limpeza ou controlo, remover a alimentação eléctrica do queimador, actuando sobre o interruptor geral da instalação.

Combustão

Fazer a análise dos gases de combustão que saem da caldeira. As diferenças significativas em relação à última análise indicarão os pontos onde deverão centrar-se as operações de manutenção.

Fugas de gás

Comprovar que não existem fugas de gás na conduta contador-queimador.

Filtro de gás

Substituir o filtro do gás quando estiver sujo (ver instrução linha).

Cabeçal de combustão

Abrir o queimador e verificar que todas as partes do cabeçal de combustão estão intactas e não deformadas pelas altas temperaturas, não têm sujidade proveniente do ambiente e que estão correctamente posicionadas. Em caso de dúvidas, desmontar o cotovelo.

Servomotor

Desbloquear a came 4)(A)p.12, girando 90° a ranhura 2)(A)p.12 e controlar manualmente que a sua rotação, para a frente e para trás, se efectue com facilidade. Bloquear de novo a came 4)p.12.

Queimador

Verificar que não há um desgaste anormal ou parafusos frouxos nos mecanismos que controlam a comporta do ar e a válvula de borboleta do gás. De igual modo, os parafusos que fixam os cabos eléctricos na régua de terminais e nas tomadas do queimador devem estar bem apertados.

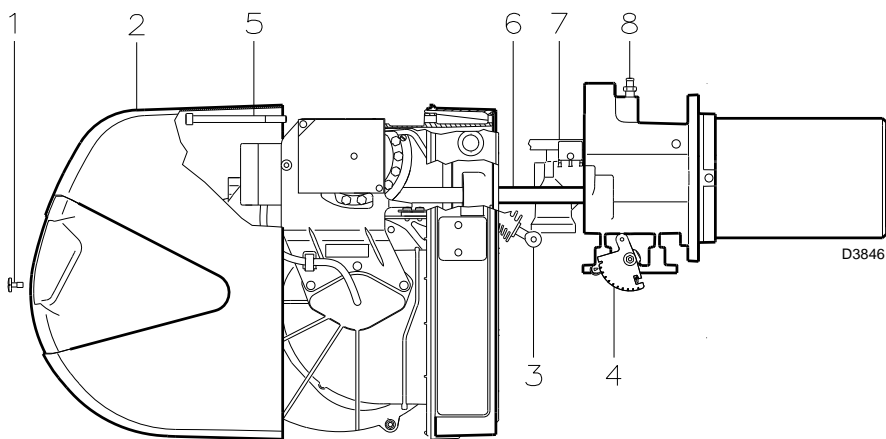
Limpar exteriormente o queimador, em particular as rótulas e a came 4)(A)p.12.

Combustão

Regular o queimador se os valores da combustão obtidos no início da intervenção não cumprem as normas em vigor ou não correspondem a uma boa combustão.

Anotar numa ficha de controlo os novos valores da combustão; serão úteis para controlos sucessivos.

ABERTURA DO QUEIMADOR



(A)

PARA ABRIR O QUEIMADOR (A):

- Cortar a corrente eléctrica.
- Aliviar o parafuso 1) e extrair a cobertura 2).
- Soltar a rótula 3) do sector graduado 4).
- Tirar o parafuso 5) apenas no caso de modelos com cabeça longa, atrasar o queimador nas guias 6) por cerca de 100 mm. Desligar os cabos da sonda e do eléctrodo e deslocar todo o queimador.

Neste ponto é possível extrair o distribuidor de gás 7), depois de se ter desenroscado o parafuso 8).

Tirar os parafusos 2)(B)p. 7 e aparafusar as duas extensões 25)(A)p.4 entregue com o queimador.

Parafusar novamente os dois parafusos 2)(B)p.7 no terminal das extensões.



ATENÇÃO

Proceder à montagem da parte interna do cabeçal de combustão aparafusando o parafuso 8)(A) com um binário de aperto de 4 ± 6 Nm.

PARA FECHAR O QUEIMADOR (A):

- Conduzir o queimador até cerca de 100 mm da mangueira.
- Voltar a ligar os cabos e deslocar o queimador até ao fim.
- Recolocar o parafuso 5) e puxar delicadamente em direcção ao exterior os cabos de sonda e o eléctrodo, até colocá-los em ligeira tensão.
- Voltar a enganchar a rótula 3) no sector graduado 4).
- Nos modelos com cabeça longa, desaparafusar as extensões e reposicionar no próprio espaço; parafusar as guias aos parafusos 2)(C)p.7.
- Reposicionar a cobertura 2) e fixar com o parafuso 1).

MANUTENÇÃO QUADRO ELÉCTRICO

Se for necessário efectuar a manutenção do quadro eléctrico 1)(B) é possível tirar unicamente a ventoinha de arrefecimento 2)(B) para consentir um melhor acesso aos componentes eléctricos.

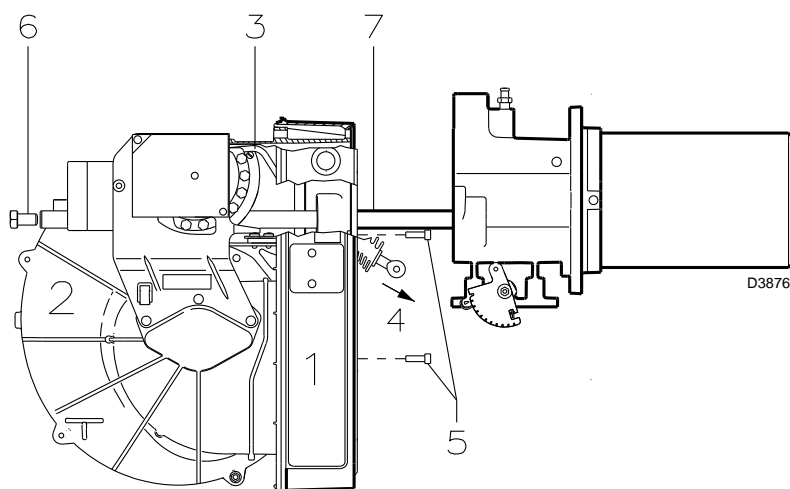
Com o queimador aberto como na fig. (A), desengatar o tirante 3)(B), tirando o parafuso na came a perfil variável, e extrai-lo pela extremidade 4)(B).

Neste ponto, desconectar as cablagens relativas a pressostato de ar, servomotor e motor ventilador.

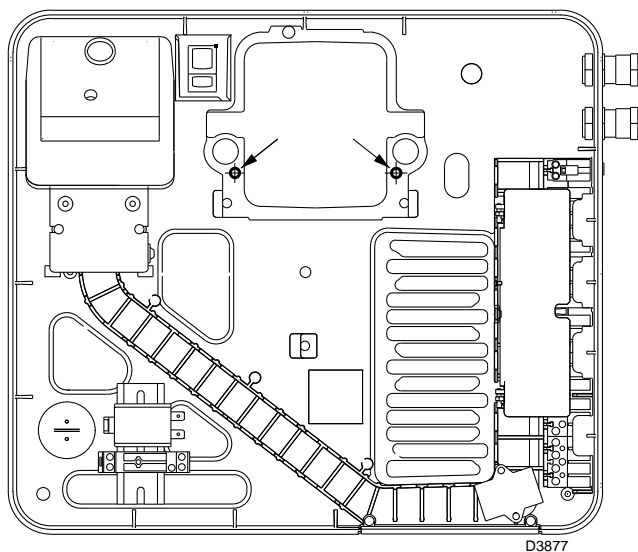
Tirar portanto os 3 parafusos 5)(B) presentes na chapa de protecção.

Tirando os 2 parafusos 6)(B) é possível desengatar a ventoinha de arrefecimento 2)(B) das guias 7)(B).

Em fim, podem ser utilizados 2 dos 3 parafusos 5)(B) para fixar o quadro eléctrico à mangueira, nos pontos indicados na fig. (C), e efectuar portanto as operações de manutenção.



(B)



(C)

DIAGNÓSTICO DO PROGRAMA DE ARRANQUE

Durante o programa de arranque, as indicações são explicadas na seguinte tabela:

TABELA CÓDIGO COR	
Sequências	Código cor
Pré-ventilação	● ● ● ● ● ● ● ● ● ●
Fase de acendimento	● ○ ● ○ ● ○ ● ○ ●
Funcionamento com chama ok	□ □ □ □ □ □ □ □ □ □
Funcionamento com sinal de chama fraca	□ ○ □ ○ □ ○ □ ○ □
Alimentação eléctrica inferior a ~ 170V	● ▲ ● ▲ ● ▲ ● ▲ ●
Bloqueio	▲ ▲ ▲ ▲ ▲ ▲ ▲ ▲ ▲
Luz estranha	▲ □ ▲ □ ▲ □ ▲ □ ▲
Legenda:	○ Apagado ● Amarelo □ Verde ▲ Vermelho

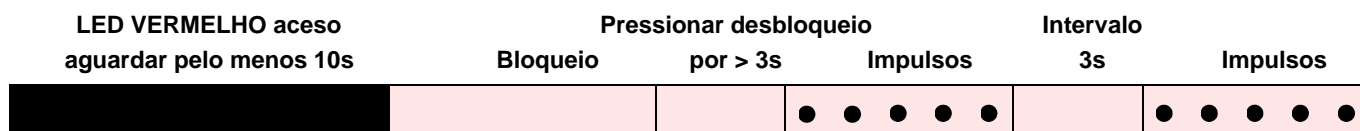
DESBLOQUEIO DO EQUIPAMENTO E UTILIZAÇÃO DO DIAGNÓSTICO

O equipamento fornecido de série possui uma sua função de diagnóstico, por meio da qual é possível localizar facilmente as eventuais causas de mau funcionamento (sinalização: **LED VERMELHO**).

Para utilizar tal função, é necessário aguardar pelo menos 10 segundos após a colocação da segurança (**bloqueio**) e, em seguida, pressionar o botão de desbloqueio.

O equipamento cria uma sequência de impulsos (à distância de 1 segundo) que se repete a intervalos constantes de 3 segundos.

Visualizado o número de sinais intermitentes e identificada a provável causa, é necessário reiniciar o sistema, mantendo o botão pressionado por um período de tempo compreendido entre 1 e 3 segundos.



A seguir, estão ilustrados os métodos possíveis para efectuar o desbloqueio do equipamento e para a utilização do diagnóstico.

DESBLOQUEIO DA CAIXA DE CONTROLO

Para efectuar o desbloqueio do equipamento, agir como segue:

- Premir o botão por um período de tempo compreendido entre 1 e 3 segundos.
O queimador arranca após uma pausa de 2 segundos depois de se ter largado o botão. No caso em que o queimador não arranque é necessário verificar o fechamento do termostato limite.



Em caso de paragem do queimador, para evitar danos à instalação, não desbloqueie o queimador mais que duas vezes em seguida. Se o queimador se bloquear pela terceira vez, entre em contacto com o serviço de assistência.



Se ocorrerem outros bloqueios ou anomalias do queimador, as intervenções devem ser realizadas exclusivamente por pessoal habilitado autorizado, de acordo com o relatado neste manual e em conformidade com as normas e disposições de lei vigentes.

DIAGNÓSTICO VISUAL

Indica o tipo de defeito do queimador que determina o bloqueio do mesmo.

Para visualizar o diagnóstico, agir como segue:

- Com o led vermelho fixo (bloqueio do queimador), manter premido o botão por mais de 3 segundos.
O fim da operação será indicado pelo acender de um led amarelo intermitente.
Soltar o botão após o piscar do led. O número de sinais intermitentes evidencia a causa do mau funcionamento de acordo com a codificação indicada na tabela de pag. 18.

DIAGNÓSTICO SOFTWARE

Fornecer a análise da vida vida do queimador por meio da conexão óptica ao PC, indicado as relativas horas de funcionamento, número e tipos de bloqueios, número de série do equipamento etc...

Para visualizar o diagnóstico, agir como segue:

- Com o led vermelho fixo (bloqueio do queimador), manter premido o botão por mais de 3 segundos.
O fim da operação será indicado pelo acender de um led amarelo intermitente.
Soltar o botão por 1 segundo e em seguida, voltar a premi-lo por mais de 3 segundos até à visualização de um ulterior piscar amarelo.
Quando se solta o botão, o led vermelho irá piscar em modo intermitente com frequência elevada: só nessa altura será possível inserir a conexão óptica.

Uma vez executadas as operações, é necessário restabelecer o estado inicial do equipamento por meio do procedimento de desbloqueio acima descrito.

PRESSÃO NO BOTÃO	ESTADO DO EQUIPAMENTO
De 1 a 3 segundos	Desbloqueio do equipamento sem visualização do diagnóstico visual.
Mais de 3 segundos	Diagnóstico visual da condição de bloqueio: (piscar do led com intermitência de 1 segundo).
Mais de 3 segundos a partir da condição de diagnóstico visual	Diagnóstico software com auxílio de interface óptica e PC (possibilidade de visualização das horas de funcionamento, das anomalias, etc..)

A sequência dos impulsos emitidos pelo equipamento identifica os possíveis tipos de avaria que são ilustrados na tabela de pag. 18.

Sinal	Anomalia	Causa provável	Solução
2 sinais intermitentes ● ●	Superada a pré-ventilação e o tempo de segurança, o queimador bloqueia-se sem que apareça a chama.	1 - A electroválvula de funcionamento faz passar pouco gás. 2 - Uma das electroválvulas não se abre. 3 - Pressão de gás demasiado baixa 4 - Eléctrodo de acendimento mal regulado 5 - Eléctrodo à massa por rotura do isolamento 6 - Cabo de alta tensão defeituoso 7 - Cabo de alta tensão deformado pela alta temperatura 8 - Transformador de acendimento defeituoso 9 - Ligações eléctricas válvulas ou transformador incorrectos 10 - Caixa de controlo defeituosa 11 - Uma válvula antes da linha de gás, fechada 12 - Ar nas tubagens 13 - Válvulas gás não ligadas ou bobina interrompida	Aumentá-lo Substituir Aumentá-la no regulador Regulá-lo Substituí-lo Substituí-lo Substituí-lo e protegê-lo Substituí-lo Comprová-los Substituí-la Abri-la Purgá-lo Verificar ligações ou substituir bobina
3 sinais intermitentes ● ● ●	O queimador não arranca e acontece o bloqueio	14 - O pressóstato de ar em posição de funcionamento	Regulá-lo ou substituí-lo
	O queimador arranca mas bloqueia-se de imediato	- O pressóstato de ar não comuta por pressão de ar insuficiente: 15 - Pressóstato de ar mal regulado 16 - Tubo tomada pressão ar do pressóstato obstruído 17 - Cabeçal mal regulado 18 - Alta pressão na câmara de combustão	Regulá-lo ou substituí-lo Limpá-lo Regulá-lo Ligar pressóstato de ar à aspiração do ventilador
	Bloqueio durante o pré-ventilação	19 - Contador do comando motor defeituoso (somente versão trifásica) 20 - Motor eléctrico defeituoso 21 - Bloqueio do motor (somente versão trifásica)	Substituí-lo Substituí-lo Substituí-lo
4 sinais intermitentes ● ● ● ●	O queimador arranca mas bloqueia-se de imediato	22 - Simulação de chama	Substituir a caixa de controlo
	Bloqueio ao parar o queimador	23 - Há chama no cabeçal de combustão ou simulação de chama	Eliminar a chama ou substituir a caixa de controlo
6 sinais intermitentes ● ● ● ● ● ●	O queimador arranca mas bloqueia-se de imediato	24 - Servomotor defeituoso ou mal regulado	Regulá-lo ou substituí-lo
7 sinais intermitentes ● ● ● ● ● ● ●	O queimador bloqueia-se logo depois que aparece a chama	25 - A electroválvula de funcionamento faz passar pouco gás 26 - Sonda de ionização mau regulada 27 - Ionização insuficiente (inferior a 5 A) 28 - Sonda à massa 29 - Terra defeituosa 30 - Fase e neutro invertidos 31 - Avaria do circuito de observação da chama	Aumentá-lo Regulá-lo Verificar a posição da sonda Separá-la ou substituir o cabo Rever tomada de terra Inverter Substituir a caixa de controlo
	Bloqueio do queimador na passagem entre potência mínima e máxima, e vice-versa	32 - Demasiado ar ou pouco gás	Regular ar o gás
	Em funcionamento, o queimador bloqueia-se	33 - Sonda ou cabo de ionização à massa	Substituir a(s) peça(s) deteriorada(s)
10 sinais intermitentes ● ● ● ● ● ● ● ● ● ●	O queimador não arranca e acontece o bloqueio	34 - Ligações eléctricas incorrectas	Comprová-los
	O queimador bloqueia-se	35 - Caixa de controlo defeituosa 36 - Presença de distúrbios electromagnéticos sobre as linhas dos termóstatos 37 - Presença de distúrbios electromagnéticos	Substituí-la Filtrá-los ou eliminá-los Utilizar o kit protecção contra as rádio-interferências

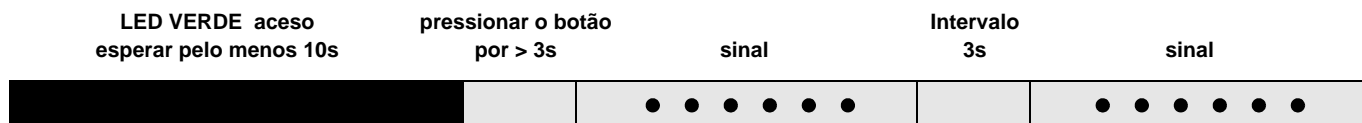
Sinal	Anomalia	Causa provável	Solução
Nenhum sinal intermitente	O queimador não arranca	38 - Falta corrente eléctrica	Fechar interruptores eléctricos
		39 - Um termóstato de regulação ou de segurança aberto. .	Regulá-lo ou substituí-lo
		40 - Fusível de linha de controlo fundido	Substituí-lo
		41 - Caixa de controlo defeituosa	Substituí-la
42 - Falta de gás		Abrir válvulas manuais entre o contador e a linha	
O queimador continua a repetir o ciclo de arranque sem se bloquear	O queimador não arranca	43 - Pressão de gás na rede insuficiente	Contacte a COMPANHIA DO GÁS
		44 - O pressóstato de gás de mínima não fecha	Regulá-lo ou substituí-lo
		45 - Servomotor não vai à posição de mín. acendimento. . .	Substituí-lo
		46 - A pressão do gás na rede está próxima do valor ao qual está regulado o pressóstato gás de mínima. A queda repentina de pressão que se tem quando se abre a válvula provoca a abertura do próprio pressóstato, razão pela qual a válvula se fecha imediatamente e o motor pára. A pressão volta a aumentar, o pressóstato fecha e faz com que o ciclo de arranque se repita. E assim sucessivamente.	Reduzir a pressão de intervenção do pressóstato de gás de mínima. Substituir a cartucho do filtro de gás.
Acendimento com pulsações		47 - Cabeçal mal regulado	Regular
O queimador não atinge a potência máxima	O queimador não arranca	48 - Eléctrodo de acendimento mal regulado	Regulá-lo
		49 - Registo ventilador mal regulado; demasiado ar.	Regulá-lo
		50 - Potência de acendimento demasiado elevada	Reduzi-la
		51 - Controlo remoto TR não fecha.	Regulá-lo ou substituí-lo
O queimador fica com o registo de ar aberto		O queimador não arranca	52 - Caixa de controlo defeituosa
	53 - Servomotor defeituoso.		Substituí-lo
	54 - Servomotor defeituoso.		Substituí-lo

FUNCIONAMENTO NORMAL / TEMPO DE OBSERVAÇÃO DA CHAMA

A caixa de controlo possui uma ulterior função, através da qual é possível verificar o correcto funcionamento do queimador (sinalização: **LED VERDE** permanentemente aceso).

Para utilizar tal função é necessário esperar pelo menos dez segundos desde o acendimento do queimador e pressionar o botão da caixa de controlo por um tempo mínimo de três segundos.

Solto o botão, o LED VERDE começará a piscar, como ilustrado na figura abaixo.



As pulsações do LED constituem sinais com intervalos de cerca de 3 segundos.

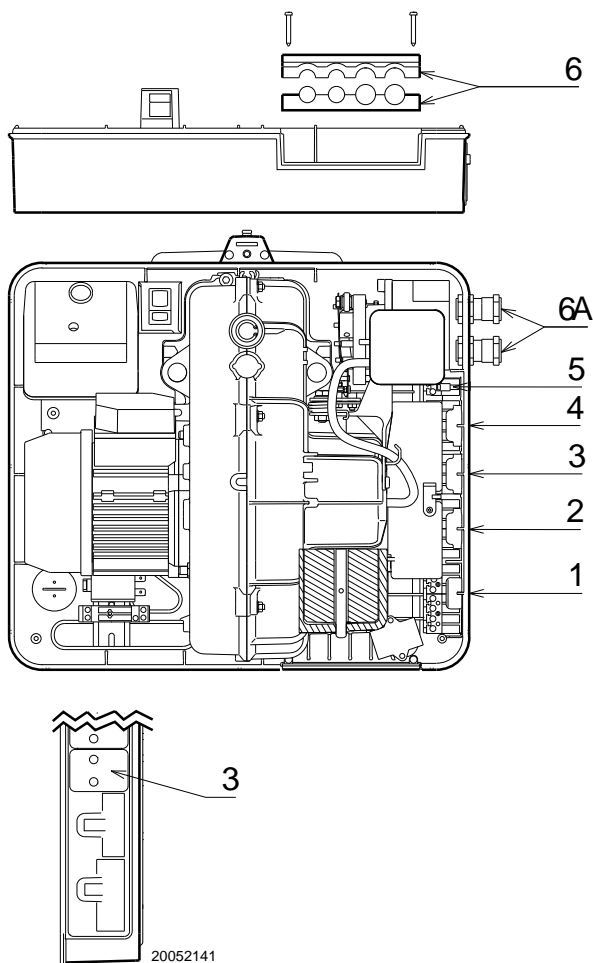
O número de pulsações indicará o TEMPO DE OBSERVAÇÃO da sonda desde a abertura das válvulas de gás, segundo a tabela seguinte.

SINAL	TEMPO DE OBSERVAÇÃO DA CHAMA
1 sinal intermitente ●	0.4 s
2 sinais intermitentes ● ●	0.8 s
6 sinais intermitentes ● ● ● ● ● ●	2.8 s

A cada arranque do queimador, este dado é actualizado. Realizada a leitura, pressionando brevemente o botão da caixa de controlo, o queimador repete o ciclo de arranque.

ATENÇÃO
Se se obtém um tempo > 2 s tem-se o acendimento atrasado. Verificar a regulação do travão hidráulico na válvula de gás e regular o registo de ar e o cabeçal de combustão.

KIT INTERFACE ADAPTER RMG TO PC Código 3002719



Ligações eléctricas



NOTAS

As ligações eléctricas devem ser executadas conforme as normas em vigor do país de destino e por pessoal qualificado.

Riello S.p.A. declina toda responsabilidade de modificações ou conexões diferentes daquelas representadas nestes esquemas.

Usar cabos flexíveis conforme a norma EN 60 335-1:

Todos os cabos a ligar ao queimador devem ser feitos passar pelos passacabos.

Os passacabos podem ser utilizados de várias formas; como exemplo, indicamos a seguinte forma:

RS 34-44/M MZ monofásico

- 1- Tomada de 7 pólos para alimentação monofásico, termóstato/pressostato TL
- 2- Tomada de 6 pólos para válvulas de gás, pressostato gás ou dispositivo para o controlo de estanquidade das válvulas
- 3- Tomada de 4 pólos para termóstato/pressostato TR (com cobertura móvel)
- 4- Tomada de 5 pólos não utilizada
- 5- Tomada de 2 pólos para acessório desbloqueio caixa de controlo a distância
- 6 - 6A Atribuições para bocas
(Perfurar em caso de necessidade das bocas 6A)

RS 44/M MZ trifásico

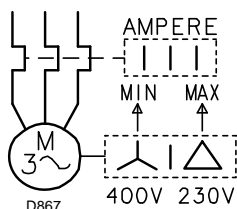
- 1- Tomada de 7 pólos para alimentação monofásico, termóstato/pressostato TL
- 2- Tomada de 6 pólos para válvulas de gás, pressostato gás ou dispositivo para o controlo de estanquidade das válvulas
- 3- Tomada de 4 pólos para termóstato/pressostato TR (com cobertura móvel)
- 4- Tomada de 5 pólos para alimentação trifásica
- 5- Tomada de 2 pólos para acessório desbloqueio caixa de controlo a distância
- 6 - 6A Atribuições para bocas
(Perfurar em caso de necessidade das bocas 6A)



A cobertura da tomada deve ser removida em caso de uso da tomada de 4 pólos.

A não utilização da tomada de 4 pólos implica na utilização da cobertura.

O fabricante declina toda e qualquer responsabilidade pela não observação do conteúdo deste manual.



CALIBRAGEM RELÉ TÉRMICO (RS 44/M MS TRIFÁSICO)

Serve para evitar que o motor se queime por um forte aumento do consumo devido à ausência de uma fase.

- Se o motor é alimentado em estrela, **400V**, o cursor deve situar-se em "MÍN".
- Se é alimentado a triângulo, **230V**, o cursor deve situar-se em "MÁX".

Se a escala do relé térmico não compreende o consumo nominal do motor a 400V, a protecção está igualmente assegurada.

NOTAS

- O modelo RS 44/M Z trifásico deixa a fábrica previsto para alimentação eléctrica **400V**. Se a alimentação for de **230 V**, alterar a ligação do motor (de estrela a triângulo) e a regulação do relé térmico.
- Os queimadores RS 34-44/M Z foram homologados para funcionamento intermitente. Isto significa que devem parar “por Norma” pelo menos uma vez cada 24 horas para permitir que a caixa de controlo faça uma verificação da eficácia ao arranque. Normalmente, a paragem do queimador é garantida pelo termóstato/pressostato da caldeira. Se assim não for, deverá colocar em série com o interruptor IN, um interruptor horário que pare o queimador pelo menos uma vez cada 24 horas.
- Os queimadores RS 34-44/M Z deixam a fábrica predispostos para funcionamento bifásico e portanto deve ser ligado o termóstato/pressostato TR. Se desejar, em vez, que o queimador tenha um funcionamento monofásico, inserir, em substituição do termóstato/pressostato TR, uma ponte entre os terminais T6 - T7 da ficha X4.

FUNCIONAMENTO MODULAR

No caso de conexão do Kit regulador de potência RWF40 ou do conversor 0...10V / 4...20mA, em sinal de 3 pontos, deve ser tirado o termóstato/pressostato TR (se a tomada de 4 pólos estiver desengatada, colocar a cobertura inclusa).

Somente com o regulador RWF 40 retirar também o termóstato/pressostato TL..



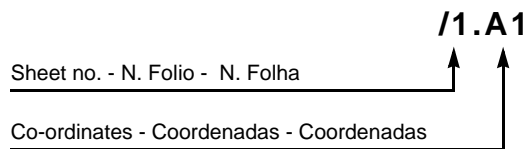
ATENÇÃO:

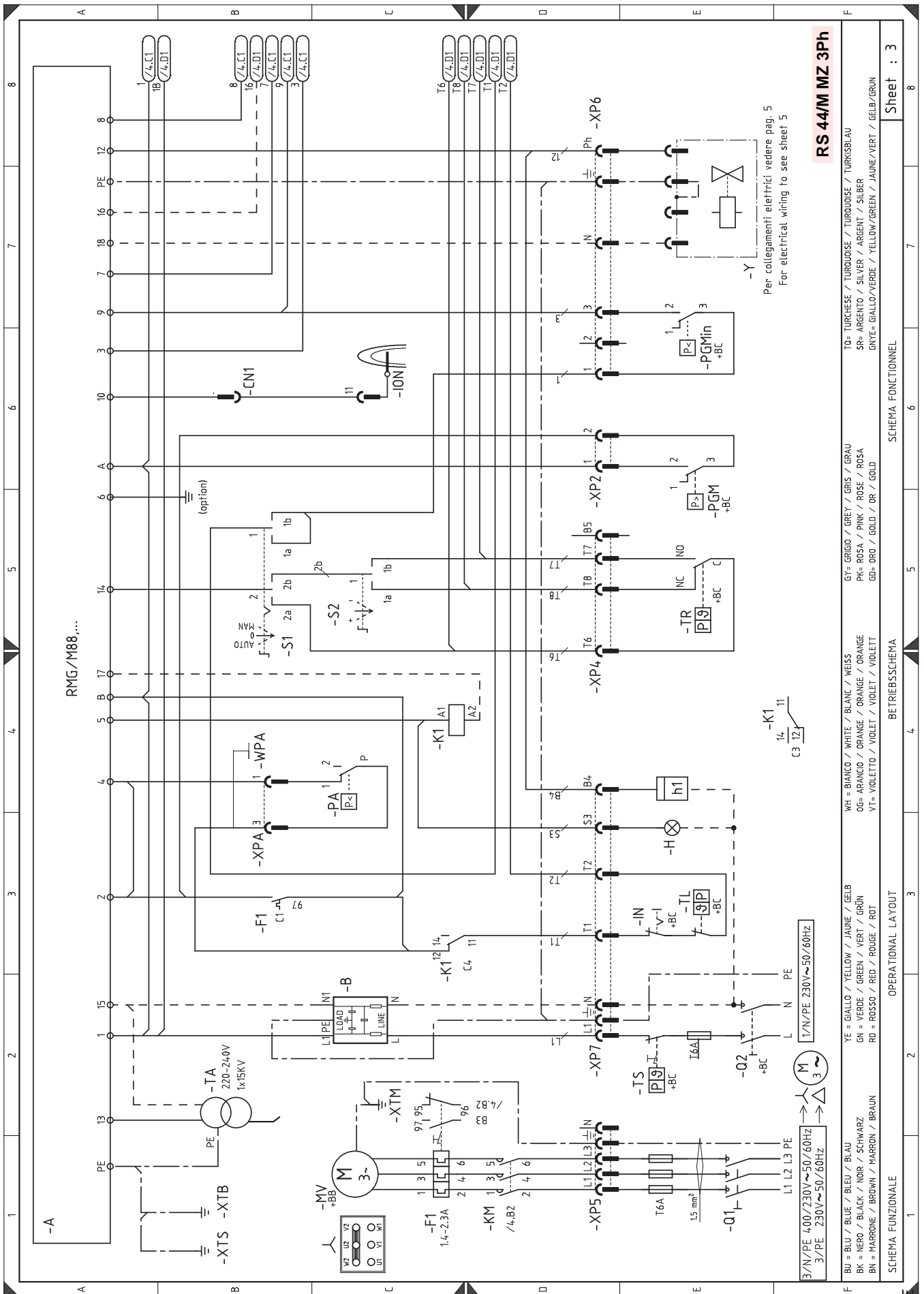
- Não inverter o neutro com a fase na linha de alimentação eléctrica. A eventual inversão poderia determinar uma paragem em bloqueio por falta de acendimento.
- Substituir os componentes unicamente com peças sobresselentes originais.

Electrical panel layout - Esquema cuadro eléctrico
Esquema quadro eléctrico

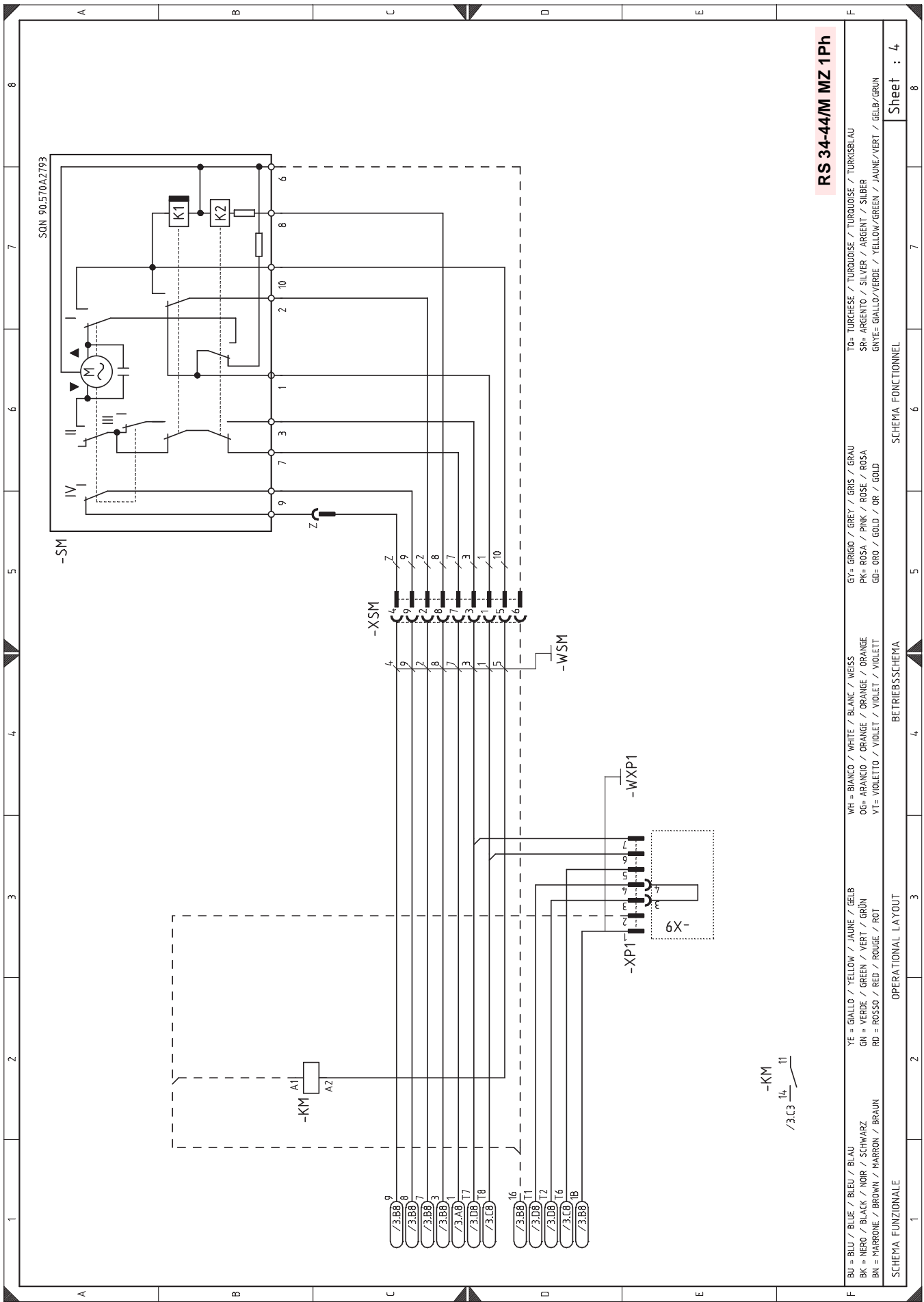
1	INDEX - ÍNDICE - ÍNDICE
2	Indication of references - Indicación referencias Indicação das referências
3	Operational layout - Esquema funcional Esquema funcional
4	Operational layout - Esquema funcional Esquema funcional
5	Electrical connections set by installer - Conexiones eléctricas a cargo del instalador Ligações eléctricas pelo instalador
6	Electrical connections set by installer - Conexiones eléctricas a cargo del instalador Ligações eléctricas pelo instalador
7	RWF 40 operational layout - Esquema funcional RWF 40 Esquema funcional RWF 40

2 **Indication of references - Indicación referencias - Indicação das referências**





BU = BLU / BLUE / BLEU / BLAU	GY = GRIGIO / GREY / GRIS / GRAU	TO = TURCHESE / TURQUOISE / TURKULOISE / TURKISBLAU
BK = NERO / BLACK / NOIR / SCHWARZ	PK = ROSA / PINK / ROSE / ROSA	SR = ARGENTO / SILVER / ARGENT / SILBER
BN = MARRONE / BROWN / MARRON / BRAUN	VB = VIOLETTA / VIOLET / VIOLET / VIOLETT	GN = VERDE / GREEN / VERT / GRÜN
	VT = VIOLETTA / VIOLET / VIOLET / VIOLETT	RD = ROSSO / RED / ROUGE / ROT
	WH = BIANCO / WHITE / BLANC / WEISS	OG = ARANCIO / ORANGE / ORANGE / ORANGE
	OG = ARANCIO / ORANGE / ORANGE / ORANGE	GD = ORO / GOLD / OR / GOLD
	YE = GIALLO / YELLOW / JAUNE / GELB	



RS 34-44/M MZ 1Ph

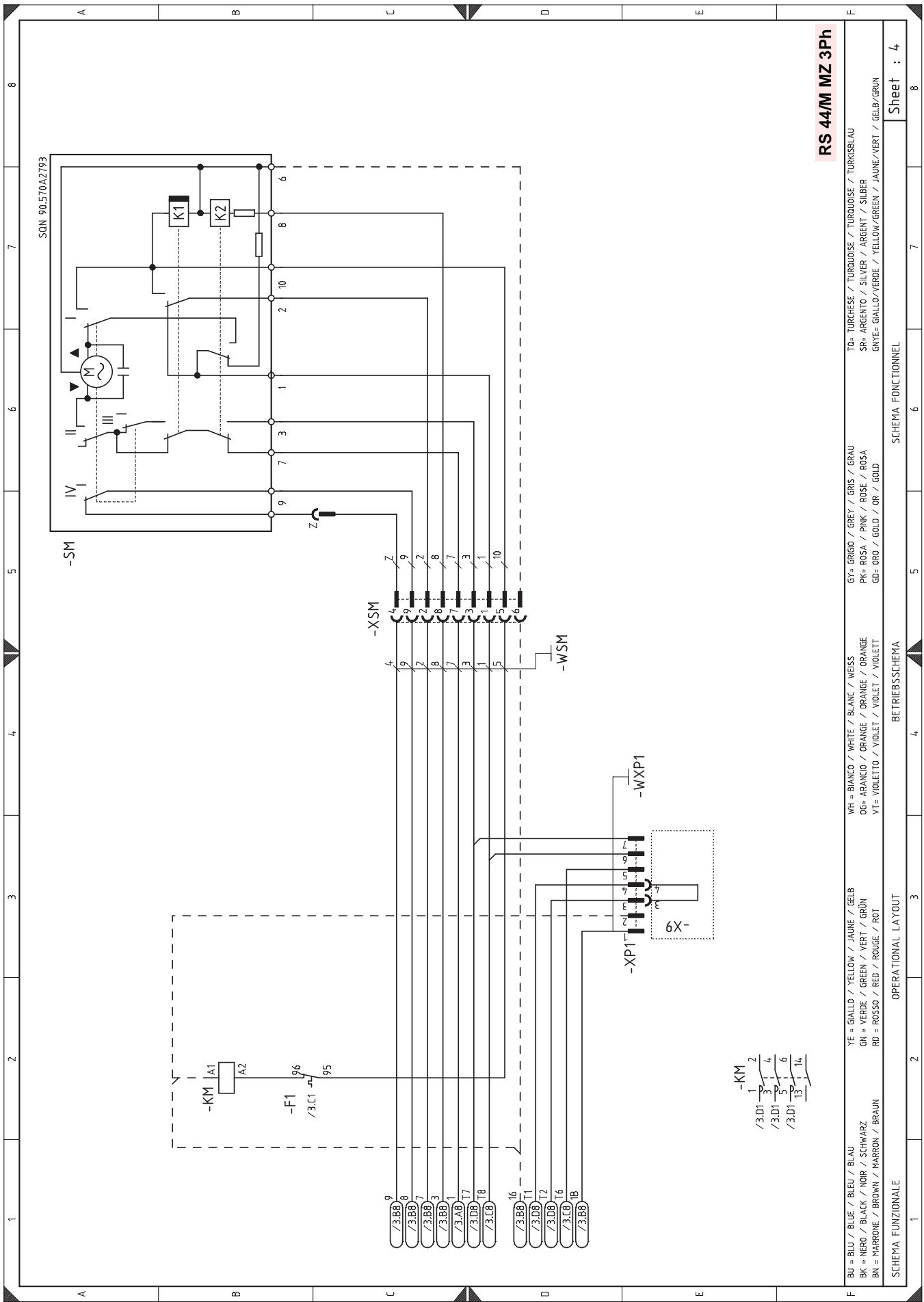
Sheet : 4

SCHEMA FONCTIONNEL

BETRIEBSSCHEMA

OPERATIONAL LAYOUT

SCHEMA FUNZIONALE



RS 44/M MZ 3Ph

BU = BILU / BLUE / BLEU / BLAU	YE = GIALLO / YELLOW / JAUNE / GELB	WH = BIANCO / WHITE / BLANC / WEISS	GY = GRIGIO / GREY / GRIS / GRAU	TO = TURCHESE / TURQUOISE / TURKOISE / TURKISBLAU
BK = NERO / BLACK / NOIR / SCHWARZ	GN = VERDE / GREEN / VERT / GRÜN	OG = ARANCIO / ORANGE / ORANJEE / ORANGE	PK = ROSA / PINK / ROSE / ROSA	SR = ARGENTO / SILVER / ARGENT / SILBER
BN = MARRONE / BROWN / MARRON / BRAUN	RD = ROSSO / RED / ROUGE / ROT	VT = VIOLETT / VIOLET / VIOLET / VIOLETT	GD = ORO / GOLD / OR / GOLD	GNTE = GIALLO/VERDE / YELLOW/GREEN / JAUNE/VERT / GELB/GRÜN

Sheet : 4

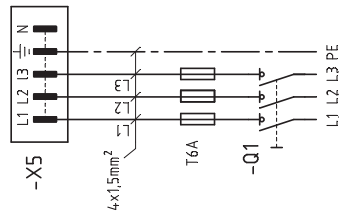
SCHEMA FUNZIONALE

SCHEMA FONCTIONNEL

OPERATIONAL LAYOUT

BETRIEBSSCHEMA

SOLO PER LA VERSIONE TRIFASE - ONLY FOR THE THREE PHASE VERSION

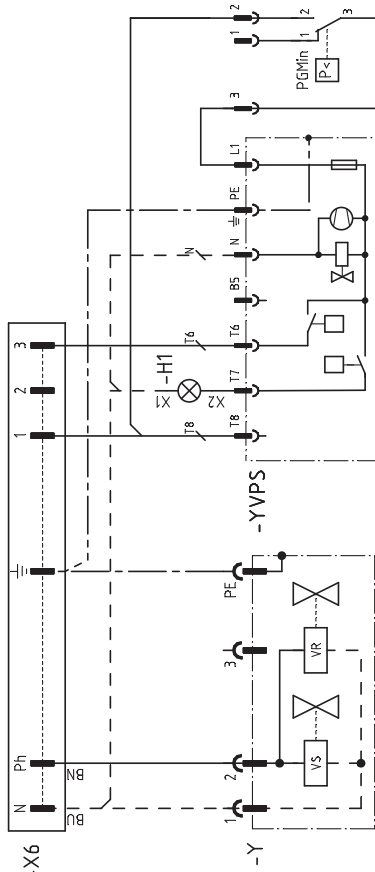


NEL CASO DI INTERRUPTORE MAGNETOTERMICO SCEGLIERE IL TIPO C
 WITH A MAGNETO-THERMAL SWITCH CHOOSE TYPE C
 EN CAS D' INTERRUPTEUR MAGNÉTO-THERMIQUE CHOISIR LE TYPE C
 IM FALLE EINES MAGNETOTHERMISCHEN SCHALTERS TYP C WÄHLEN

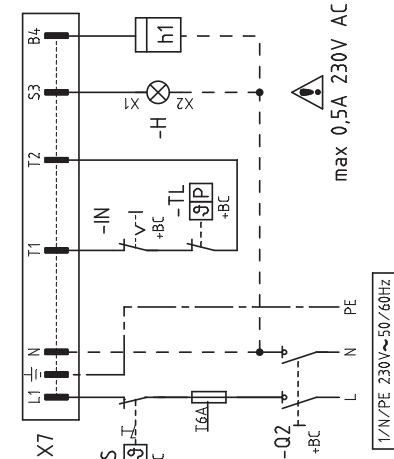


3/N/PE 400/230V~50/60Hz
 3/PE 230V~50/60Hz

CONTROLLO TENUTA VPS 504 - VPS 504 GAS LEAKAGE DETECTOR
 VPS 504 CONTROLLE D' ETANCHEITE GAZ - VPS 504 DICHTHEITSKONTROLLE



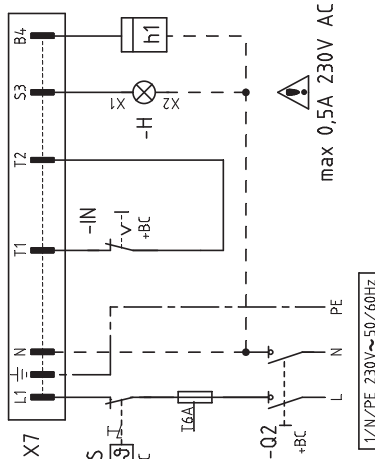
SENZA KIT RWF40 - WITHOUT RWF 40 - SANS RWF 40 - OHNE RWF 40



max 0,5A 230V AC

1/N/PE 230V~50/60Hz

CON KIT RWF40 - WITH RWF 40 - AVEC RWF 40 - MIT RWF 40



max 0,5A 230V AC

1/N/PE 230V~50/60Hz

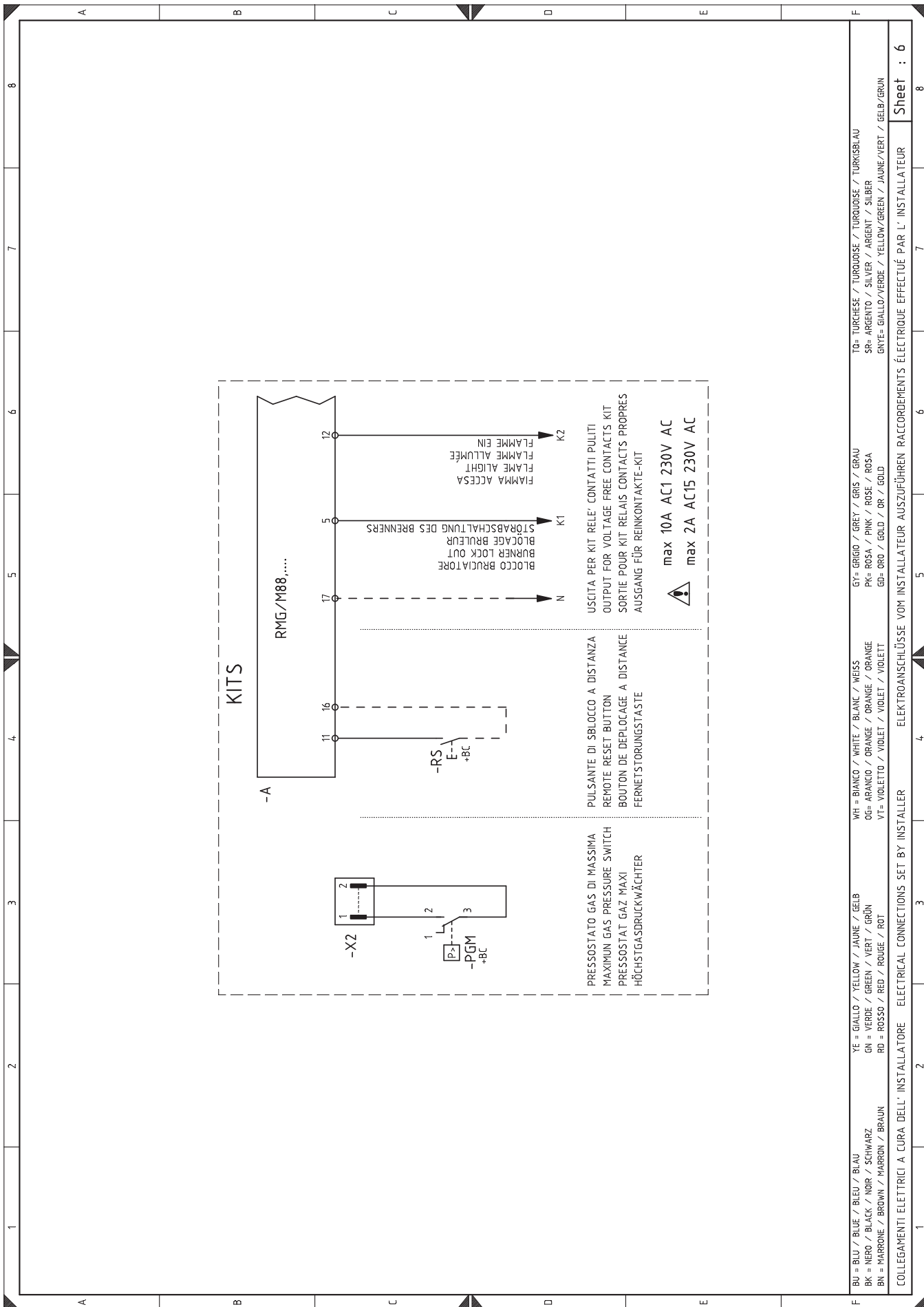
Inserire la spina senza connessioni.
 Insert the plug without connections.
 Insérer la fiche sans connexions.
 Den Stecker ohne Anschlüssen stecken.

In questa configurazione la funzione del TL viene eseguita dal kit RWF40.
 In this configuration, the TL function is performed by RWF40 kit.
 Dans cette configuration, la fonction TL est effectuée par kit RWF40.
 In dieser Konfiguration, wird die Funktion des TL durch Kit RWF40 durchgeführt.

BU = BLU / BLUE / BLEU / BLAU	YE = GIALLO / YELLOW / JAUNE / GELB	WH = BIANCO / WHITE / BLANC / WEISS	TO = TURCHESE / TURKHOISE / TURKULOISE / TURKISBLAU
BK = NERO / BLACK / NOIR / SCHWARZ	GN = VERDE / GREEN / VERT / GRÜN	OG = ARANCIO / ORANGE / ORANGEE / ORANGE	SR = ARGENTO / SILVER / ARGENT / SILBER
BN = MARRONE / BROWN / MARRON / BRAUN	RD = ROSSO / RED / ROUGE / ROT	VT = VIOLETTA / VIOLET / VIOLET / VIOLETT	GNV = GIALLO/VERDE / YELLOW/GREEN / JAUNE/VERT / GELB/GRÜN

COLLEGAMENTI ELETTRICI A CURA DELL'INSTALLATORE ELECTRICAL CONNECTIONS SET BY INSTALLER ELEKTROANSCHLÜSSE VOM INSTALLATEUR AUSZUFÜHREN RACCORDEMENTS ÉLECTRIQUE EFFECTUÉ PAR L'INSTALLATEUR

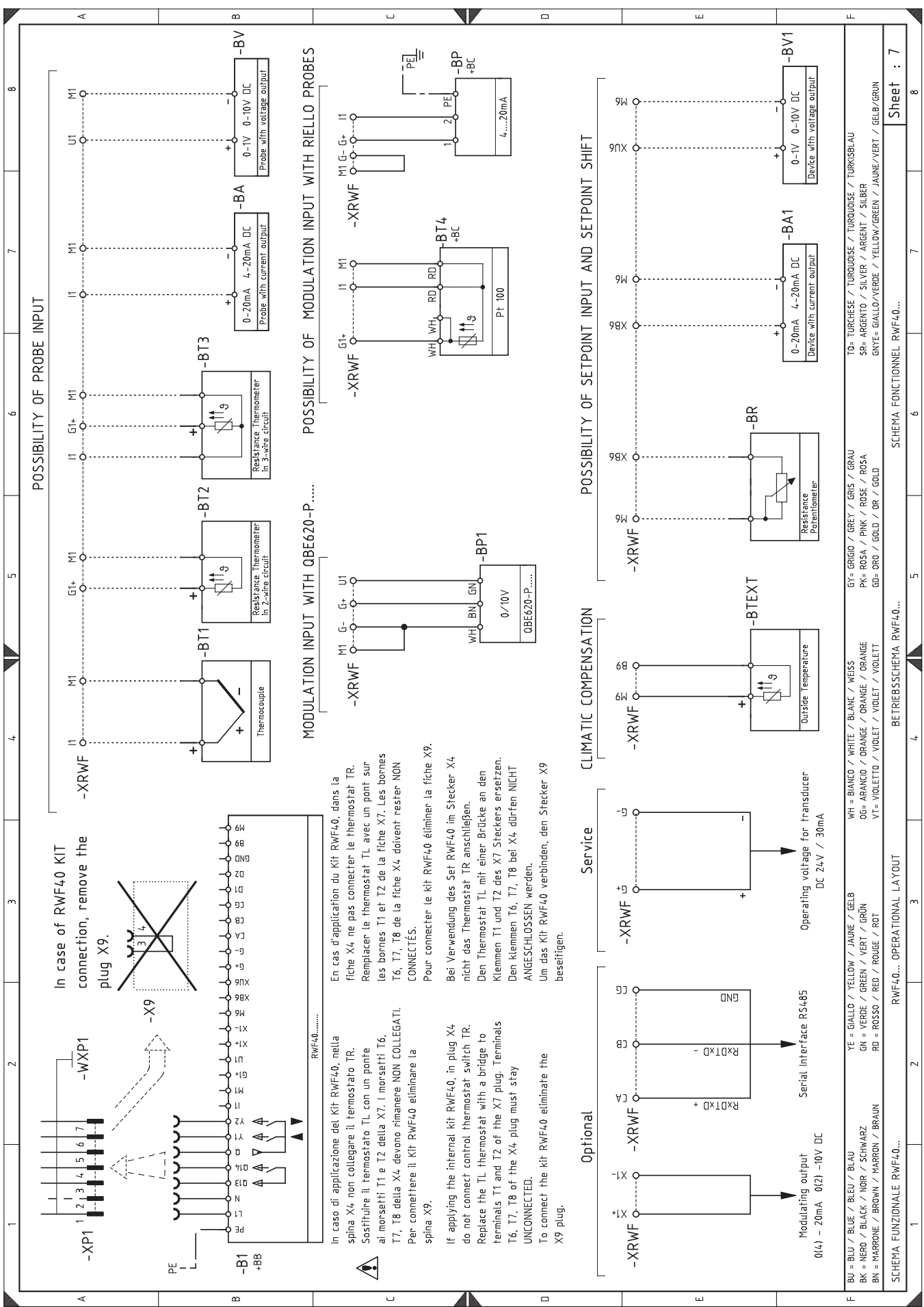
Sheet : 5



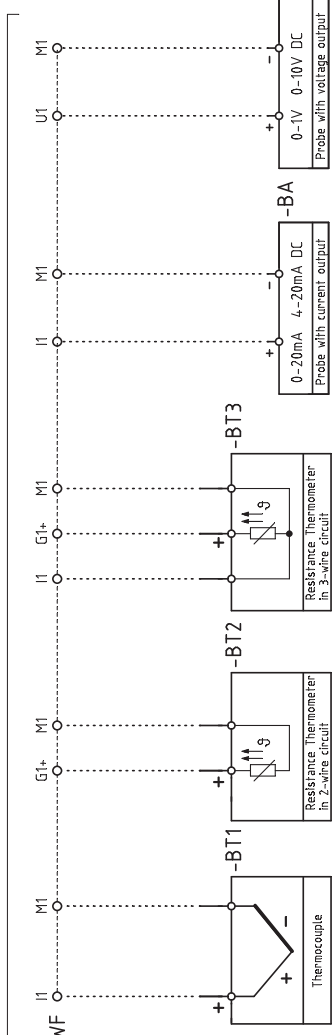
BU = BILU / BLUE / BLEU / BIAU	YE = GIALLO / YELLOW / JAUNE / GELB	WH = BIANCO / WHITE / BLANC / WEISS	EY = GRIGIO / GREY / GRIS / GRAU	TO = TURCHESE / TURQUOISE / TURKOISE / TURKISBLAU
BK = NERO / BLACK / NOIR / SCHWARZ	GN = VERDE / GREEN / VERT / GRÜN	OG = ARANCIO / ORANGE / ORANGEE / ORANGE	PK = ROSA / PINK / ROSE / ROSA	SR = ARGENTO / SILVER / ARGENT / SILBER
BN = MARRONE / BROWN / MARRON / BRAUN	RD = ROSSO / RED / ROUGE / ROT	VT = VIOLETTA / VIOLET / VIOLET / VIOLETT	GB = GRIGIO / GOLD / OR / GOLD	GY = GIALLO / VERDE / YELLOW / GREEN / JAUNE / VERT / GELB / GRÜN

COLLEGAMENTI ELETTRICI A CURA DELL'INSTALLATORE ELECTRICAL CONNECTIONS SET BY INSTALLER ELEKTROANSCHLÜSSE VOM INSTALLATEUR AUSZUFÜHREN RACCORDEMENTS ÉLECTRIQUE EFFECTUÉ PAR L'INSTALLATEUR

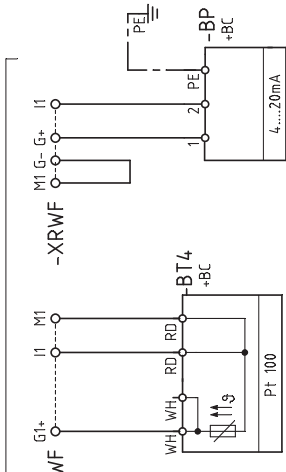
Sheet : 6



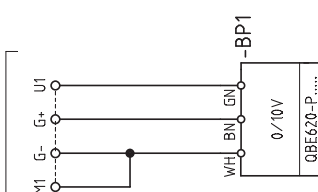
POSSIBILITY OF PROBE INPUT



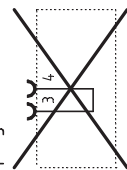
POSSIBILITY OF MODULATION INPUT WITH RIELLO PROBES



MODULATION INPUT WITH QBEE620-P.....



In case of RWf40 KIT connection, remove the plug X9.



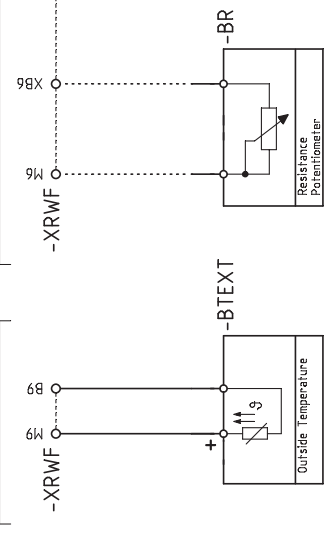
En cas d'application du Kit RWf40, dans la fiche X4 ne pas connecter le thermostat TR. Remplacer le thermostat TL avec un pont sur les bornes T1 et T2 de la fiche X7. Les bornes T6, T7, T8 de la fiche X4 doivent rester NON CONNECTES.

In caso di applicazione del Kit RWf40, nella spina X4 non collegare il termostato TR. Sostituire il termostato TL con un ponte ai morsetti T1 e T2 della X7. I morsetti T6, T7, T8 della X4 devono rimanere NON COLLEGATI. Per connettere il Kit RWf40 eliminare la spina X9.

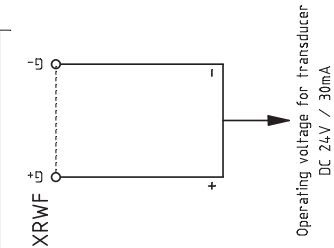
Bei Verwendung des Set RWf40 im Stecker X4 nicht das Thermostat TR anschließen. Den Thermostat TL mit einer Brücke an den Klemmen T1 und T2 des X7 Steckers ersetzen. Den Klemmen T6, T7, T8 bei X4 dürfen NICHT ANGESCHLOSSEN werden. Um das Kit RWf40 verbinden, den Stecker X9 beseitigen.

If applying the internal kit RWf40, in plug X4 do not connect control thermostat switch TR. Replace the TL thermostat with a bridge to terminals T1 and T2 of the X7 plug. Terminals T6, T7, T8 of the X4 plug must stay UNCONNECTED. To connect the kit RWf40 eliminate the X9 plug.

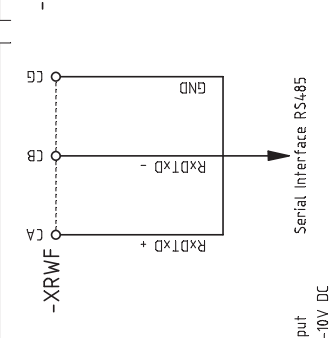
CLIMATIC COMPENSATION



Service



Optional



BU = BILU / BLUE / BLEU / BLAU	GY = GRIGIO / GREY / GRIS / GRAU	TO = TURCHESE / TURQUOISE / TURKULOISE / TURKISBLAU
BK = NERO / BLACK / NOIR / SCHWARZ	PK = ROSA / PINK / ROSE / ROSA	SR = ARGENTO / SILVER / ARGENT / SILBER
BN = MARRONE / BROWN / MARRON / BRAUN	GB = ORO / GOLD / OR / GOLD	GN = GIALLO / VERDE / YELLOW / GREEN / JAUNE / VERT / GELB / GRÜN

KEY TO ELECTRICAL LAYOUT

A	- Electrical control box
B	- Radio noise filter
B1	- Output power regulator RWF40
BA	- Input under current 4...20 mA DC
BA1	- Input under current 4...20 mA DC to modify the setpoint
+BB	- Components on burners
+BC	- Components on boiler
BP	- Pressure probe
BP1	- Pressure probe
BR	- Remote setpoint potentiometer
BT1	- Thermocouple probe
BT2	- Two-wire probe Pt100
BT3	- Three-wire probe Pt100
BT4	- Four-wire probe Pt100
BTEXT	- External probe for climatic setpoint compensation
BV	- Input under voltage 0...10 V DC
BV1	- Input under voltage 0...10 V DC to modify the remote setpoint
C1	- Capacitor
CN1	- Ionisation probe connector
CN2	- Connector
CN3	- Connector
F1	- Fan motor thermal relay
H	- Remote lockout signalling
H1	- Lockout YVPS
IN	- Manual burner stop switch
ION	- Ionisation probe
h1	- Hour counter
K1	- Relay
KM	- Motor contact maker
MV	- Fan motor
PA	- Air pressure switch
PGM	- Maximum gas pressure switch
PGMin	- Low gas pressure switch
Q1	- Three phase knife switch
Q2	- Single-phase knife switch
RS	- Remote reset button
S1	- Unlit / automatic/ manual selector switch
S2	- Power increase/decrease selector switch
SM	- Servomotor
TA	- Ignition transformer
TL	- Limit thermostat/pressure switch
TR	- Adjustment thermostat/pressure switch
TS	- Safety thermostat/pressure switch
Y	- Gas regulation valve + gas safety valve
YVPS	- Gas valve leak detection control device
XPA	- Air pressure switch connector
XP1	- Modulation kit socket
XP2	- Maximum gas pressure switch connector
XP4	- 4-pole socket
XP5	- 5-pole socket
XP6	- 6-pole socket
XP7	- 7-pole socket
XRWF	- Output power regulator RWF40 terminal strip
XSM	- Servomotor connector
XTB	- Shelf earth
XTM	- Fan assembly earth
XTS	- Servomotor assembly earth
X2	- 2-pin plug
X4	- 4-pin plug
X5	- 5-pin plug
X6	- 6-pin plug
X7	- 7-pin plug
X9	- 9-pin plug

LEYENDA ESQUEMAS ELÉCTRICOS

A	- Caja de control eléctrica
B	- Filtro antiinterferencias radio
B1	- Regulador de potencia RWF40
BA	- Entrada en corriente 4...20 mA DC
BA1	- Entrada en corriente 4...20 mA DC para modificar setpoint a distancia
+BB	- Componentes a bordo de los quemadores
+BC	- Componentes a bordo de la caldera
BP	- Sonda de presión
BP1	- Sonda de presión
BR	- Potenciómetro setpoint a distancia
BT1	- Sonda a termopar
BT2	- Sonda Pt100 de 2 hilos
BT3	- Sonda Pt100 de 3 hilos
BT4	- Sonda Pt100 de 4 hilos
BTEXT	- Sonda externa para la compensación climática del setpoint
BV	- Entrada en tensión 0...10 V DC
BV1	- Entrada en tensión 0...10 V DC para modificar setpoint a distancia
C1	- Condensador
CN1	- Conector para sonda de ionización
CN2	- Conector
CN3	- Conector
F1	- Relé térmico motor ventilador
H	- Señalización de bloqueo a distancia
H1	- Bloqueo YVPS
IN	- Interruptor parada manual del quemador
ION	- Sonda de ionización
h1	- Cuentahoras
K1	- Relé
KM	- Contador motor
MV	- Motor ventilador
PA	- Presostato aire
PGM	- Presostato gas de máxima
PGMin	- Presostato gas de mínima
Q1	- Interruptor seccionador trifásico
Q2	- Interruptor seccionador monofásico
RS	- Botón de desbloqueo quemador a distancia
S1	- Selector apagado / automático / manual
S2	- Selector aumento / disminución de potencia
SM	- Servomotor
TA	- Transformador de encendido
TL	- Termostato/presostato de límite
TR	- Termostato/presostato de regulación
TS	- Termostato/presostato de seguridad
Y	- Válvula de regulación gas + válvula de seguridad gas
YVPS	- Dispositivo de control de estanqueidad válvula gas
XPA	- Conector presostato aire
XP1	- Conector hembra para kit modulación
XP2	- Conector presostato gas de máxima
XP4	- Conector hembra de 4 contactos
XP5	- Conector hembra de 5 contactos
XP6	- Conector hembra de 6 contactos
XP7	- Conector hembra de 7 contactos
XRWF	- Conector regulador de potencia RWF40
XSM	- Conector servomotor
XTB	- Tierra ménsula
XTM	- Tierra grupo ventilador
XTS	- Tierra grupo servomotor
X2	- Conector macho de 2 contactos
X4	- Conector macho de 4 contactos
X5	- Conector macho de 5 contactos
X6	- Conector macho de 6 contactos
X7	- Conector macho de 7 contactos
X9	- Conector macho de 9 contactos

LEGENDA ESQUEMAS ELÉCTRICOS

A	- Caixa de controlo eléctrica
B	- Filtro contra radio-interferências
B1	- Regulador de potência RWF40
BA	- Entrada em corrente 4...20 mA DC
BA1	- Entrada em corrente 4...20 mA DC para modificação do ponto de referência remoto
+BB	- Componentes bordo queimadores
+BC	- Componentes bordo caldeira
BP	- Sonda de pressão
BP1	- Sonda de pressão
BR	- Potenciómetro ponto de referência remoto
BT1	- Sonda por termopar
BT2	- Sonda Pt100 de 2 fios
BT3	- Sonda Pt100 de 3 fios
BT4	- Sonda Pt100 de 4 fios
BTEXT	- Sonda externa para a compensação climática do ponto de referência
BV	- Entrada em tensão 0...10 V DC
BV1	- Entrada em tensão 0...10 V DC para modificação do ponto de referência remoto
C1	- Condensador
CN1	- Conector sonda de ionização
CN2	- Conector
CN3	- Conector
F1	- Relé térmico motor ventilador
H	- Sinalização de bloqueio remoto
H1	- Bloqueio YVPS
IN	- Interruptor paragem manual queimador
ION	- Sonda de ionização
h1	- Conta-horas
K1	- Relé
KM	- Contactador motor
MV	- Motor ventilador
PA	- Pressostato de ar
PGM	- Pressostato gás de máxima
PGMin	- Pressostato de gás de mínima
Q1	- Interruptor seccionador trifásico
Q2	- Interruptor seccionador monofásico
RS	- Botão de desbloqueio queimador a distância
S1	- Selector desligado / automático / manual
S2	- Selector aumento / diminuição potência
SM	- Servomotor
TA	- Transformador de acendimento
TL	- Termóstato/pressostato de limite
TR	- Termóstato/pressostato de regulação
TS	- Termóstato/pressostato de segurança
Y	- Válvula de regulação gás + válvula de segurança gás
YVPS	- Dispositivo de controlo da estanquidade das válvulas gás
XPA	- Conector pressostato de ar
XP1	- Tomada para kit modulação
XP2	- Conector pressostato gás de máxima
XP4	- Tomada de 4 pólos
XP5	- Tomada de 5 pólos
XP6	- Tomada de 6 pólos
XP7	- Tomada de 7 pólos
XRWF	- Conector regulador de potência RWF40
XSM	- Conector servomotor
XTB	- Terra consola
XTM	- Terra grupo ventilador
XTS	- Terra grupo servomotor
X2	- Ficha de 2 pólos
X4	- Ficha de 4 pólos
X5	- Ficha de 5 pólos
X6	- Ficha de 6 pólos
X7	- Ficha de 7 pólos
X9	- Ficha de 9 pólos

RIELLO

RIELLO S.p.A.
I-37045 Legnago (VR)
Tel.: +39.0442.630111
[http:// www.riello.it](http://www.riello.it)
[http:// www.rielloburners.com](http://www.rielloburners.com)